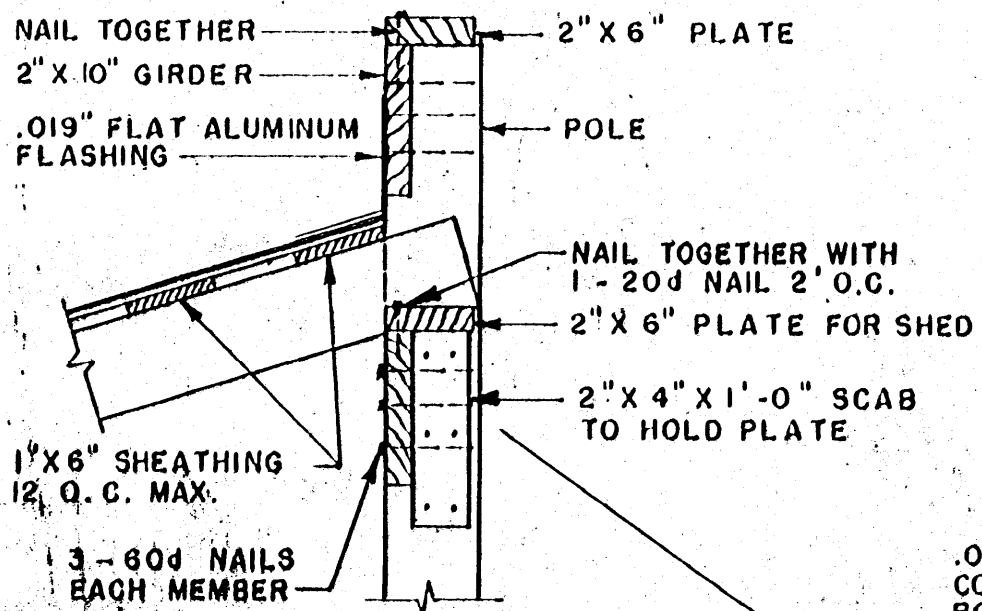


DETAILS OF MANGER

SCALE 1/2" = 1'-0"

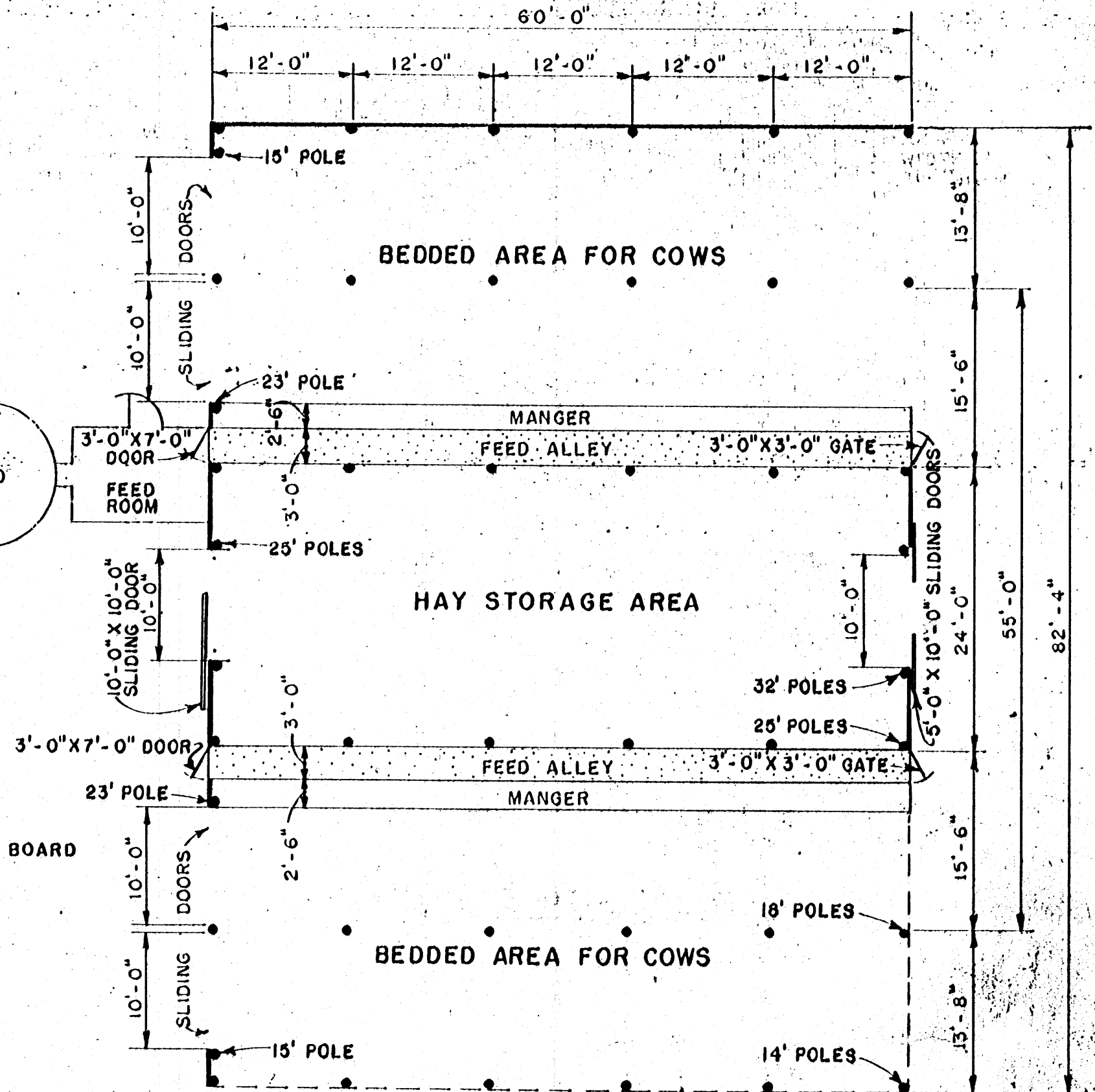


FRAMING DETAIL

SCALE 1" = 1'-0"

LENGTH REQUIRED FOR DAIRY CATTLE
 FLOOR AREA IN BEDDED AREA, INCLUDING MANGER, MUST BE AT LEAST 80 SQ. FT. FOR EACH DAIRY COW. ALLOW 3 FT. OF MANGER SPACE PER COW.

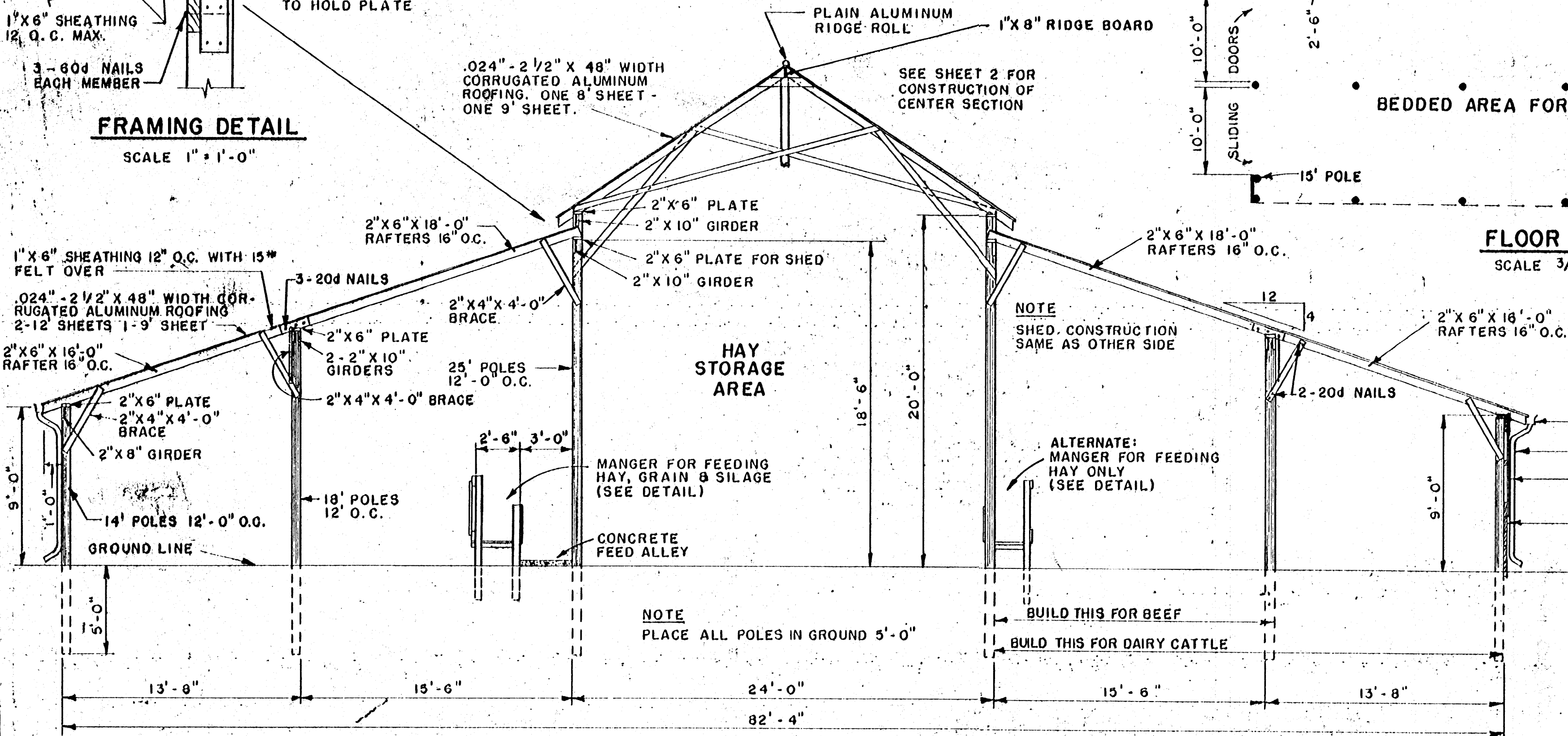
LENGTH REQUIRED FOR BEEF CATTLE
 PROVIDE 3 FT. OF MANGER SPACE PER HEAD.



FLOOR PLAN

SCALE 3/32" = 1'-0"

NOTES:
 SUGGESTED ORIENTATION SHOWN BY ARROW
 1. LEAVE SIDING OFF SOUTH AND EAST SIDES.
 2. LENGTH MAY BE INCREASED AS DESIRED



CROSS SECTION

SCALE 3/16" = 1'-0"

NOTE
 SHED CONSTRUCTION SAME AS OTHER SIDE

ALTERNATE:
 MANGER FOR FEEDING HAY ONLY (SEE DETAIL)

NOTE
 PLACE ALL POLES IN GROUND 5'-0"

BUILD THIS FOR BEEF
BUILD THIS FOR DAIRY CATTLE

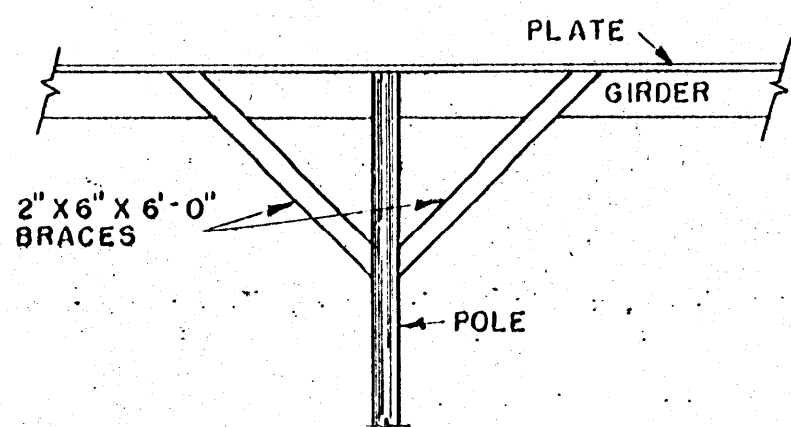
- 5" OGEE ALUMINUM GUTTER
- ALUMINUM DOWNSPOUT
- 6' SHEETS ALUMINUM SIDING .024" THICK 2 1/2" CORRUGATED 48" WIDE
- 5- 2" X 10" PLANK TREATED WITH WOOD PRESERVATIVE

NOTE:
 ALL METAL COVERED BUILDINGS SHOULD BE GROUNDED.
 DRILL LEAD HOLES FOR ALL 60d NAILS.
 ALL POLES TO BE PRESSURE TREATED WITH WOOD PRESERVATIVE & HAVE A MIN. TOP DIA. OF 6" UNLESS OTHERWISE NOTED.

COOPERATIVE EXTENSION WORK IN AGRICULTURE AND HOME ECONOMICS
 STATE OF MISSISSIPPI
 MISSISSIPPI STATE UNIVERSITY
 AND
 UNITED STATES DEPARTMENT OF AGRICULTURE COOPERATING

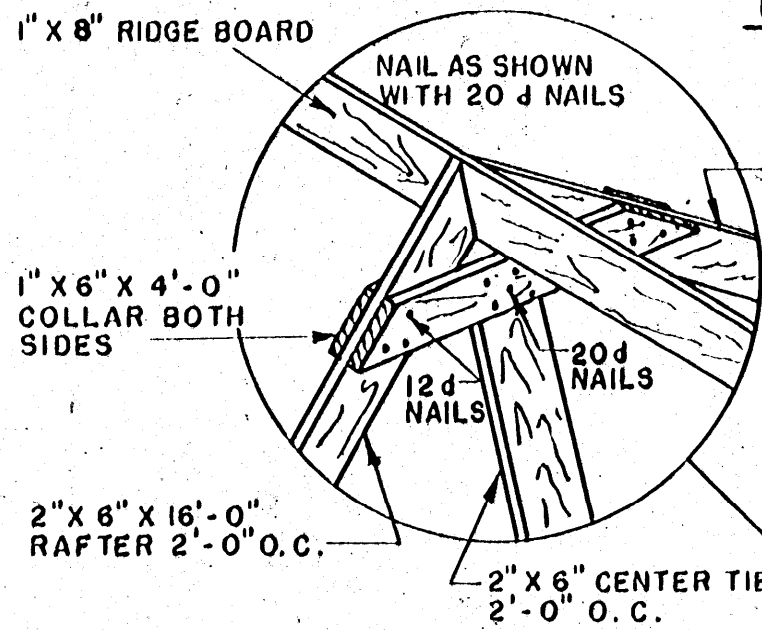
CATTLE FEEDING BARN

VA - 55 EX. 5765-A SHEET 1 OF 3



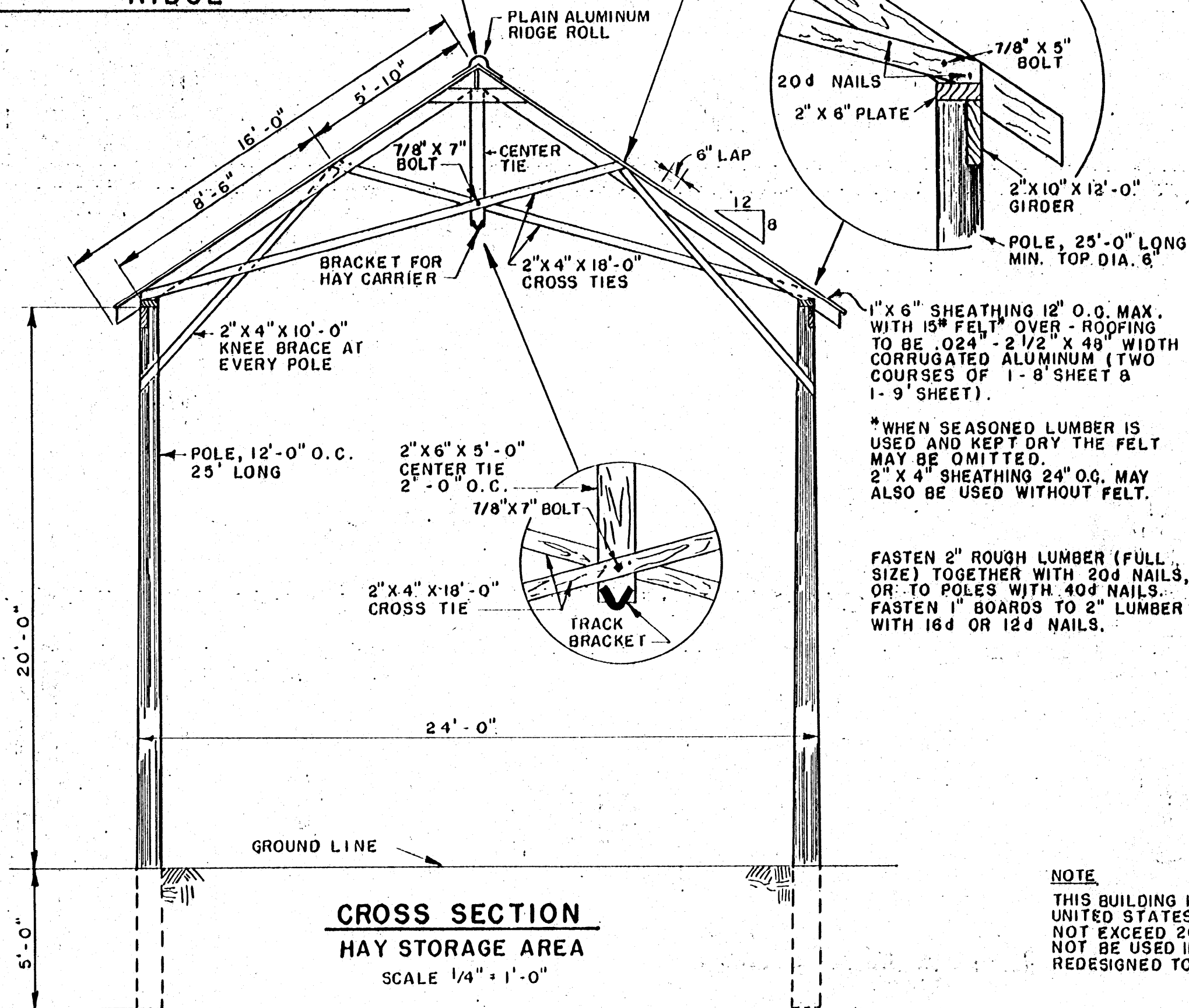
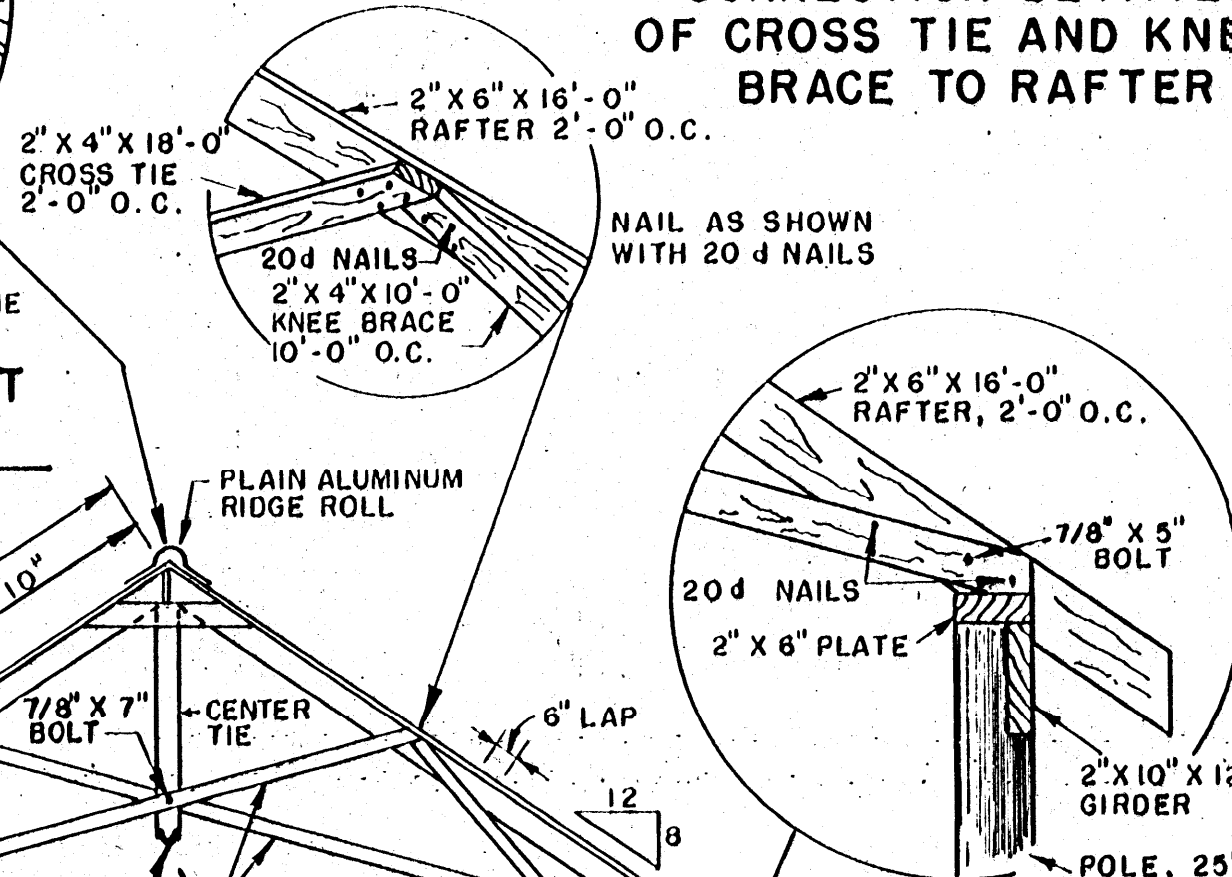
BRACING OF SHED POLE

SCALE 1/4" = 1'-0"



DETAIL OF RAFTER FRAMING AT RIDGE

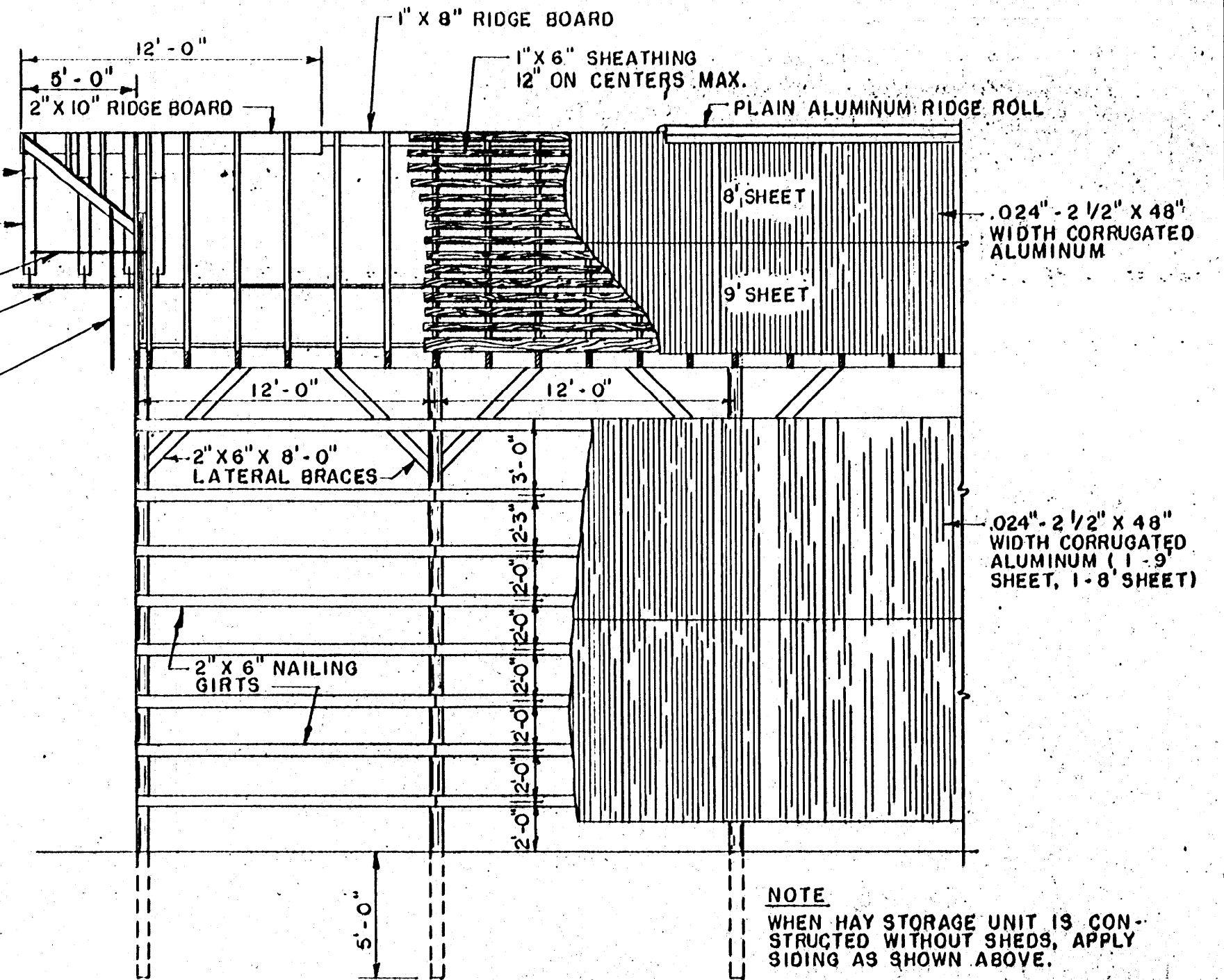
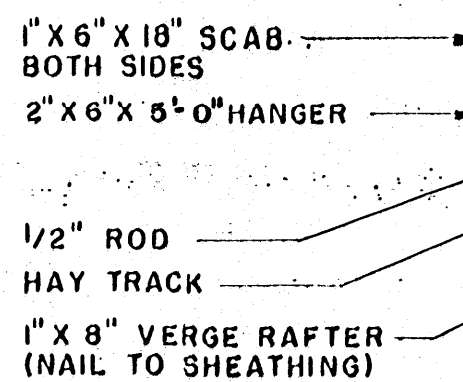
CONNECTION DETAILS OF CROSS TIE AND KNEE BRACE TO RAFTER



CROSS SECTION

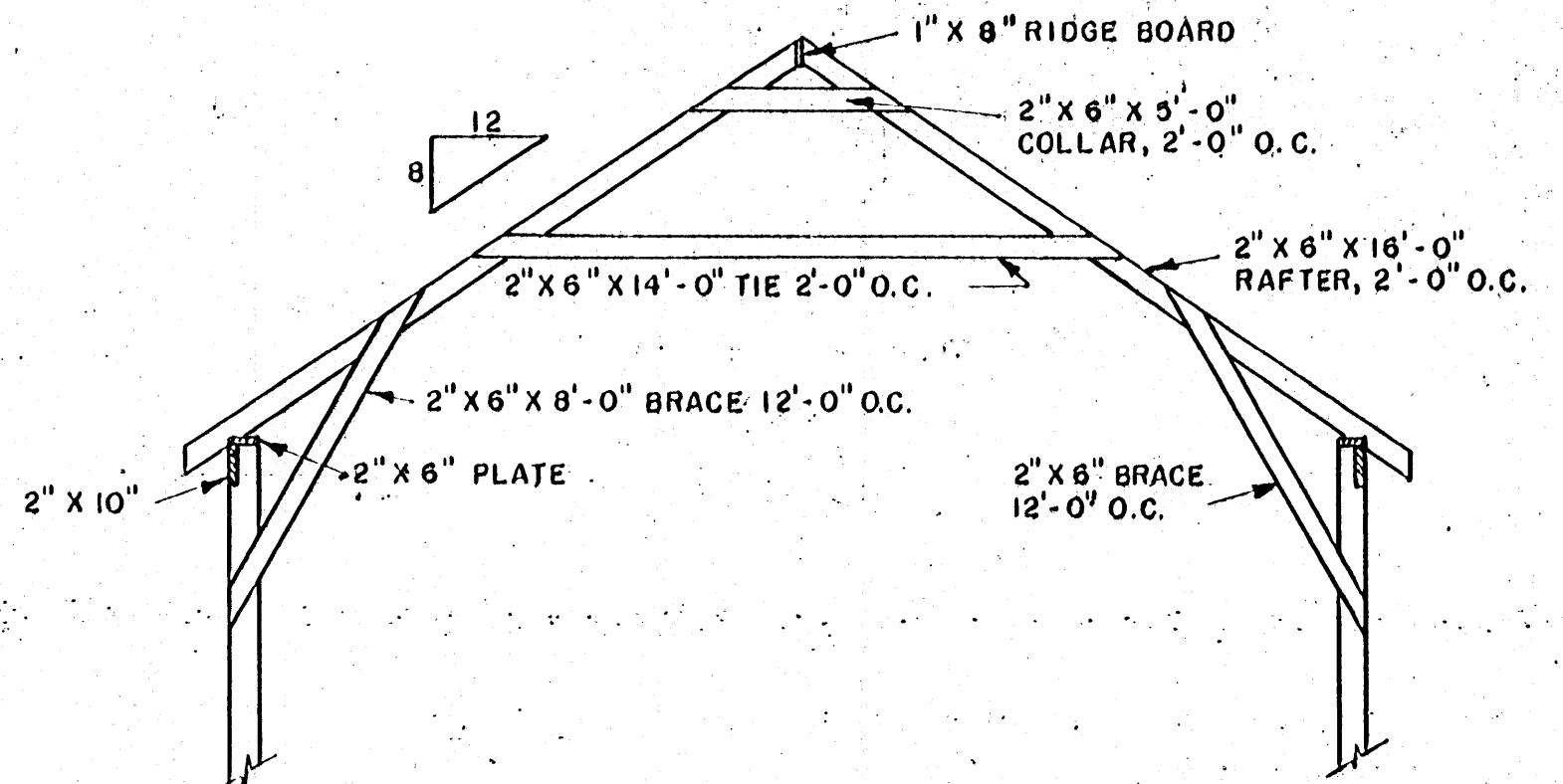
HAY STORAGE AREA

SCALE 1/4" = 1'-0"



DETAILS OF SIDE FRAMING

SCALE 3/16" = 1'-0"



ROOF FRAMING WHEN HAY TRACK IS NOT REQUIRED

SCALE 1/4" = 1'-0"

NOTE

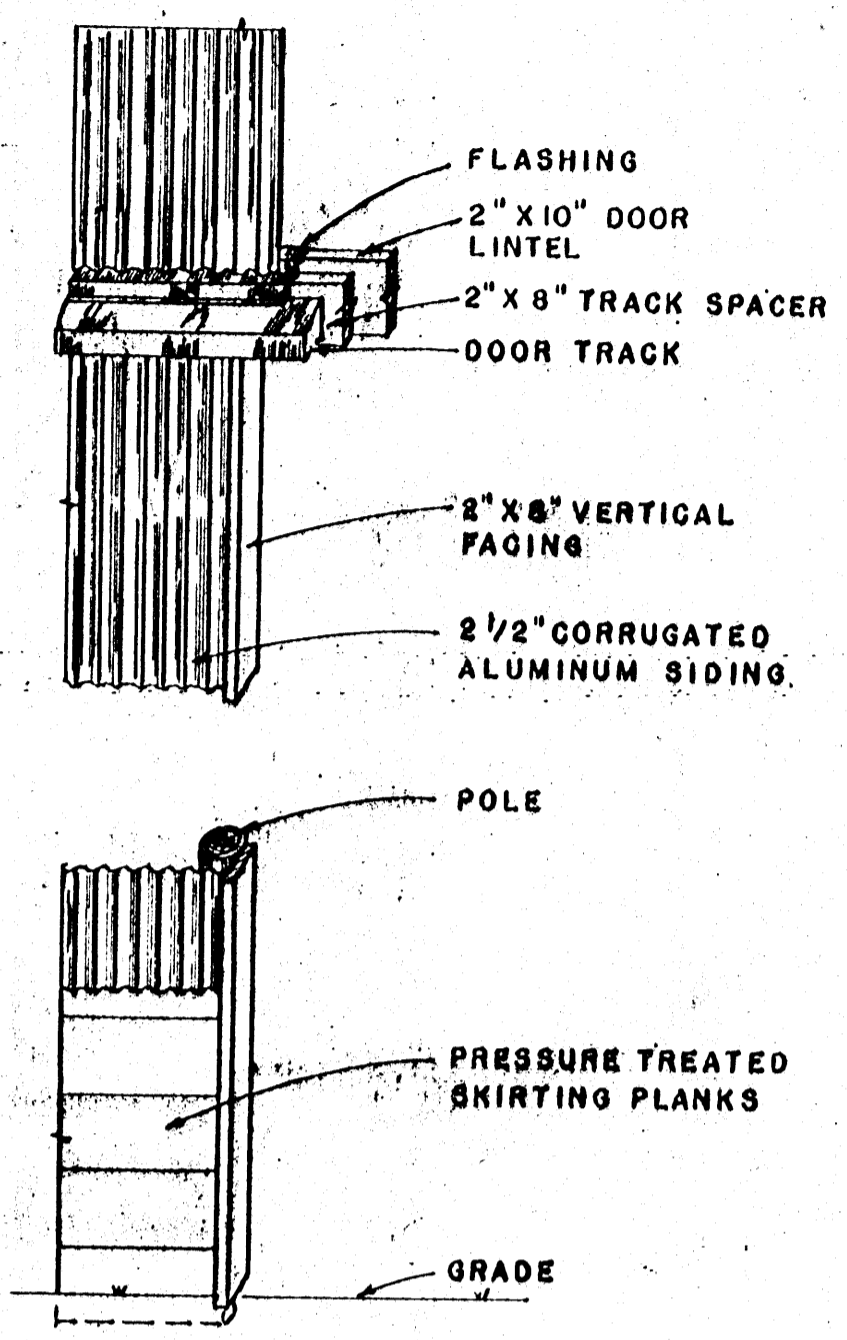
THIS BUILDING IS DESIGNED FOR AREAS OF THE SOUTHERN UNITED STATES WHERE THE MAXIMUM ROOF LOAD WILL NOT EXCEED 20 POUNDS PER SQUARE FOOT. IT SHOULD NOT BE USED IN OTHER AREAS UNLESS FRAMING IS REDESIGNED TO MEET LOCAL CONDITIONS.

COOPERATIVE EXTENSION WORK IN
 AGRICULTURE AND HOME ECONOMICS
 STATE OF MISSISSIPPI
 MISSISSIPPI STATE UNIVERSITY
 AND
 UNITED STATES DEPARTMENT OF AGRICULTURE COOPERATING

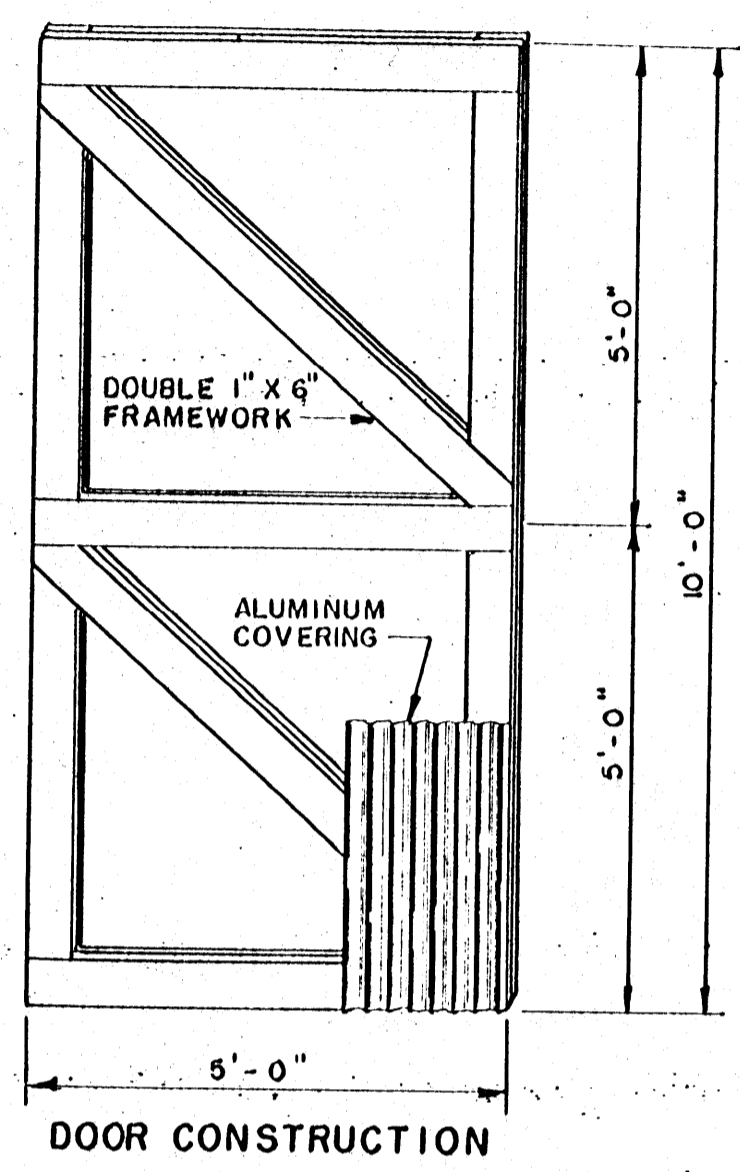
CATTLE FEEDING BARN.

VA-55 EX. 5765-A SHEET 2 OF 3

Apr. 58



NOTE
 BUILD DOOR FRAME OF DOUBLE LAYER OF 1" X 6" LUMBER OVERLAPPED AT CORNERS. COVER FRAME WITH 2 1/2" CORRUGATED ALUMINUM.



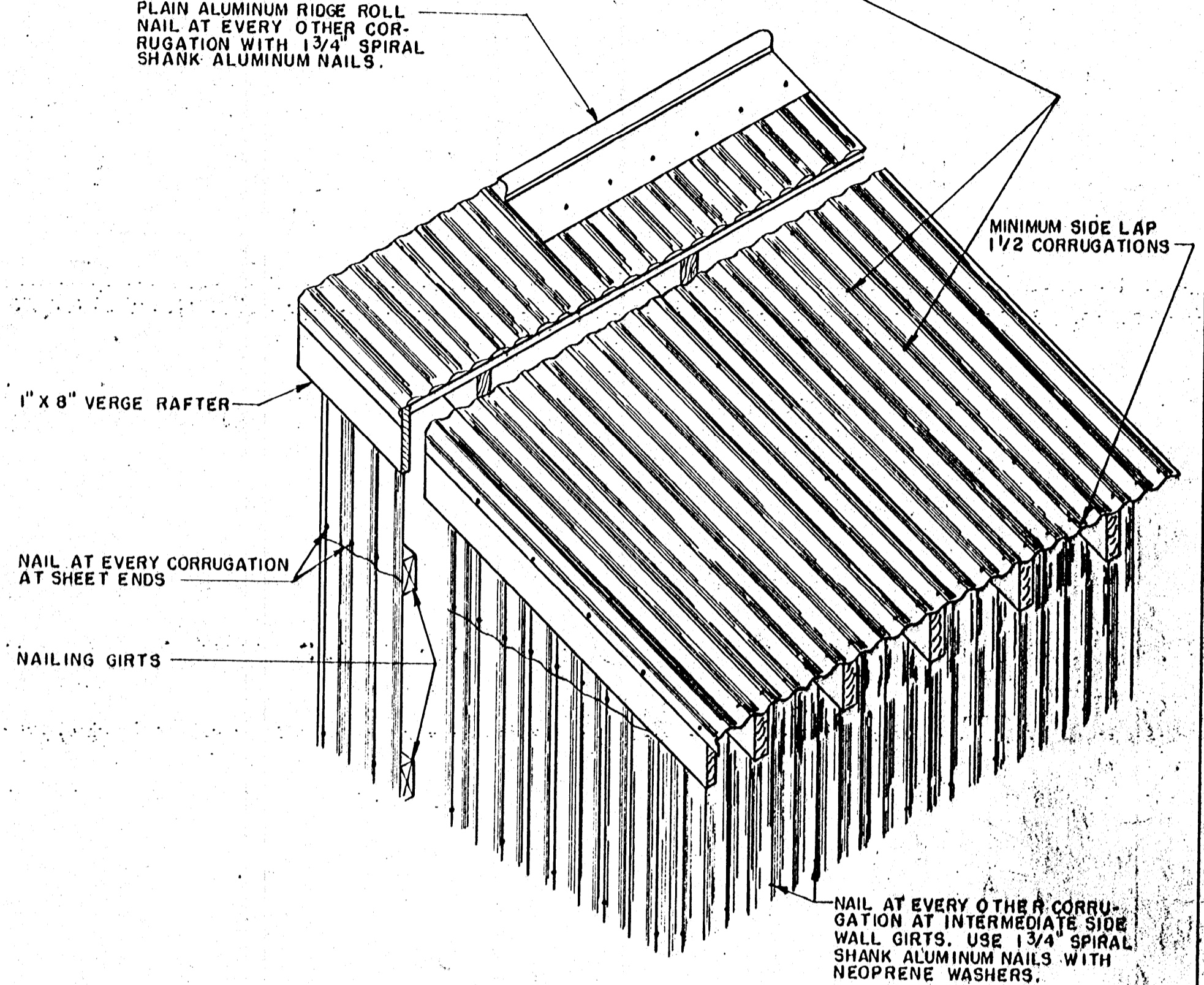
DOORWAY FRAMING

DOOR CONSTRUCTION

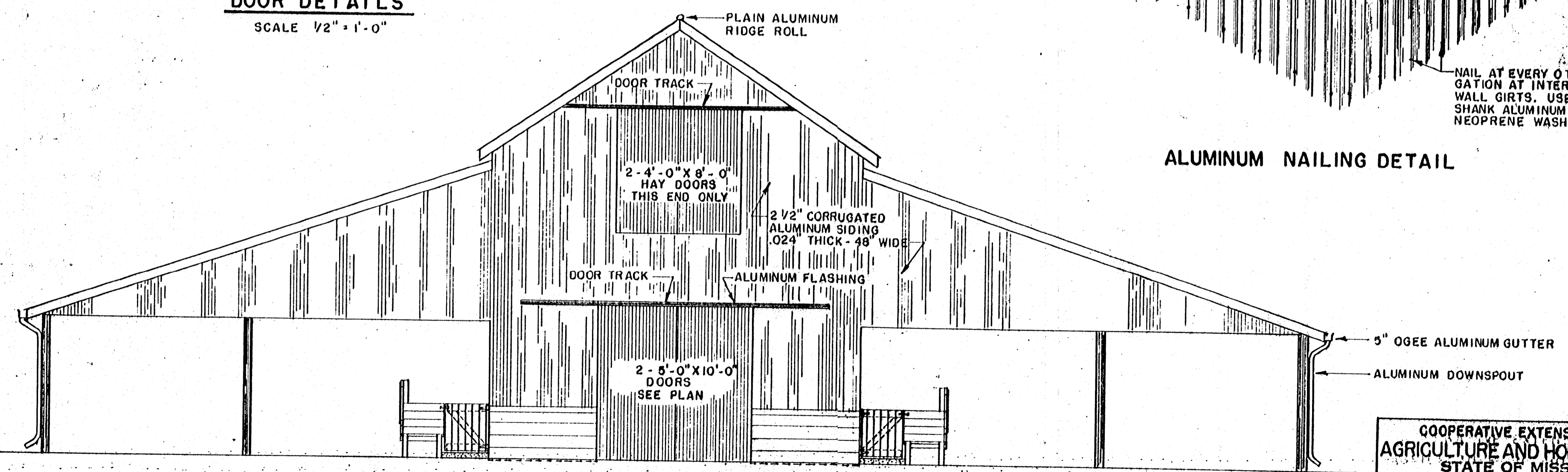
DOOR DETAILS
 SCALE 1/2" = 1'-0"

NAIL AT EVERY CORRUGATION AT EAVES AND END LAPS, AND 12" CENTERS AT SIDE LAPS, ON 8' SHEETS, PLACE TWO ROWS OF 4 EQUALLY SPACED NAILS VERTICALLY ALONG EACH SHEET, 16" IN FROM THE SIDE LAPS, FOR 9' SHEETS OR LONGER, PLACE 6 NAILS IN EACH ROW.

PLAIN ALUMINUM RIDGE ROLL NAIL AT EVERY OTHER CORRUGATION WITH 1 3/4" SPIRAL SHANK ALUMINUM NAILS.



ALUMINUM NAILING DETAIL



EAST END ELEVATION
 SCALE 3/16" = 1'-0"

COOPERATIVE EXTENSION WORK IN AGRICULTURE AND HOME ECONOMICS
 STATE OF MISSISSIPPI
 MISSISSIPPI STATE UNIVERSITY
 AND
 UNITED STATES DEPARTMENT OF AGRICULTURE COOPERATING

CATTLE FEEDING BARN

VA-55 EX. 5765-A SHEET 3 OF 3