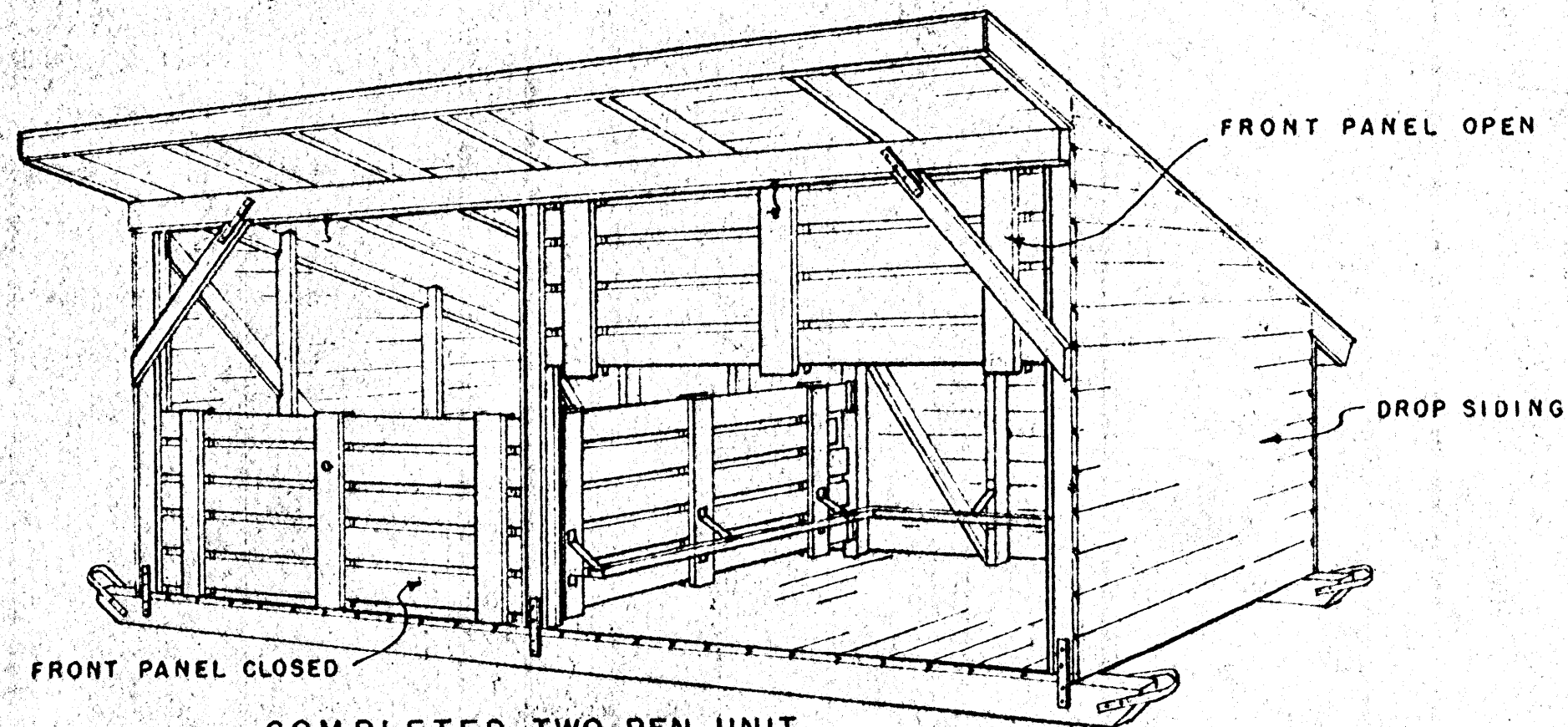
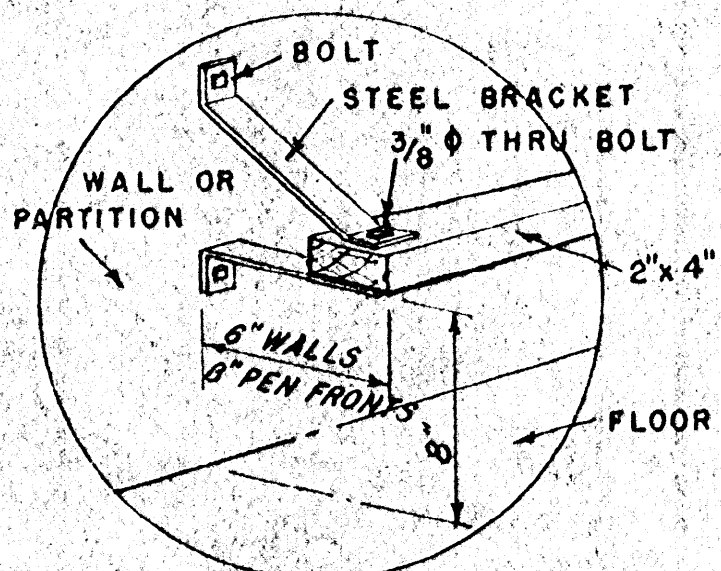


METAL ANCHOR STRAP

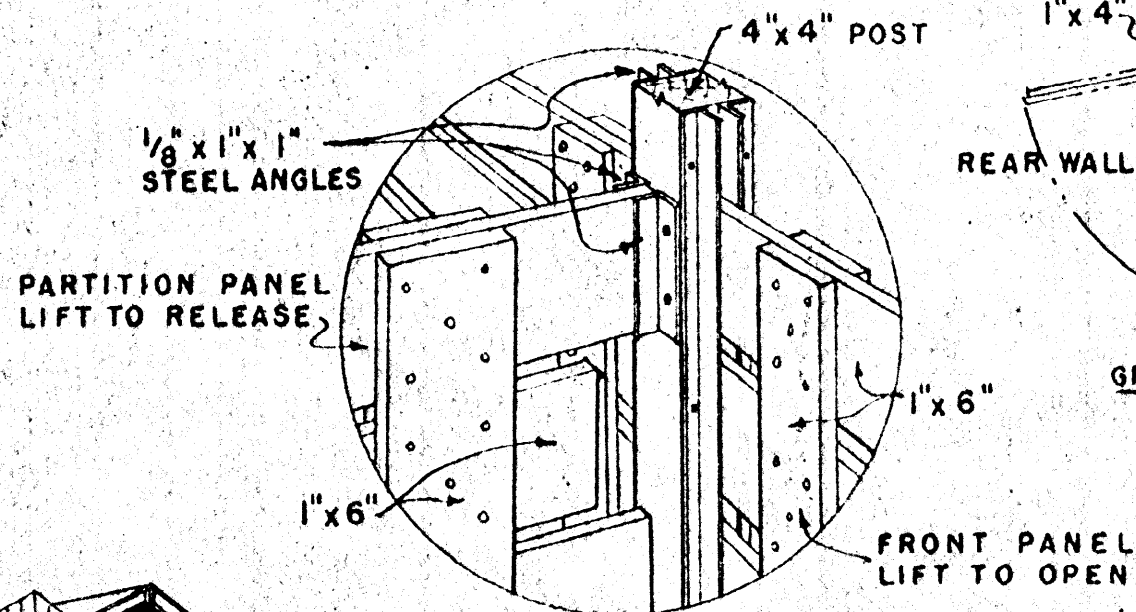
PERSPECTIVE OF FRAMING



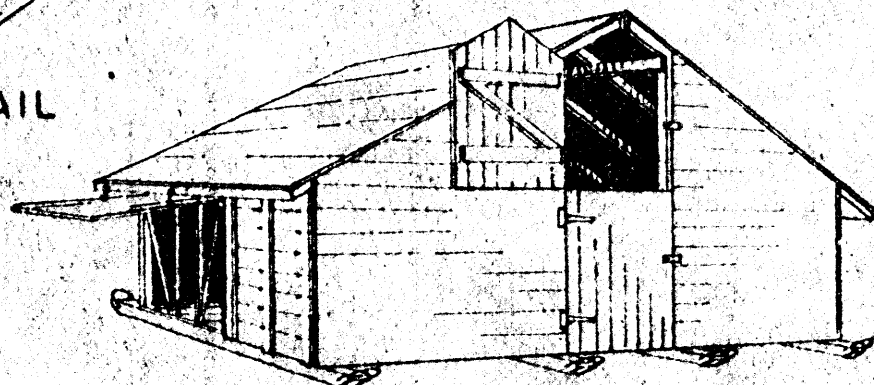
COMPLETED TWO-PEN UNIT  
SHOWING OPERATION OF FRONT PANELS



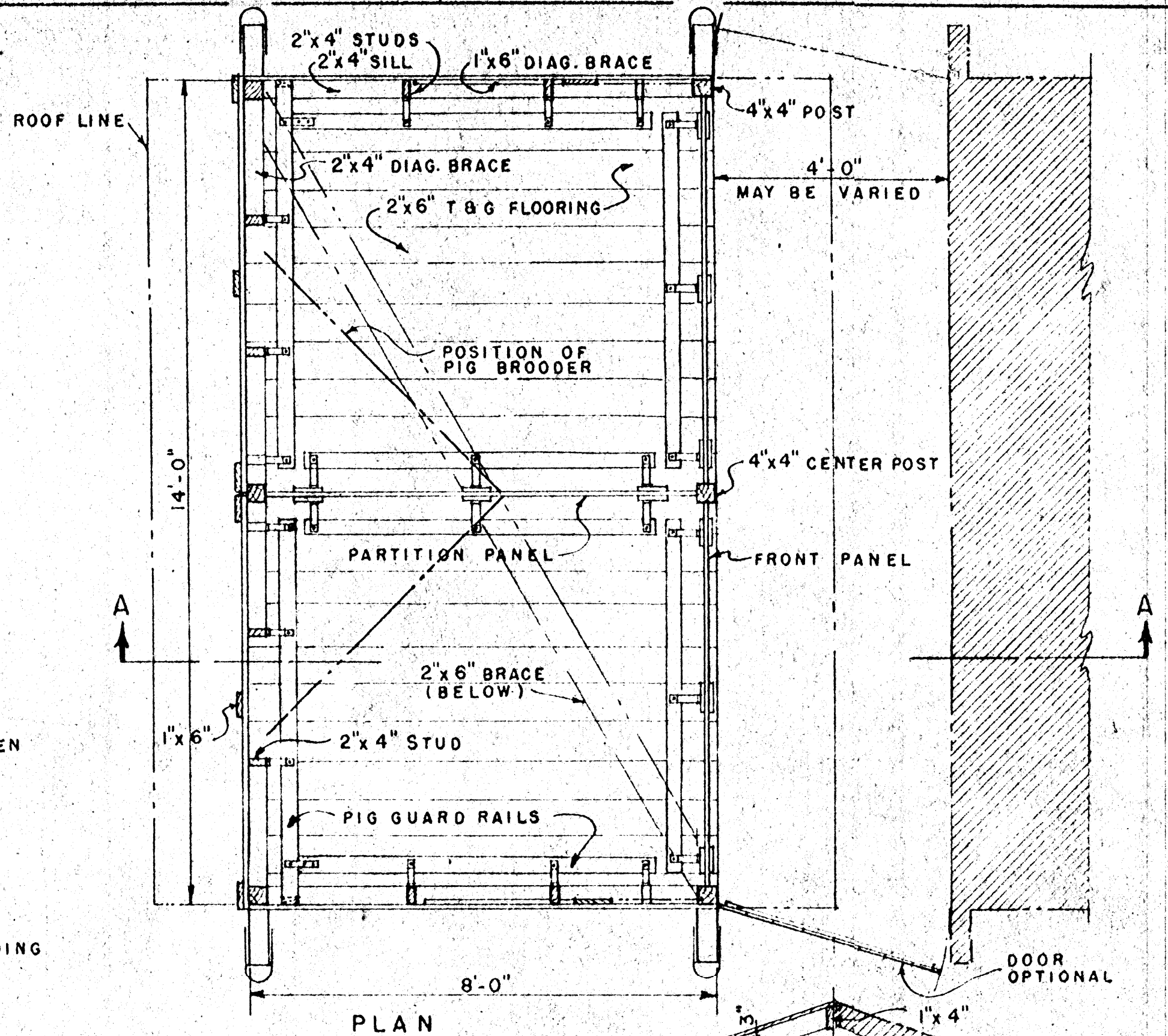
GUARD RAIL DETAIL



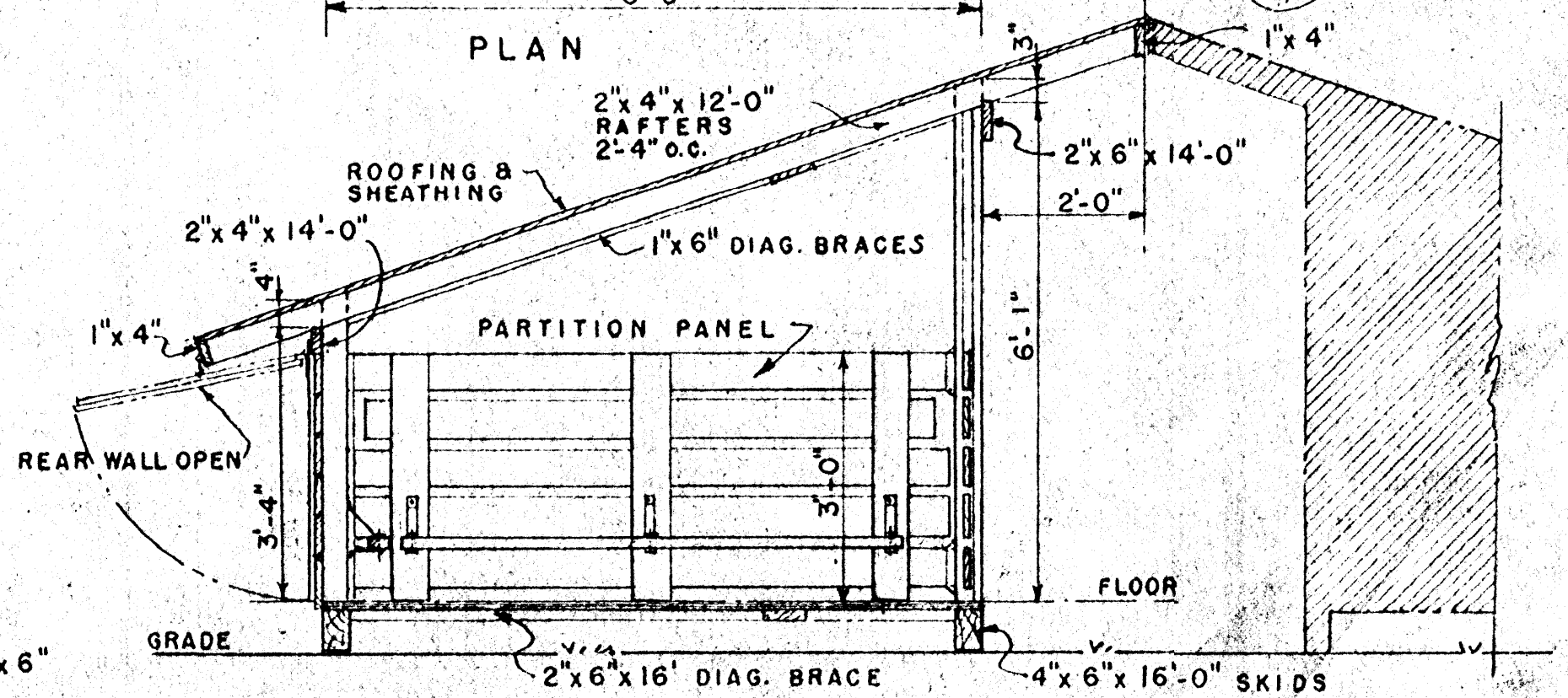
CENTER POST DETAIL



TWO UNIT FOUR-PEN HOUSE



PLAN



SECTION A-A  
SCALE: 1/2" = 1'-0"

NOTE: USE 55" WIDE SALVAGE ROLL ROOFING OVER SOLID SHEATHING, OR CORRUGATED METAL ROOFING OVER 1" x 6" NAILING STRIPS SPACED ACCORDING TO MANUFACTURER'S RECOMMENDATIONS.

SKIDS SHOULD BE PRESSURE-TREATED WITH PRESERVATIVE.

FOR DETAILS OF ELECTRIC PIG BROODERS, SEE PLAN NO. 5788

COOPERATIVE EXTENSION WORK IN		
AGRICULTURE AND HOME ECONOMICS		
STATE OF MISSISSIPPI		
MISSISSIPPI STATE UNIVERSITY		
AND		
UNITED STATES DEPARTMENT OF AGRICULTURE COOPERATING		
MOVABLE HOG HOUSE		
(TWO-PEN 8'x14' UNIT)		
USDA '54	EX. 5787	SHEET 1 OF 1