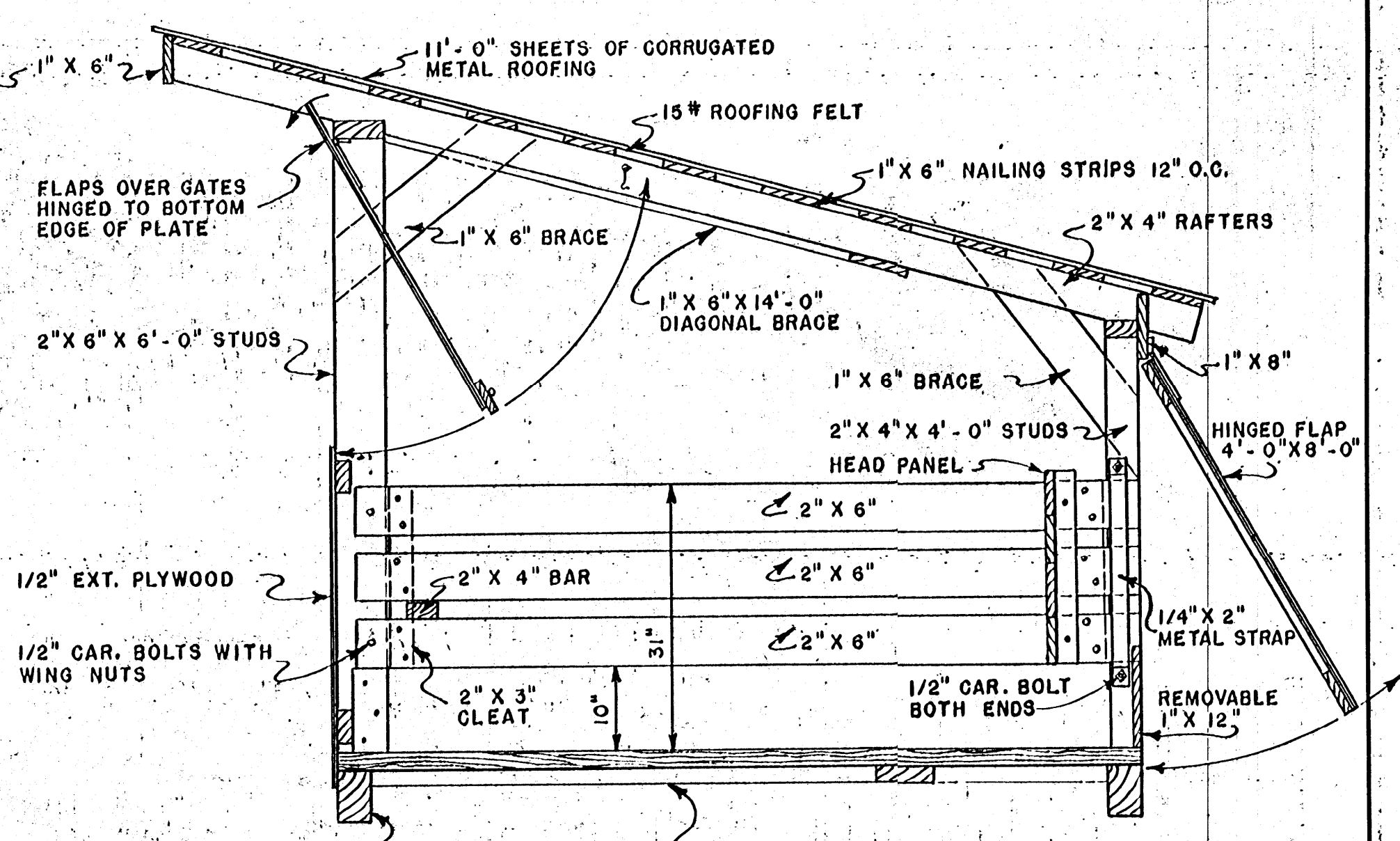
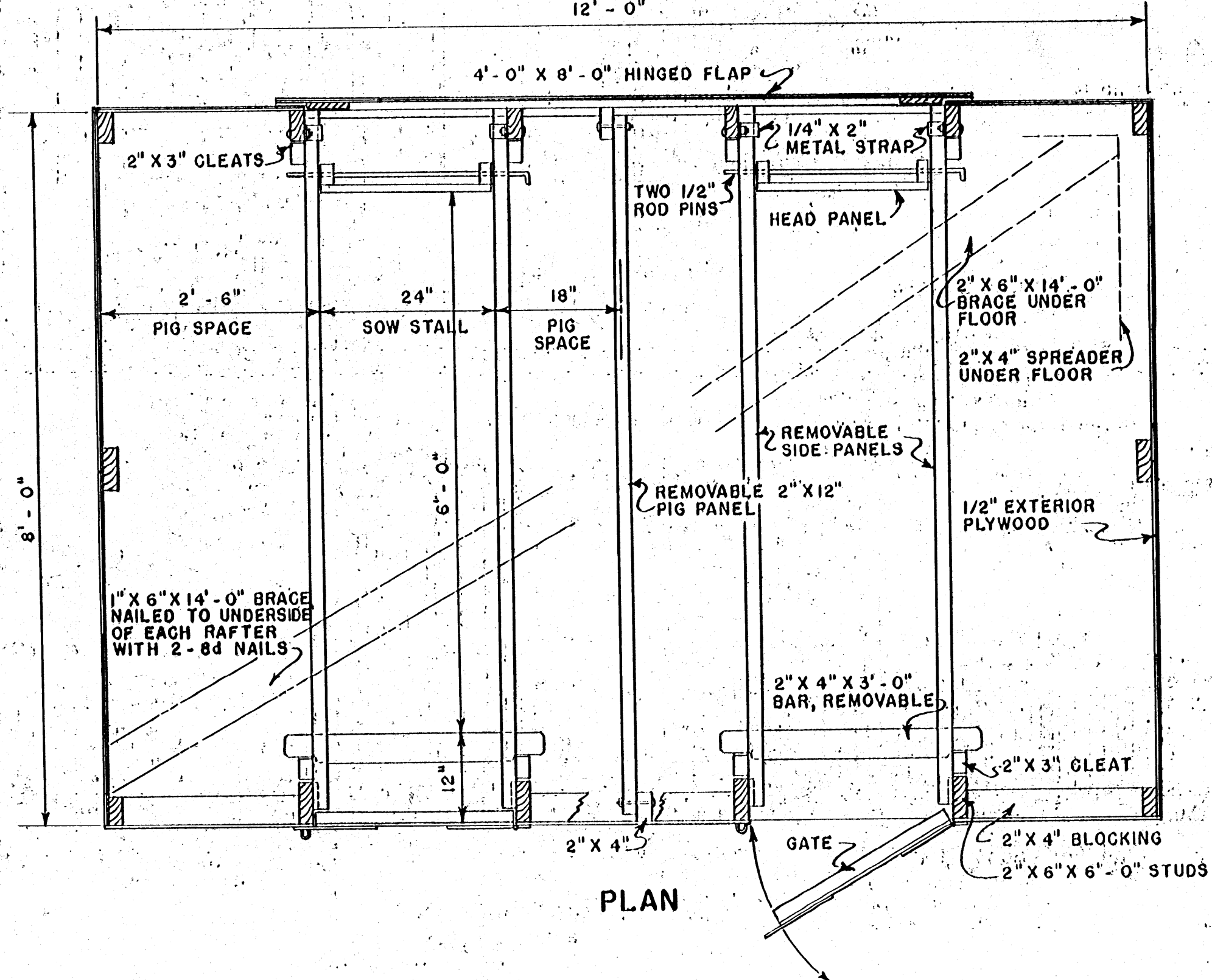


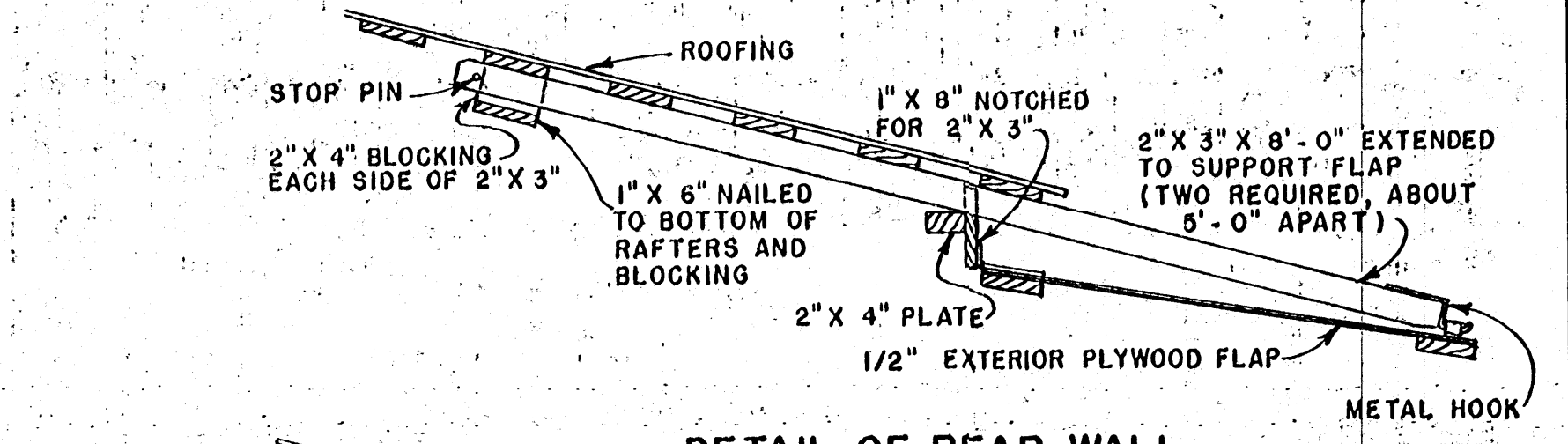
2" T & G TREATED FLOOR WITH 2-16d NAILS EACH BOARD
FRONT ELEVATION
 (OUT AWAY TO SHOW FRAMING)



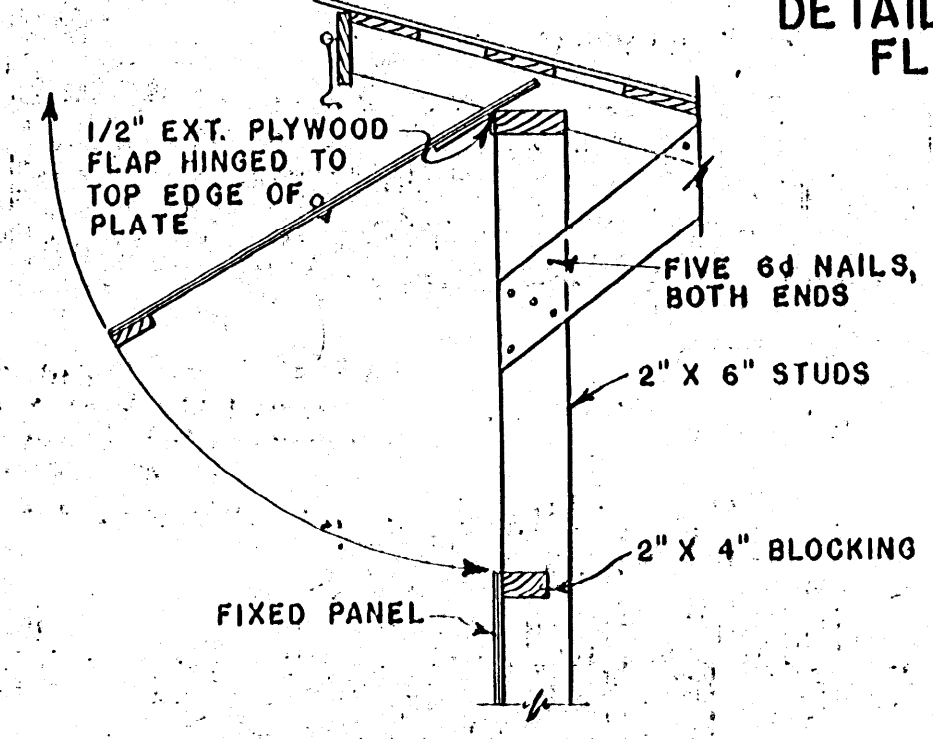
SECTION
 (THRU FARROWING STALL)



PLAN



DETAIL OF REAR WALL FLAP SUPPORT



SECTION A-A
 (FLAP OPEN)

SCALE: 3/4" = 1'-0"

COOPERATIVE EXTENSION WORK IN
 AGRICULTURE AND HOME ECONOMICS
 STATE OF MISSISSIPPI
 MISSISSIPPI STATE UNIVERSITY
 AND
 UNITED STATES DEPARTMENT OF AGRICULTURE COOPERATING
TWO PEN MOVABLE HOG HOUSE
TWO REMOVABLE FARROWING STALLS
 USDA '56 EX. 5821 SHEET 1 OF 1