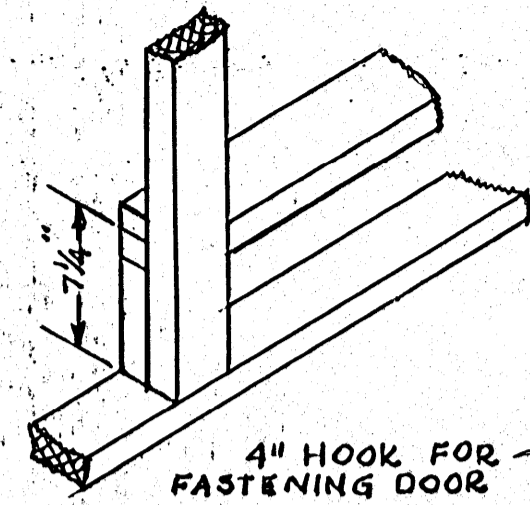
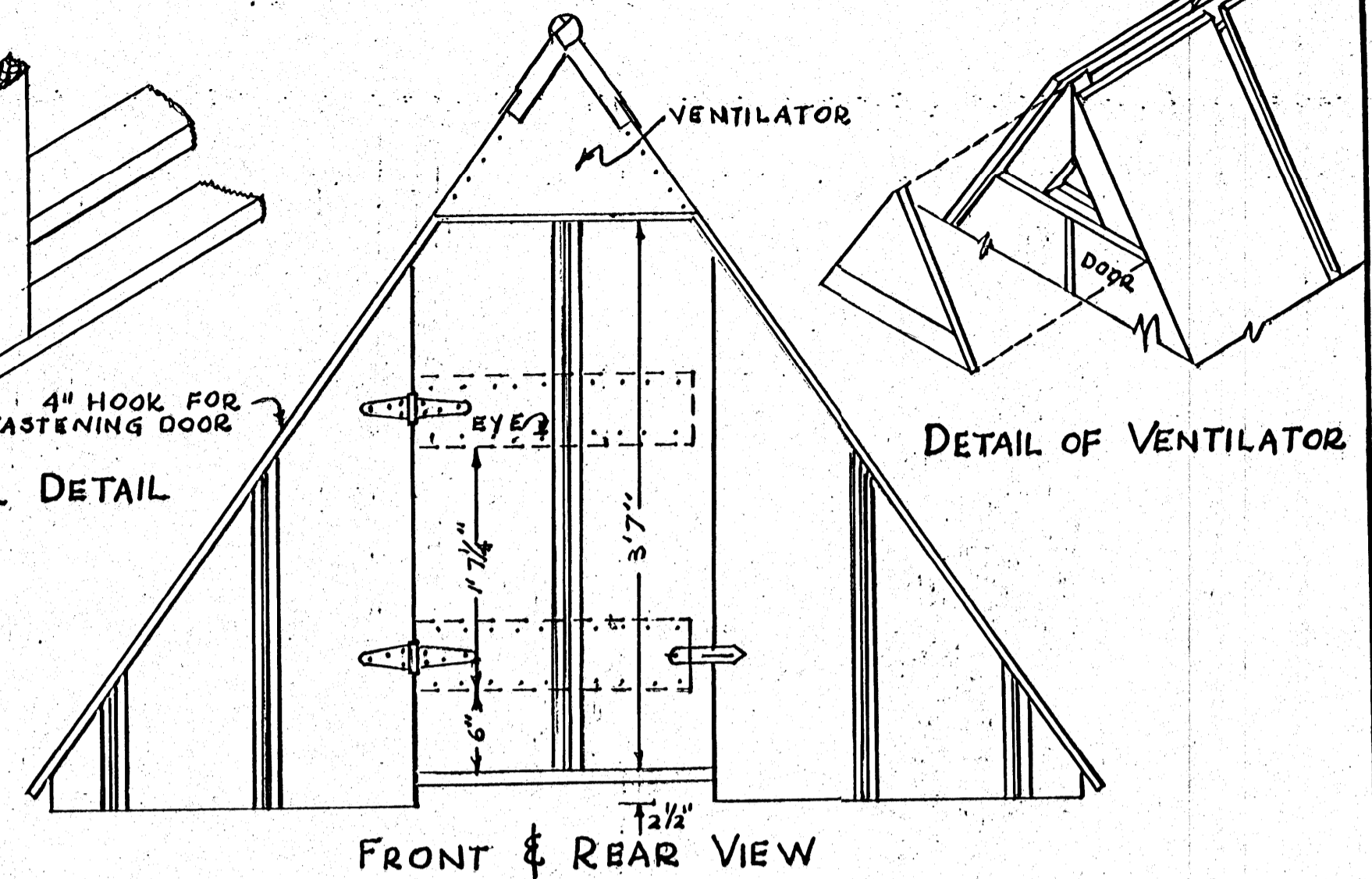


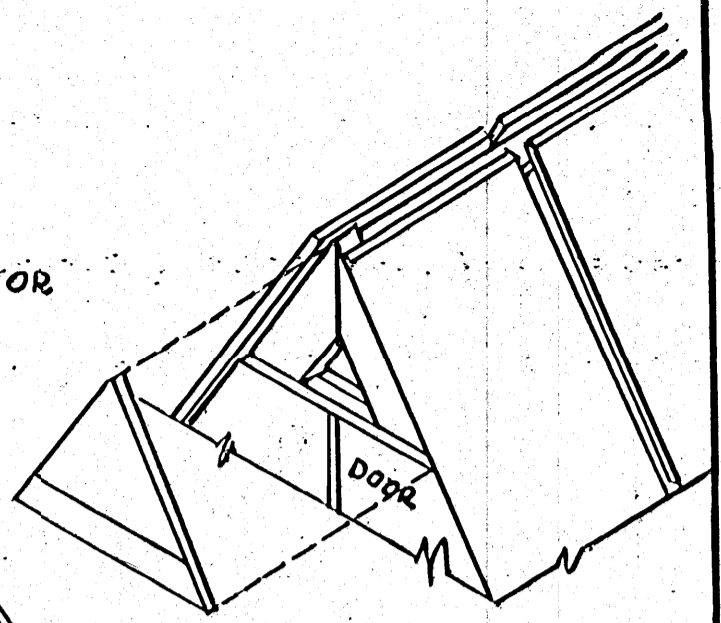
RAFTER CUTTING DETAIL



GUARD RAIL DETAIL



FRONT & REAR VIEW



DETAIL OF VENTILATOR

NOTES

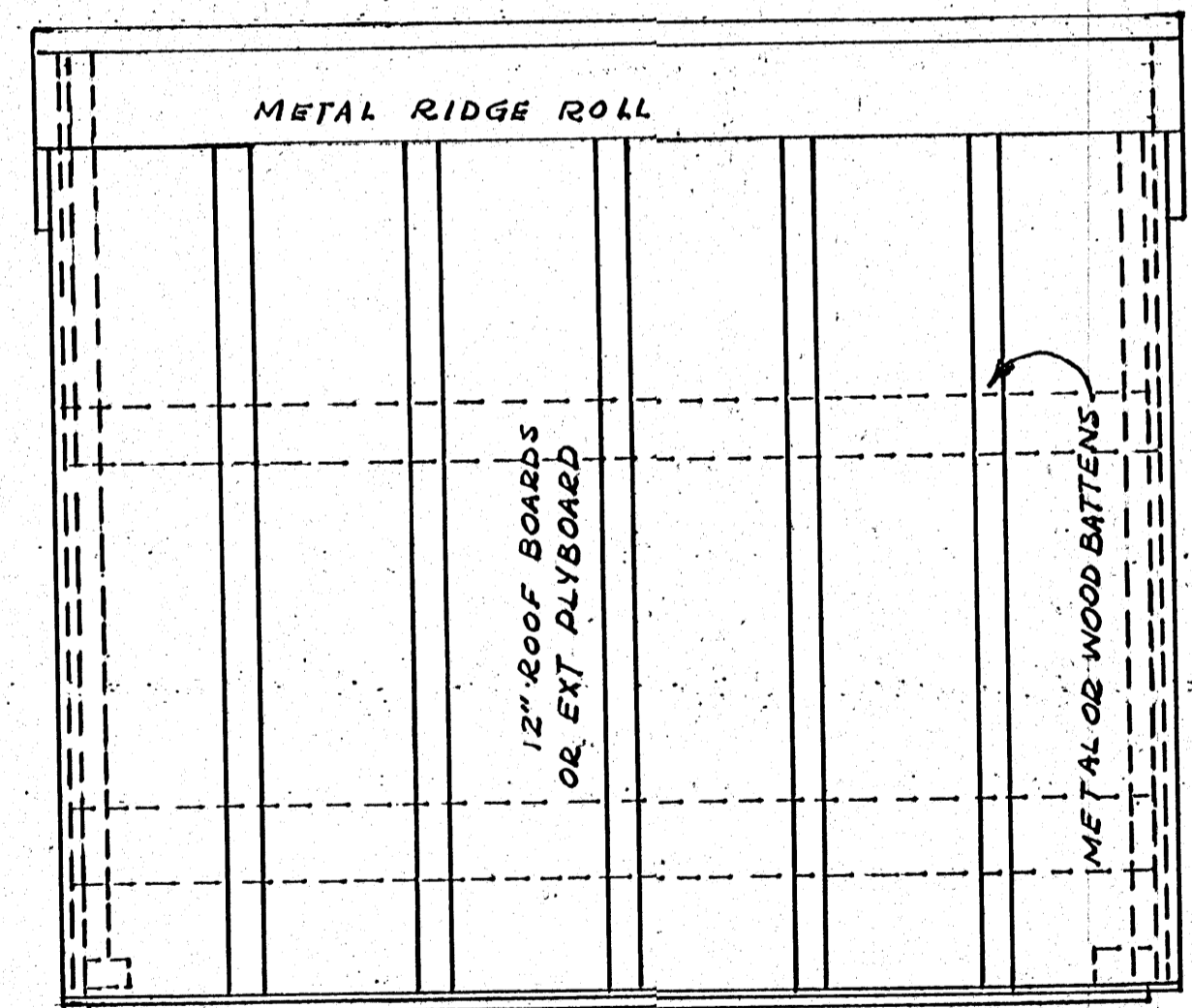
1. LENGTH MAY BE INCREASED TO 7' 0" FOR LARGER SOWS.
2. USE DOOR IN FRONT & BACK.
3. DO NOT OMIT VENTILATORS AT ENDS - THEY ARE IMPORTANT.
4. MEASURE WIDTH OF 6 ROOF BOARDS & ALLOW 5/8" CRACKS FOR METAL.
5. BATTENS - MAKE LENGTH 3/4" SHORTER THAN RESULTING DIMENSION.
6. NOTE 2" X 6" BLOCKS SUPPORTING GUARD RAIL.

BILL OF MATERIAL

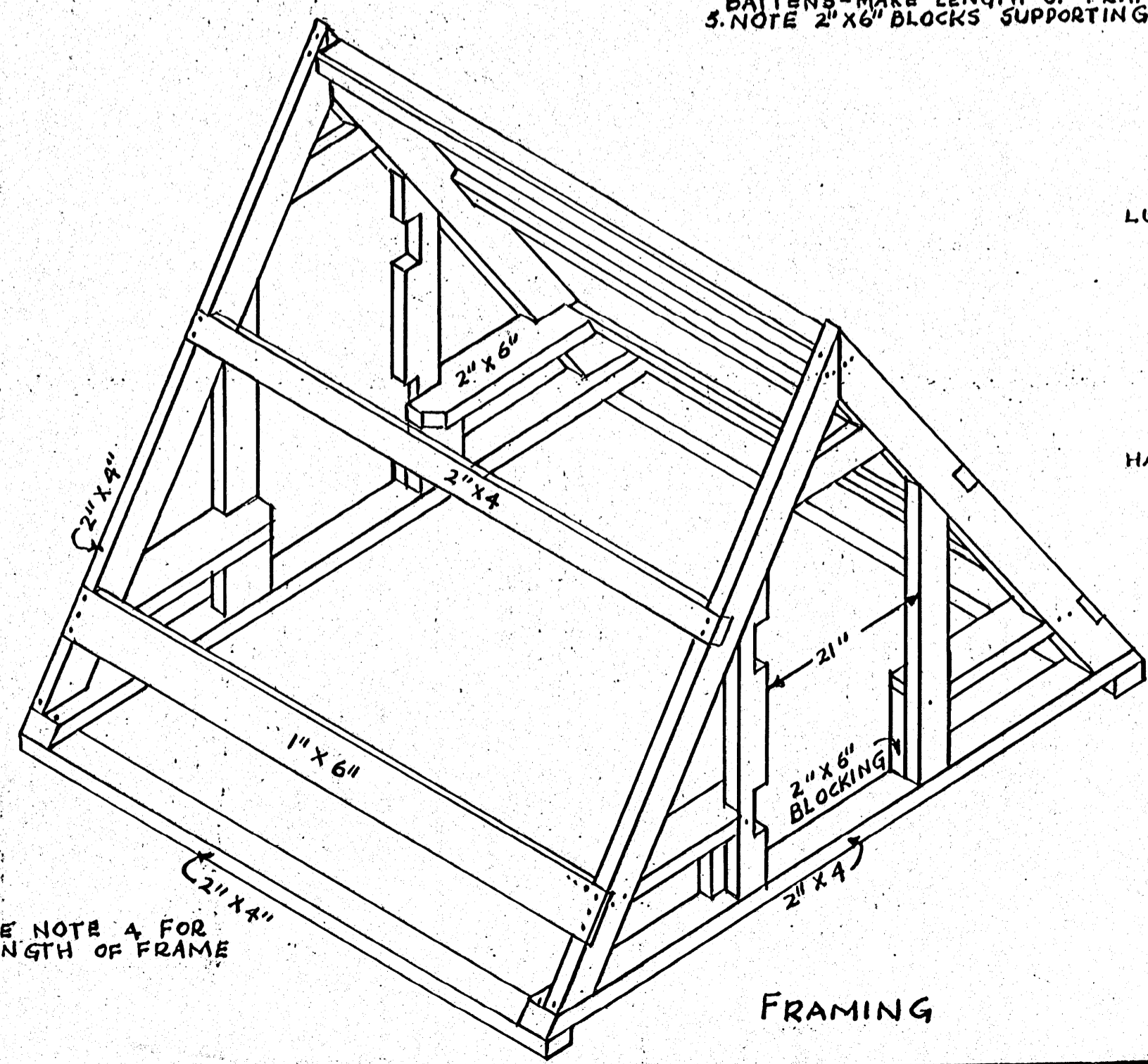
- LUMBER:
- 2- 2" X 4" X 8'-0"
 - 11- 2" X 4" X 6'-0"
 - 1- 2" X 6" X 10'-0"
 - 2- 1" X 6" X 6'-0" WESTERN WHITE PINE
 - 16- 1" X 12" X 6'-0" BARN BOARD OR EXT. PLYBOARD - TYPE BD
 - 5- 1" X 12" X 4'-0"

HARDWARE NAILS

- 2 1/2 LBS 16d COMMON
- 2 1/2 LBS 8d "
- 1 1/2 LBS 6d "
- 1 LB 3/4" GALV NAILS FOR BATTENS
- 4- 5" HEAVY STRAP HINGES WITH SCREWS
- 6- 6" GALV IRON RIDGE ROLL
- 12- 6" GALV BATTENS
- 1- 8" "
- 2- 6" WROUGHT STEEL HASPS WITH STAPLES FOR FASTENING DOORS
- 2- 4" STEEL HOOKS WITH 2 STAPLES EACH FOR HOOKING DOOR BACK TO ROOF



SIDE VIEW



FRAMING

SEE NOTE 4 FOR LENGTH OF FRAME

SCALE FOR ALL DRAWINGS 1" = 1'-0"

COOPERATIVE EXTENSION WORK IN
AGRICULTURE & HOME ECONOMICS
 STATE OF MISSISSIPPI
 MISSISSIPPI STATE UNIVERSITY
 AND
 U.S. DEPT. OF AGRIC. COOPERATING

MOVABLE "A" FRAME
 FARROWING HOUSE

5826-A SHEET 1 OF 11