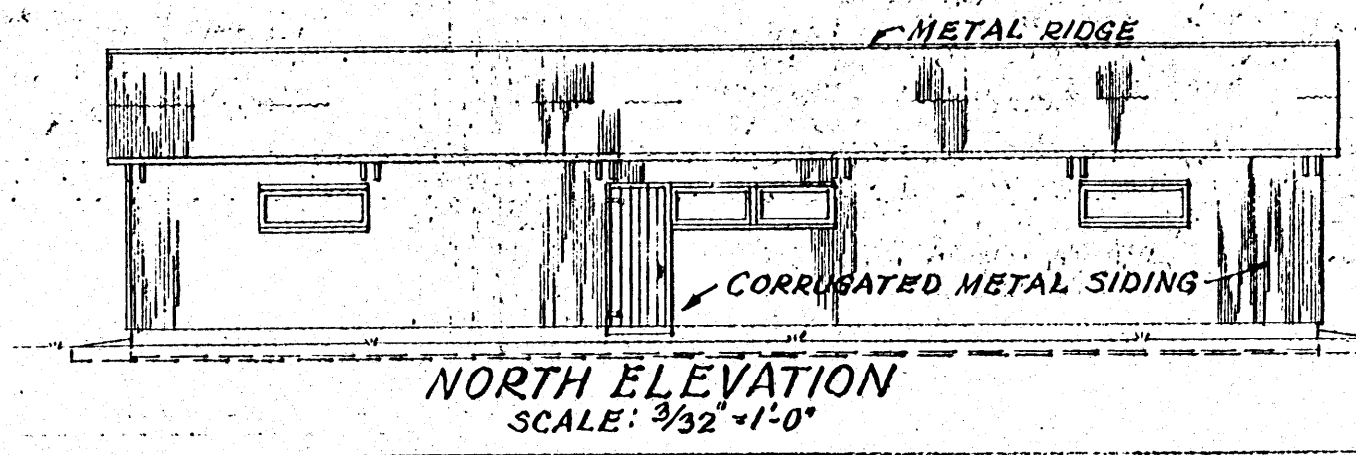
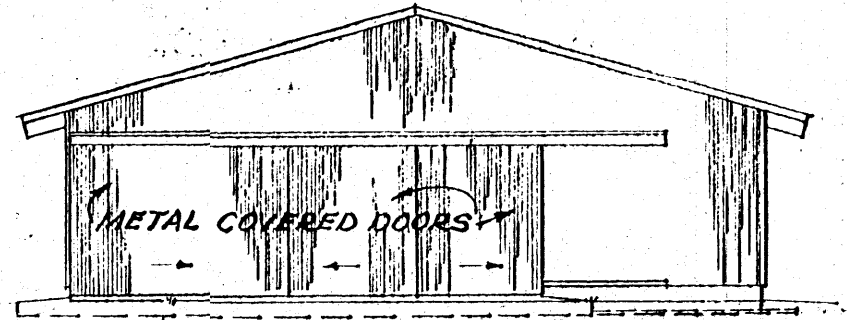
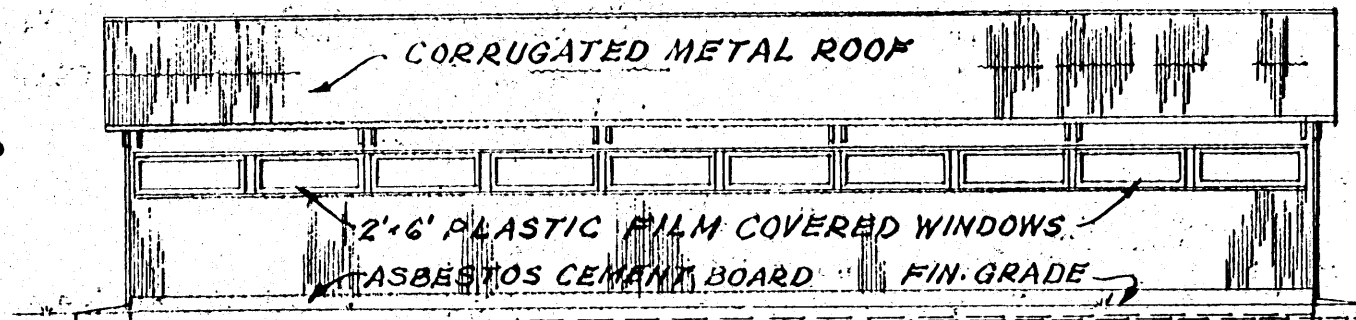
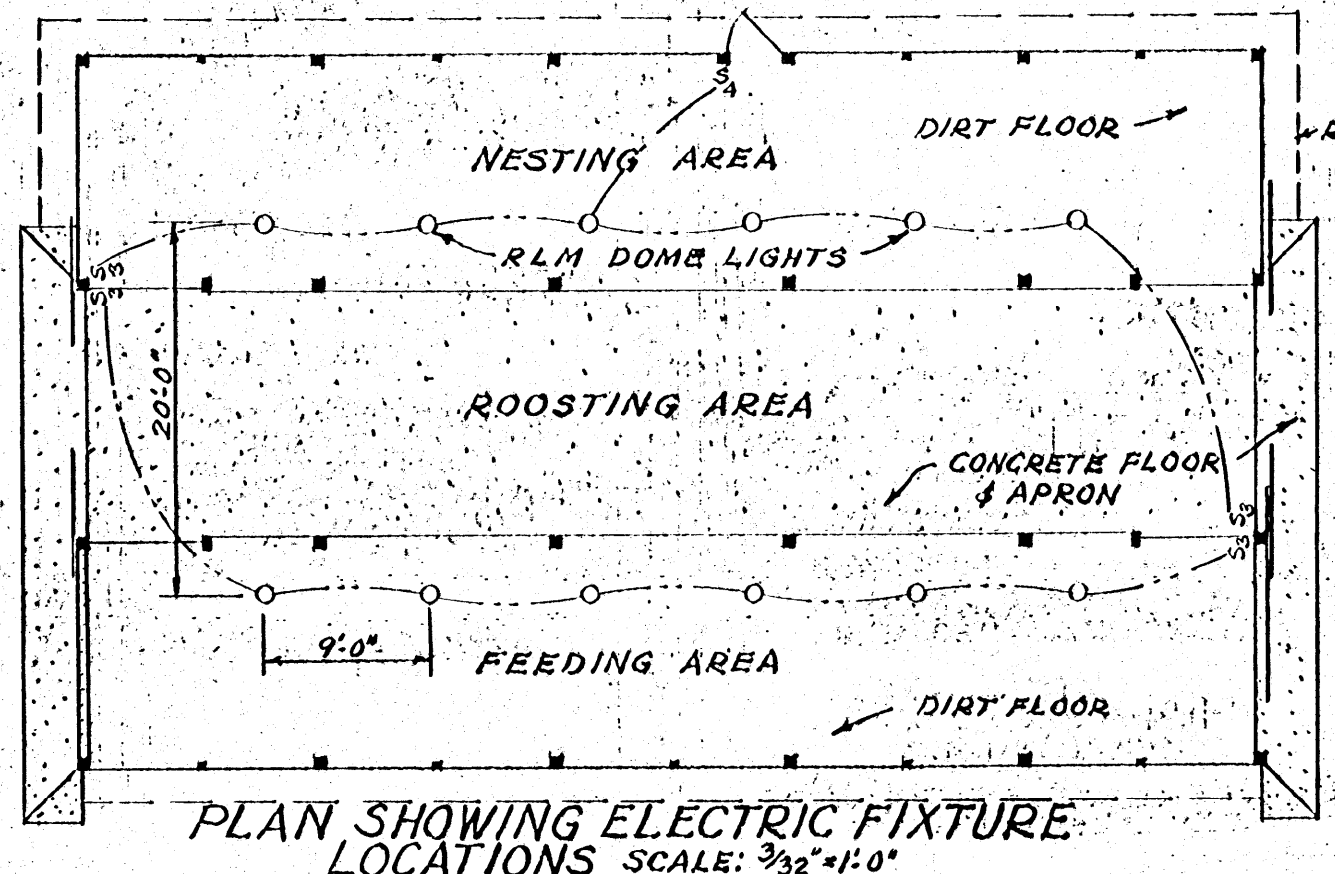
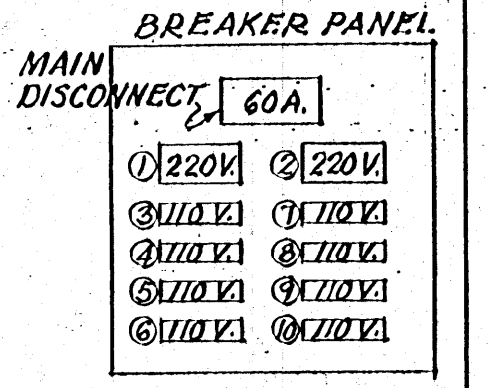


- ELECTRICAL DEMAND:**
- ③ ① LIGHTING 1.5 WATTS PER SQUARE FOOT
2 CIRCUITS-20A. 110V.
 - ④ ② CONVENIENCE OUTLETS
2 CIRCUITS-20A. 110V.
 - ⑤ ③ FANS
1 CIRCUIT-20A. 110V.
- POSSIBLE ADDITIONS:**
- ① ④ EGG COOLER
1 CIRCUIT-20A. 220 V.
 - ② ⑤ SPARES
 - ⑥ ⑥ FEEDERS
1 CIRCUIT-20A. 110 V.
 - ⑦ ⑦ EGG CLEANER
1 CIRCUIT-20A. 110V.



COOPERATIVE EXTENSION WORK IN AGRICULTURE AND HOME ECONOMICS

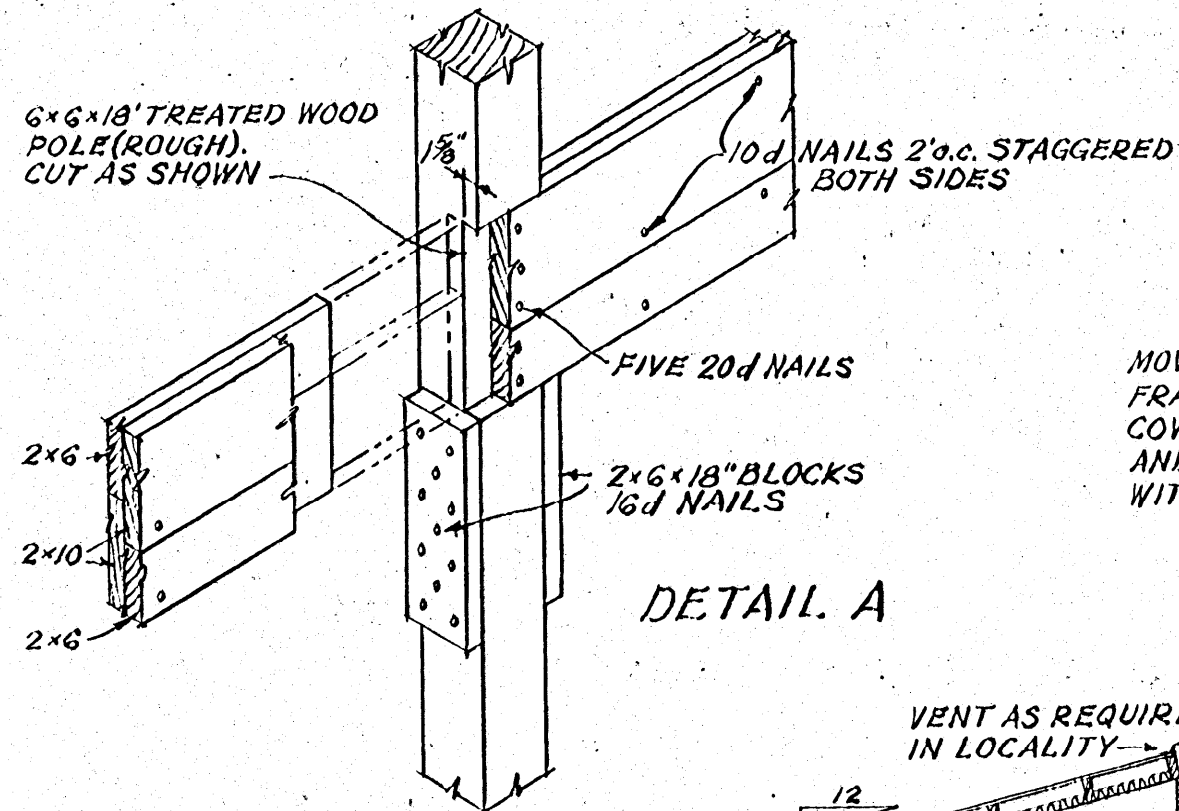
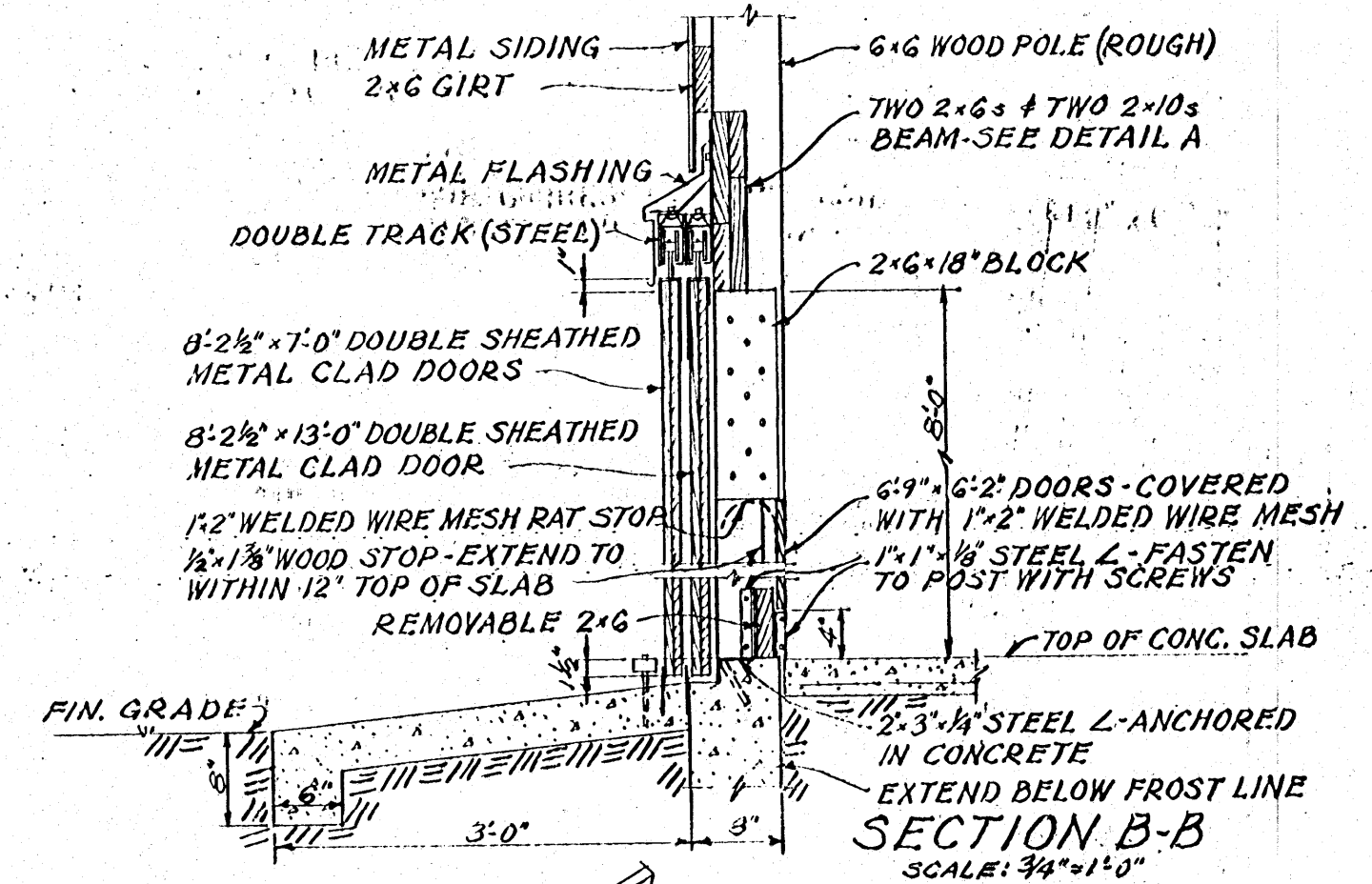
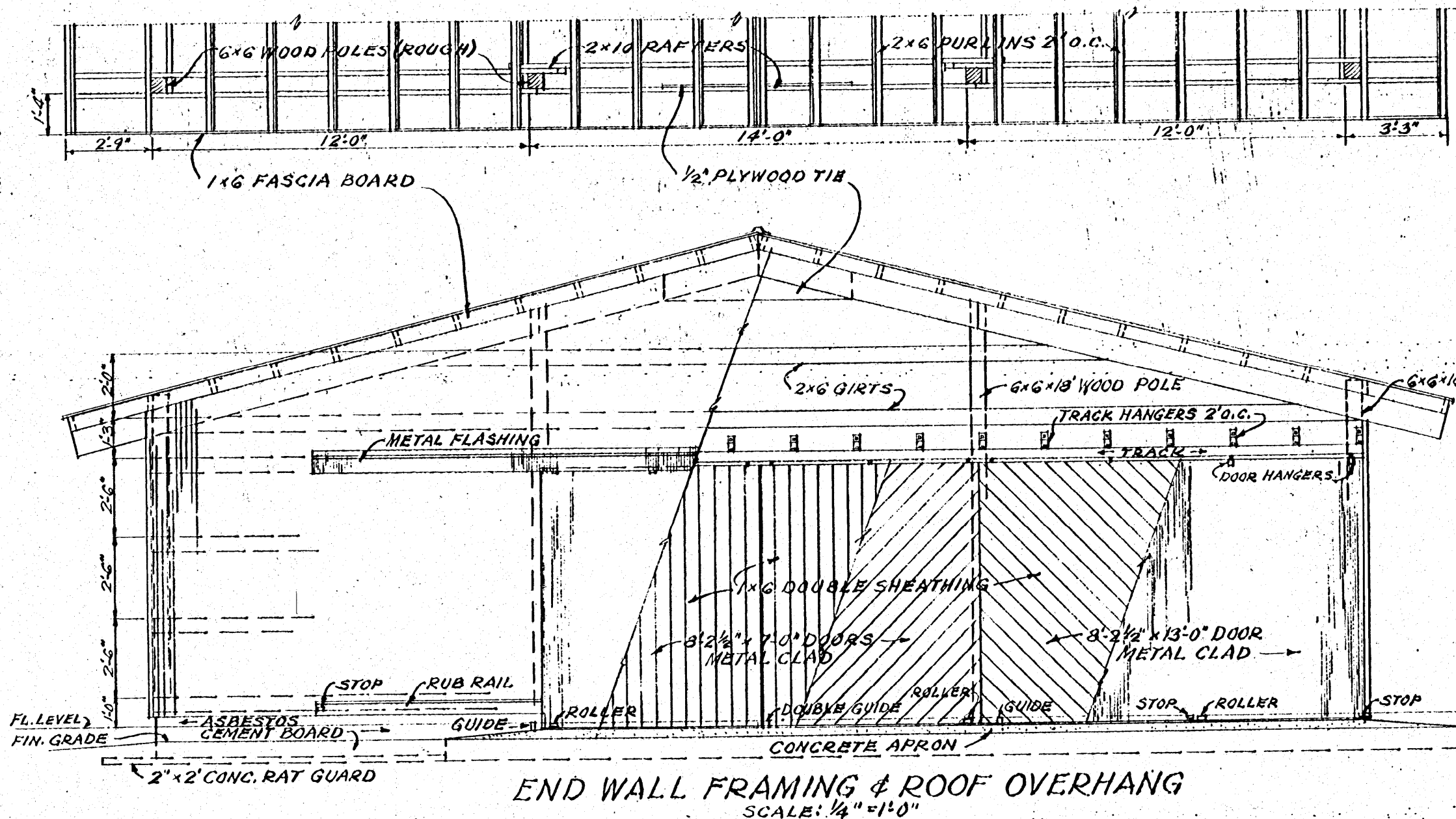
STATE OF MISSISSIPPI

MISSISSIPPI STATE UNIVERSITY

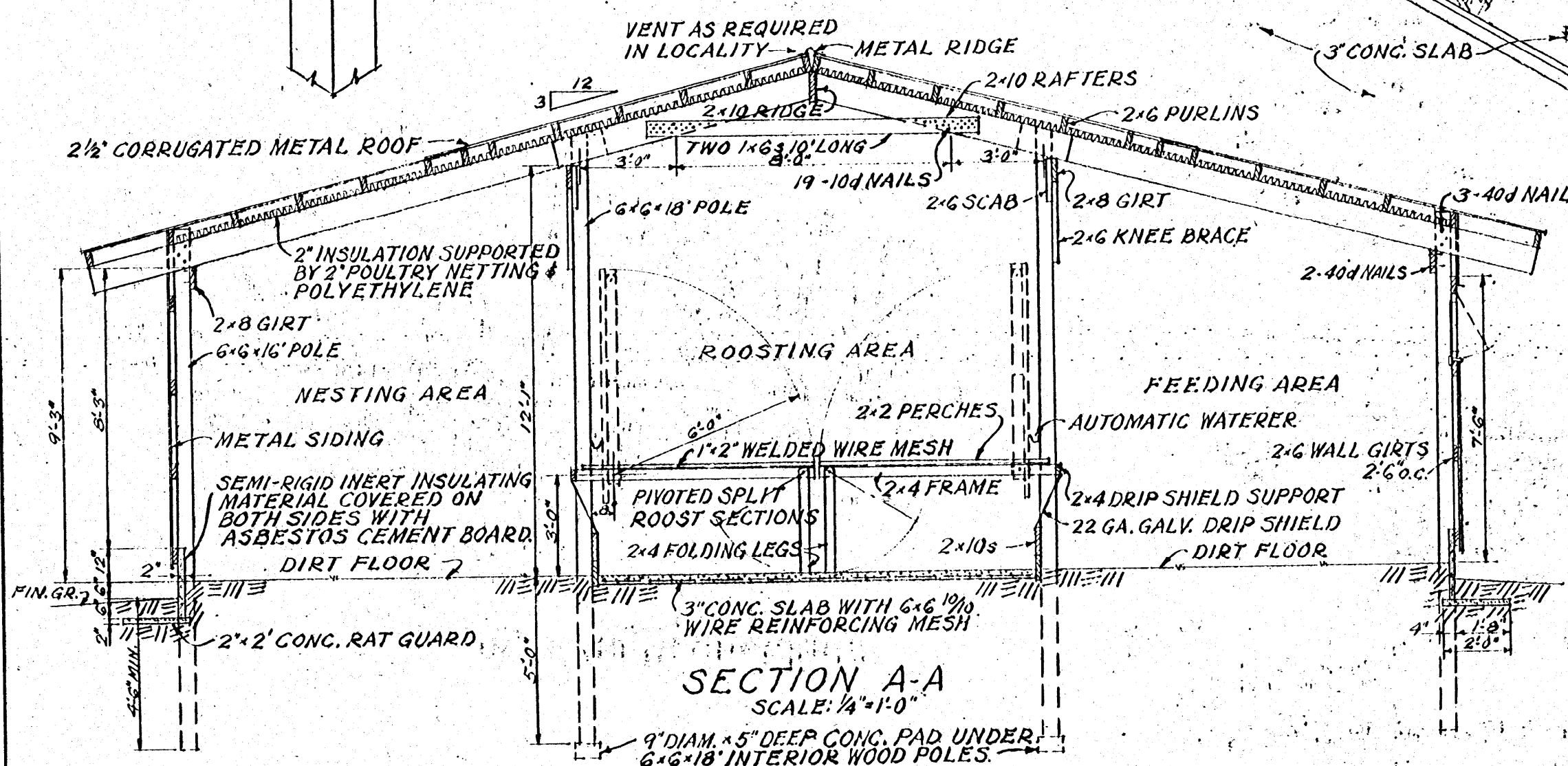
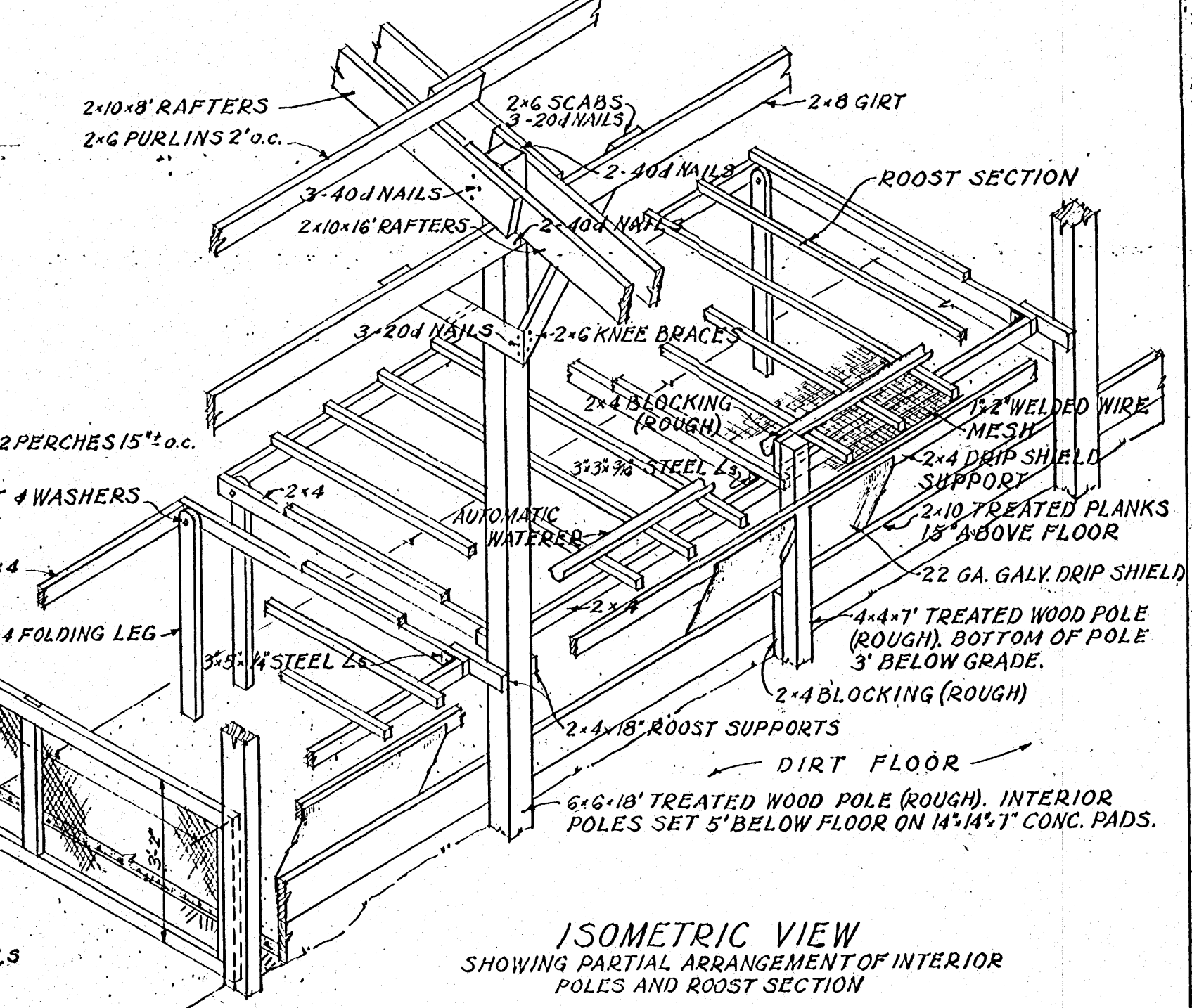
AND UNITED STATES DEPARTMENT OF AGRICULTURE COOPERATING

POULTRY HOUSE

USDA-59 EX. 5871 SHEET 1 OF 2



MOVABLE SCREENED PANEL, 2x4 FRAME (HALF LAPPED JOINTS) COVERED WITH 2\"/>



NOTE:
 THIS STRUCTURE IS PRIMARILY INTENDED FOR USE IN AREAS WHERE THE SNOW LOAD DOES NOT EXCEED 20 LBS. PER SQUARE FOOT AND WIND DOES NOT EXCEED 78 MILES PER HOUR. LENGTH OF THIS BUILDING MAY BE VARIED IN UNITS OF 13 FEET. ALL POLES AND OTHER WOOD IN CONTACT WITH THE GROUND OR DROPINGS TO BE TREATED WITH A NON-TOXIC PRESERVATIVE. USE DRESSED LUMBER THRU-OUT EXCEPT WHERE OTHERWISE NOTED. EQUIP BUILDING WITH AN ADEQUATE LIGHTNING PROTECTION SYSTEM IN AREAS WHERE NEEDED. VENTILATION MUST BE ADDED AS REQUIRED TO SUIT LOCAL CONDITIONS.

COOPERATIVE EXTENSION WORK IN AGRICULTURE AND HOME ECONOMICS
 STATE OF MISSISSIPPI
 MISSISSIPPI STATE UNIVERSITY
 AND
 UNITED STATES DEPARTMENT OF AGRICULTURE COOPERATING

POULTRY HOUSE

USDA-59 EX. 5871 SHEET 2 OF 2