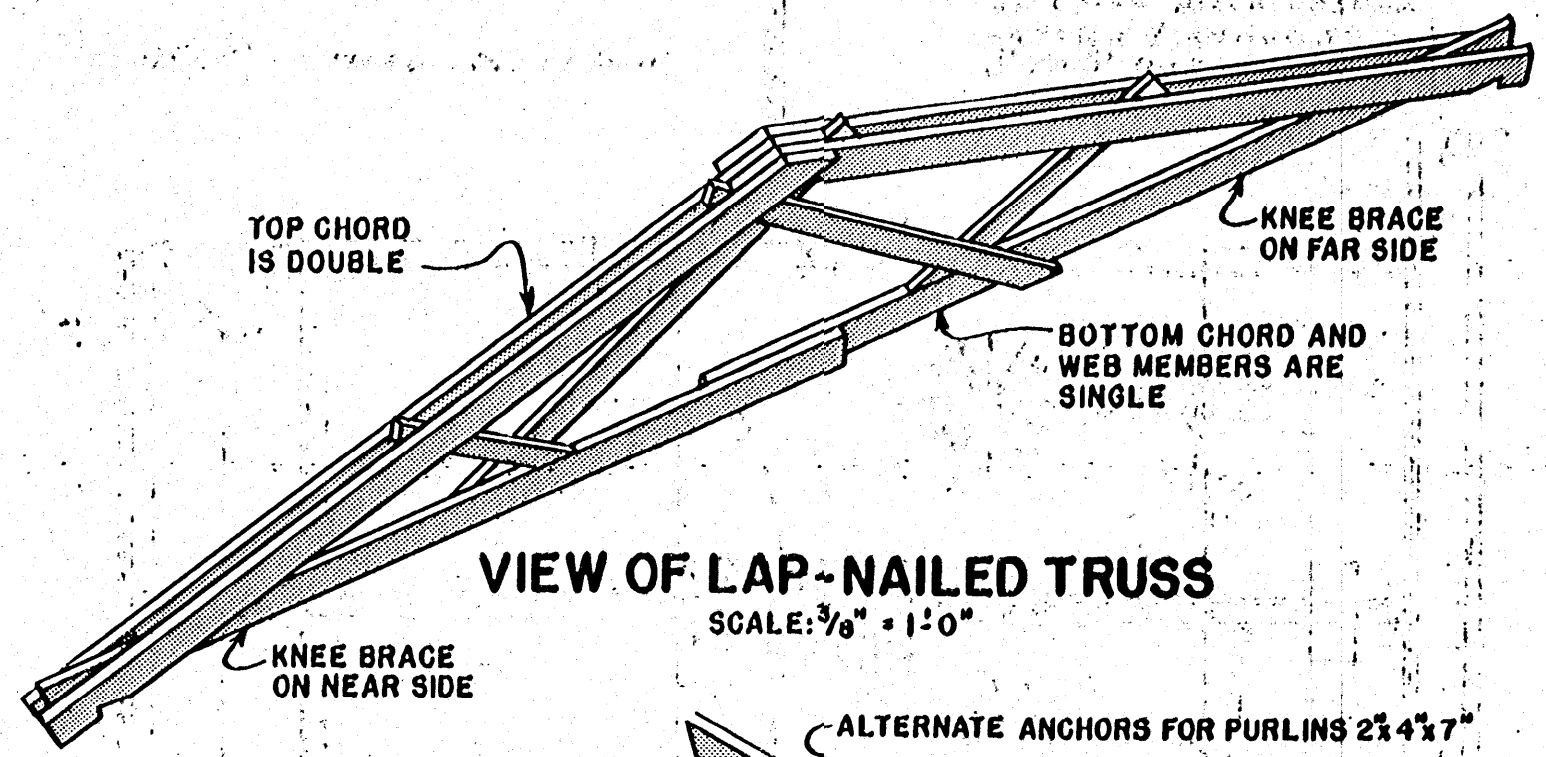
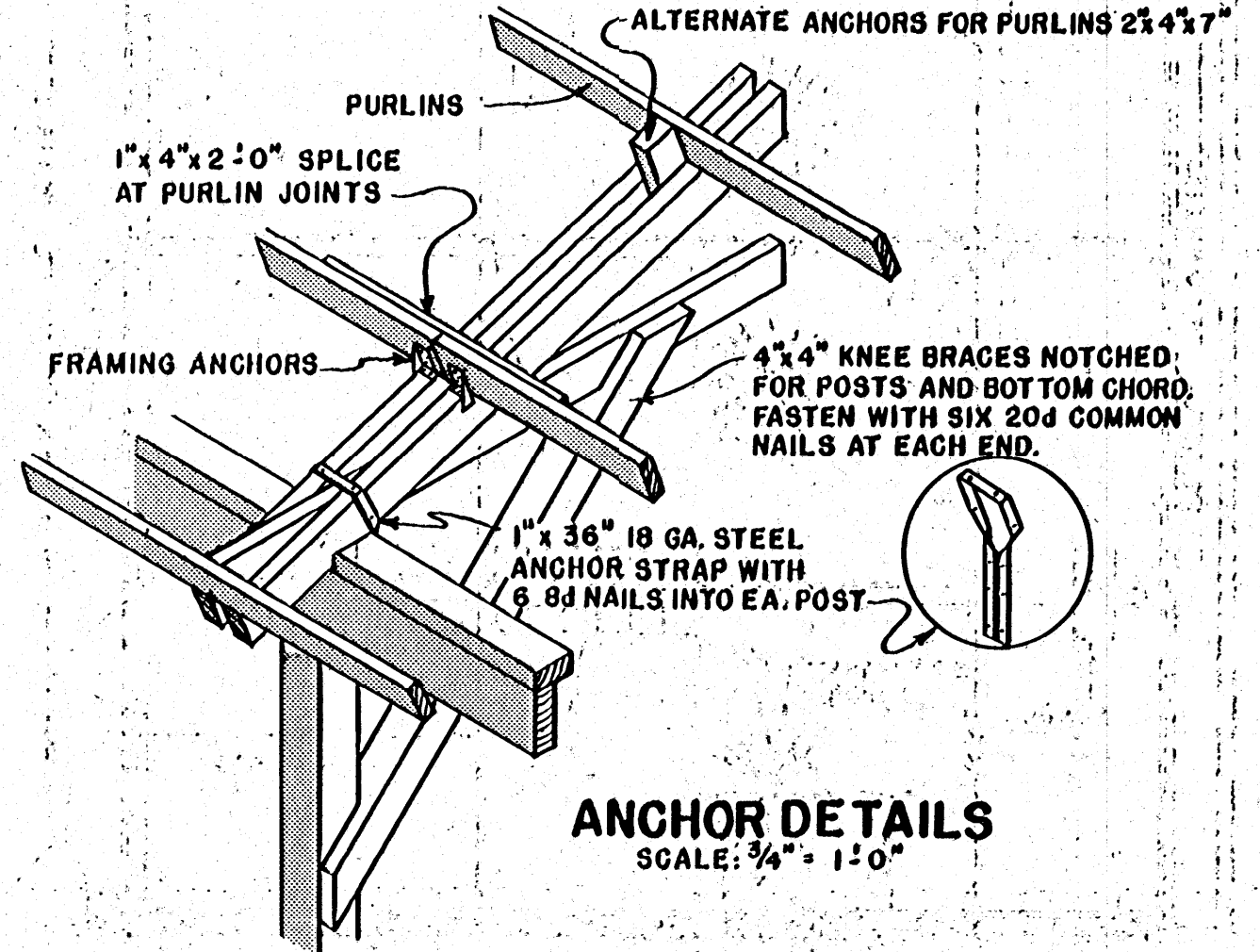


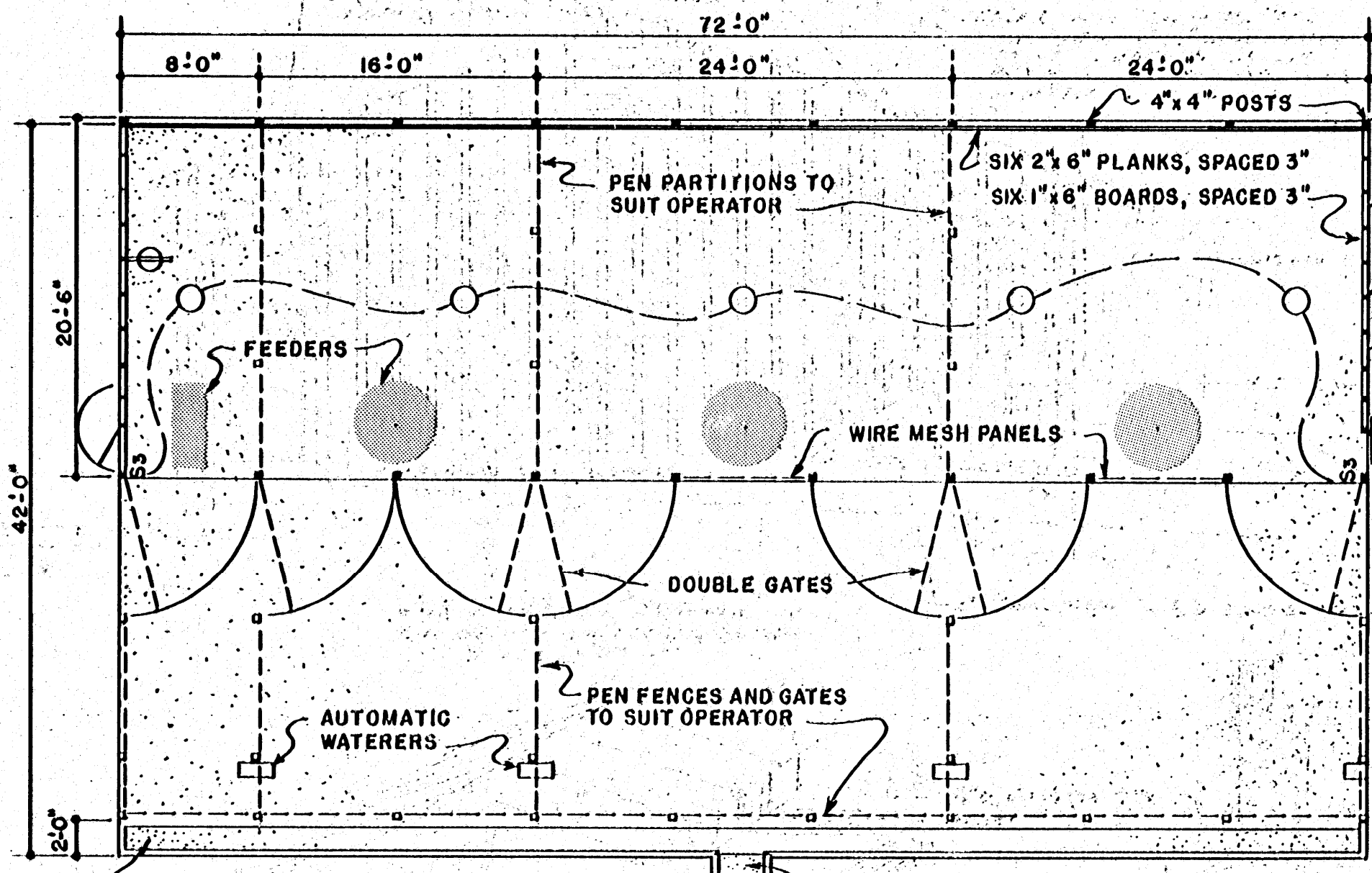
**CROSS SECTION**  
SCALE: 3/8" = 1'-0"



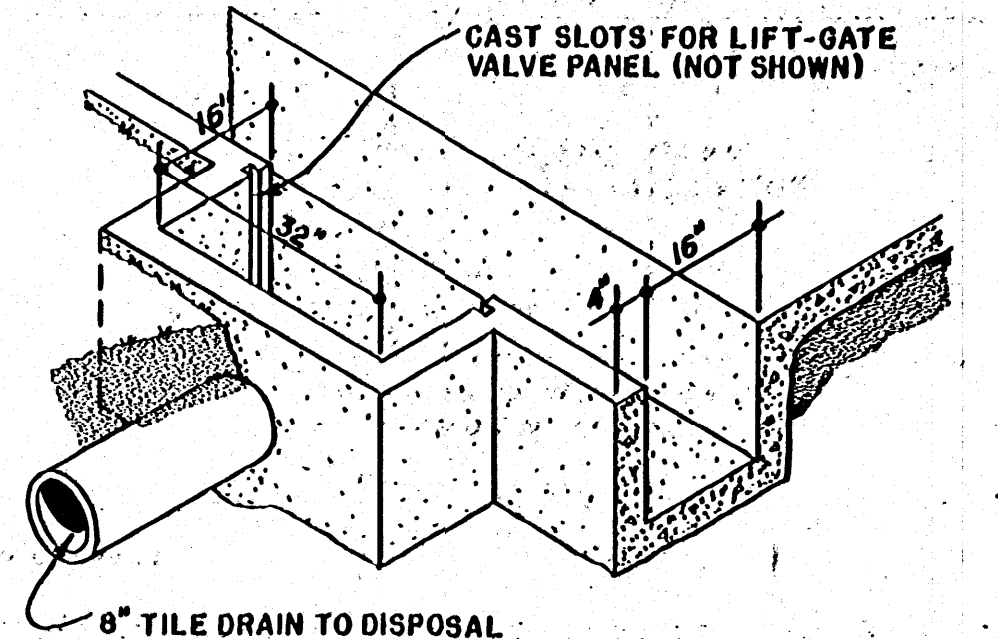
**VIEW OF LAP-NAILED TRUSS**  
SCALE: 3/8" = 1'-0"



**ANCHOR DETAILS**  
SCALE: 3/4" = 1'-0"



**PLAN**  
SCALE: 1/8" = 1'-0"



**GUTTER DRAIN DETAIL**  
SCALE: 1/2" = 1'-0"

ALL POSTS AND OTHER WOOD IN CONTACT WITH EARTH OR CONCRETE TO BE PRESSURE-TREATED.

THE WIRE MESH PANELS ARE LOWERED ONLY WHEN THE ANIMALS ARE TO BE CONFINED UNDER SHELTER... WHEN THE FEEDERS ARE BEING FILLED, ETC.

TYPE UP WIRE AND GROUNDED MOISTURE PROOF SWITCHES, OUTLETS AND FIXTURES SHOULD BE USED.

COOPERATIVE EXTENSION WORK IN AGRICULTURE AND HOME ECONOMICS  
STATE OF MISSISSIPPI  
MISSISSIPPI STATE UNIVERSITY  
AND  
UNITED STATES DEPARTMENT OF AGRICULTURE COOPERATING

**HOG FEEDING UNIT**

USDA '62 EX. 5945 SHEET 1 OF 1