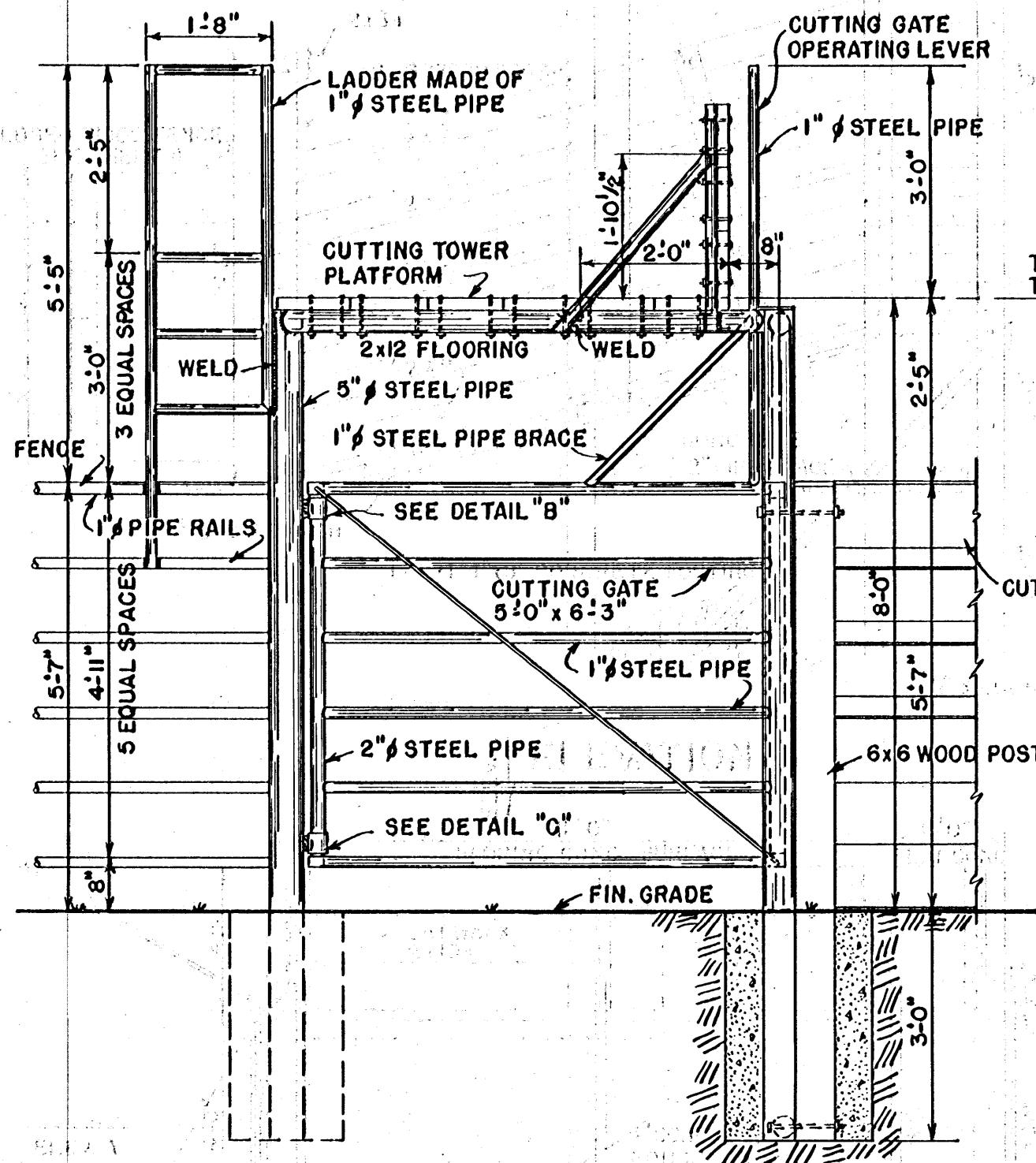


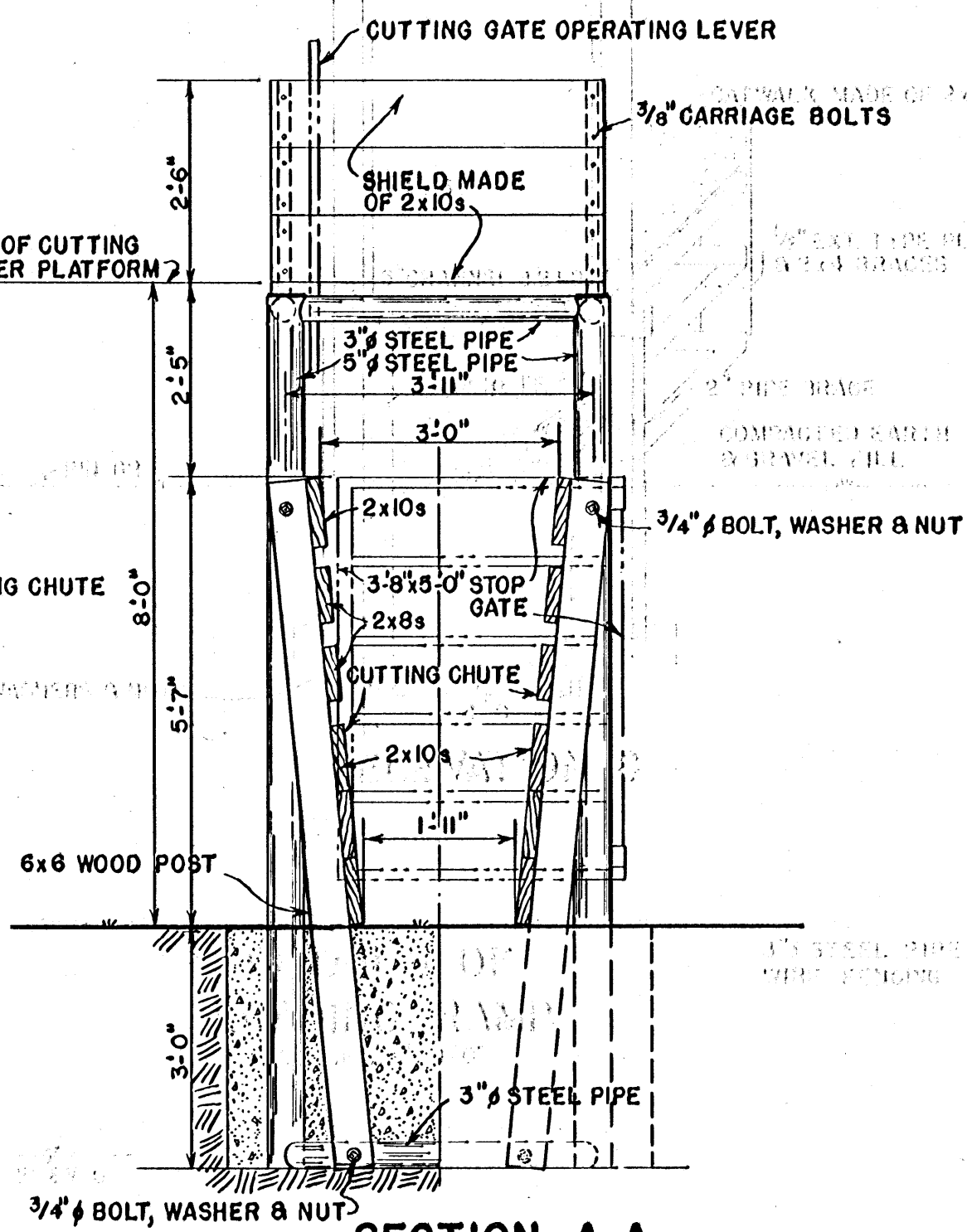
NOTES:
 FOR DETAILS OF;
 CUTTING TOWER & CUTTING CHUTE, SEE SHEET 2.
 LOADING RAMP & SORTING TRAP, SEE SHEET 3.
 FENCING & GATES, SEE SHEET 4.
 GATE POSTS FOR ALL 10' & 12' GATES TO BE 5" STEEL PIPE.

CORRAL LAYOUT FOR RANGE CATTLE
 SCALE: 1" = 20'-0"

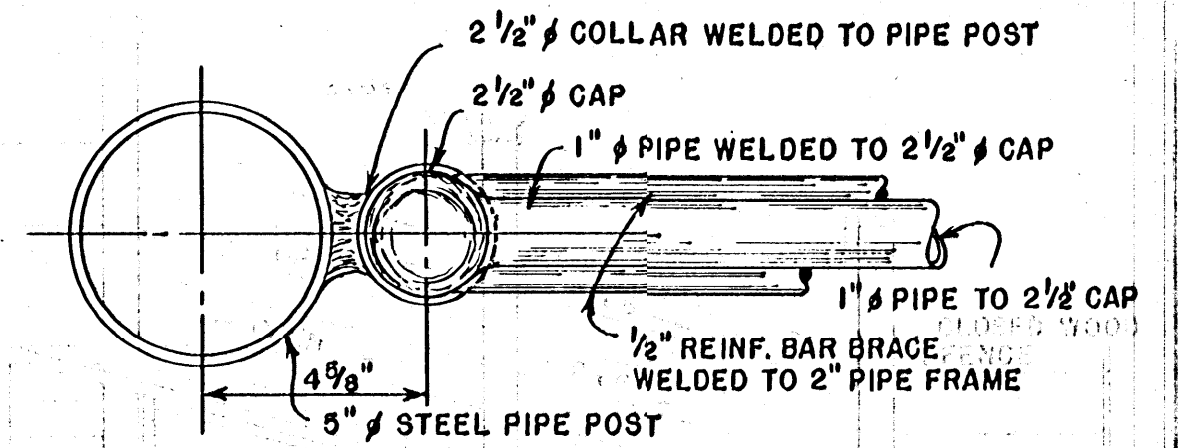
COOPERATIVE EXTENSION WORK IN AGRICULTURE AND HOME ECONOMICS		
STATE OF MISSISSIPPI		
MISSISSIPPI STATE UNIVERSITY		
AND UNITED STATES DEPARTMENT OF AGRICULTURE COOPERATING		
RANGE CORRAL		
USDA '63	EX. 5952	SHEET 1 OF 4



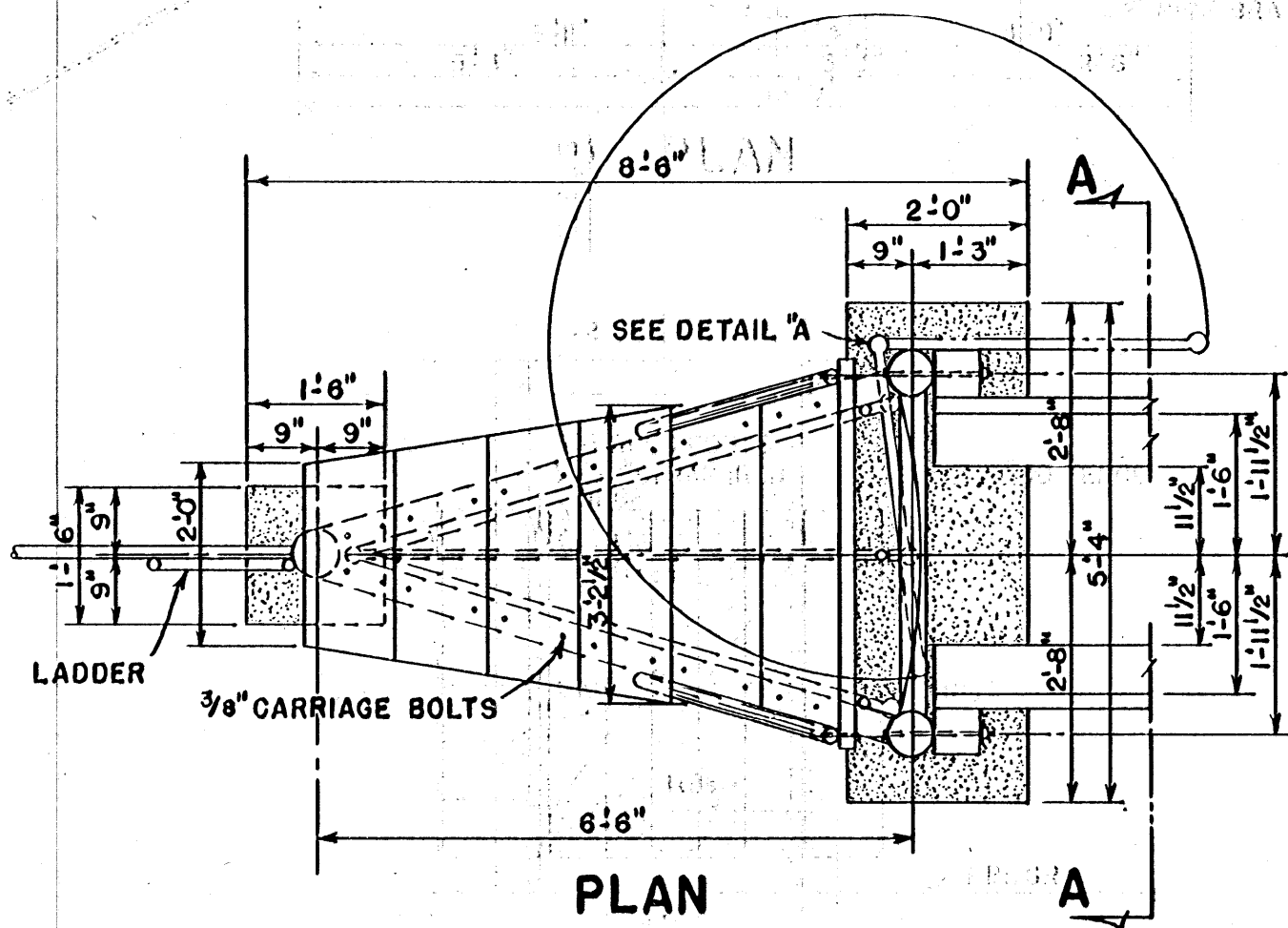
ELEVATION



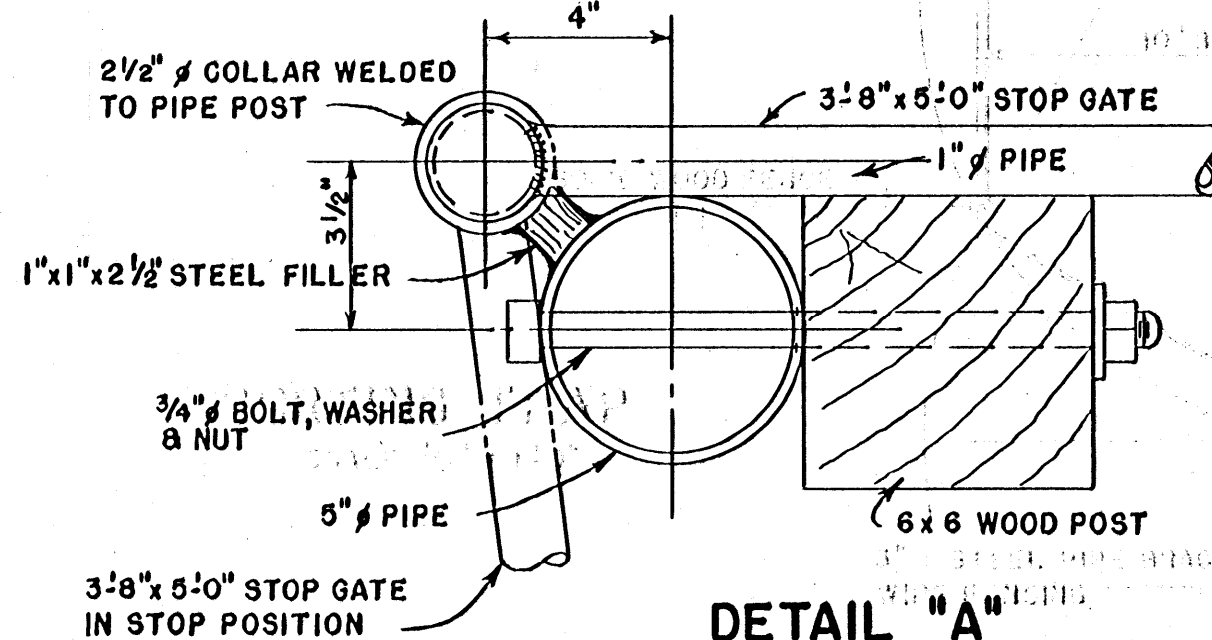
SECTION A-A



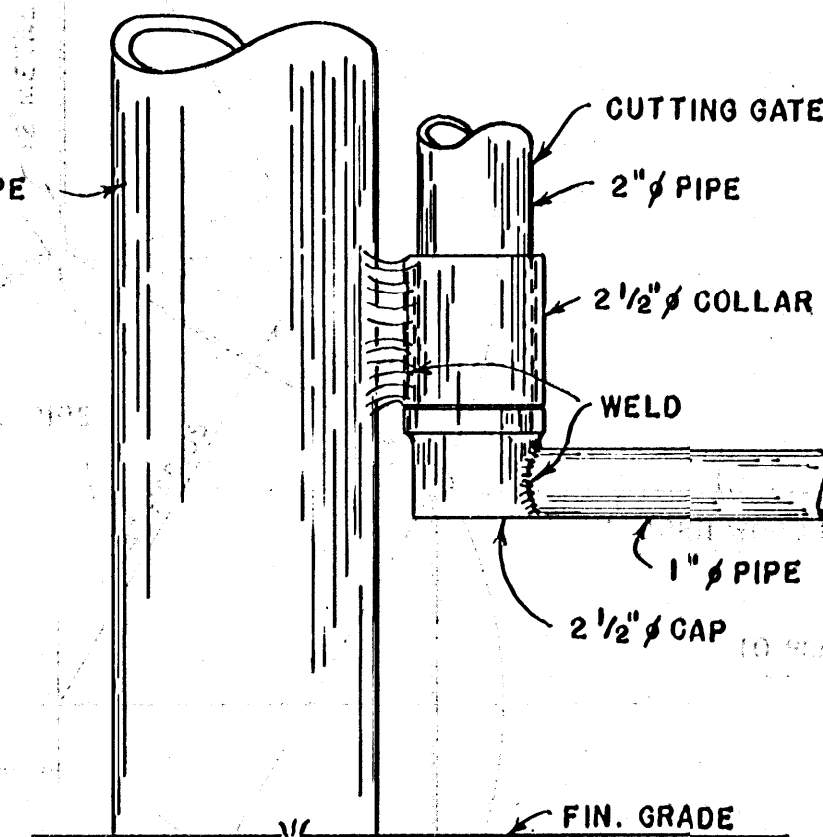
DETAIL "B"
SCALE: 3" = 1'-0"



PLAN



DETAIL "A"
SCALE: 3" = 1'-0"

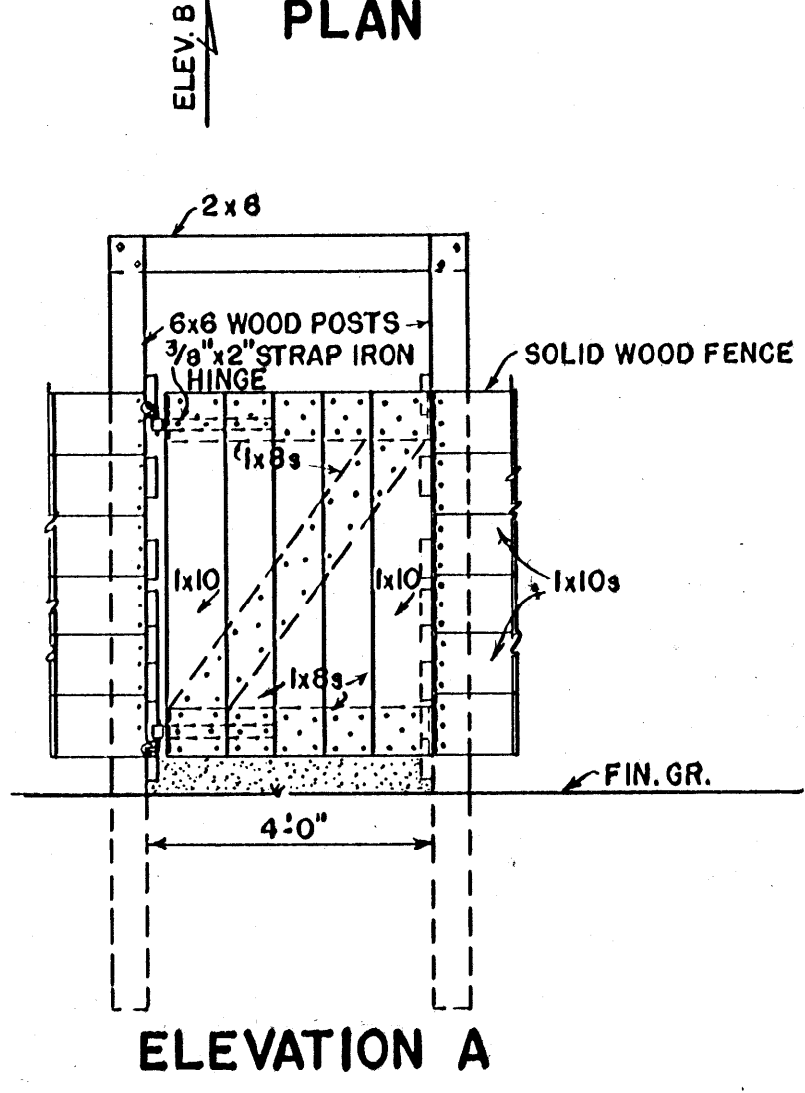
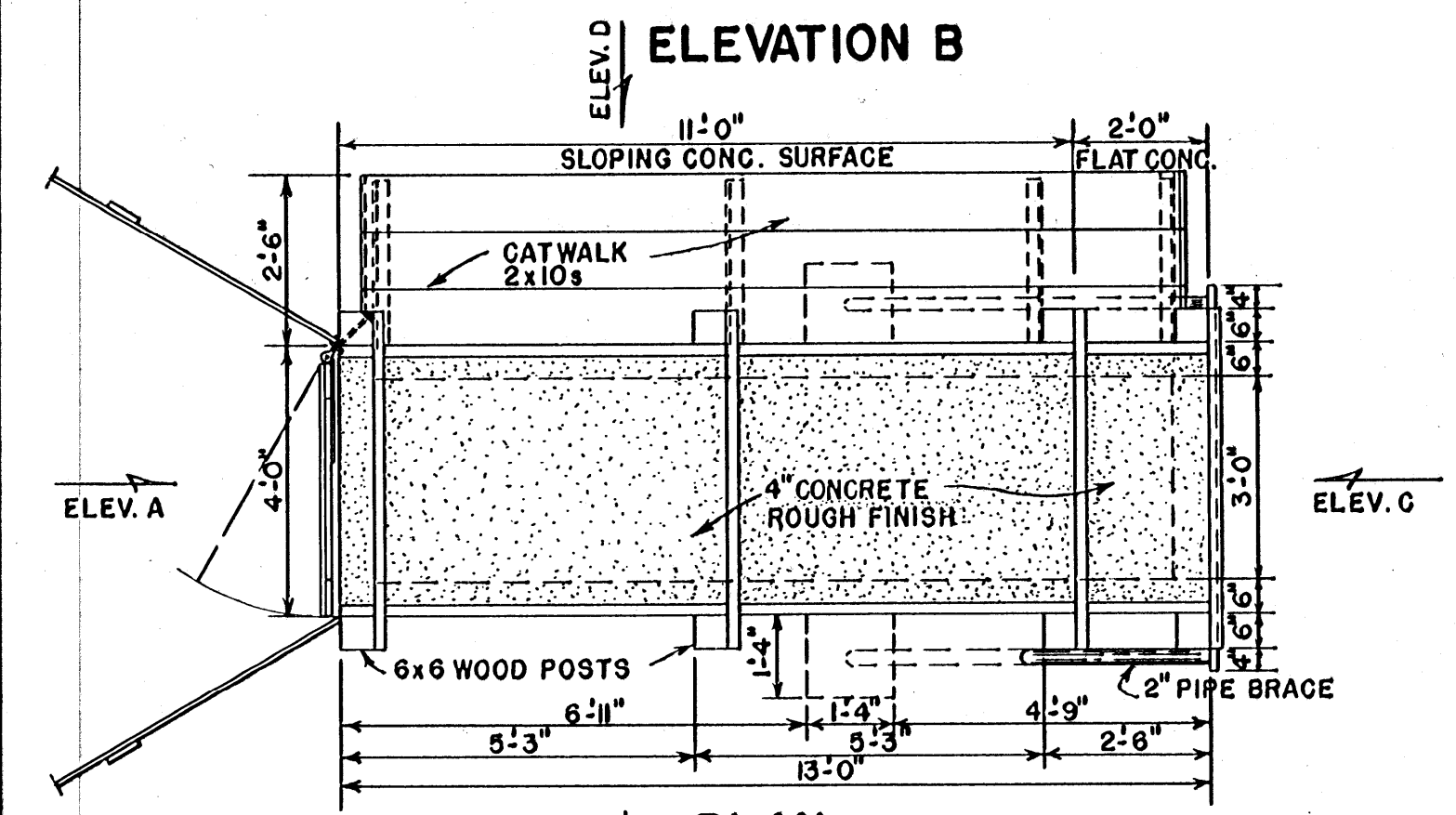
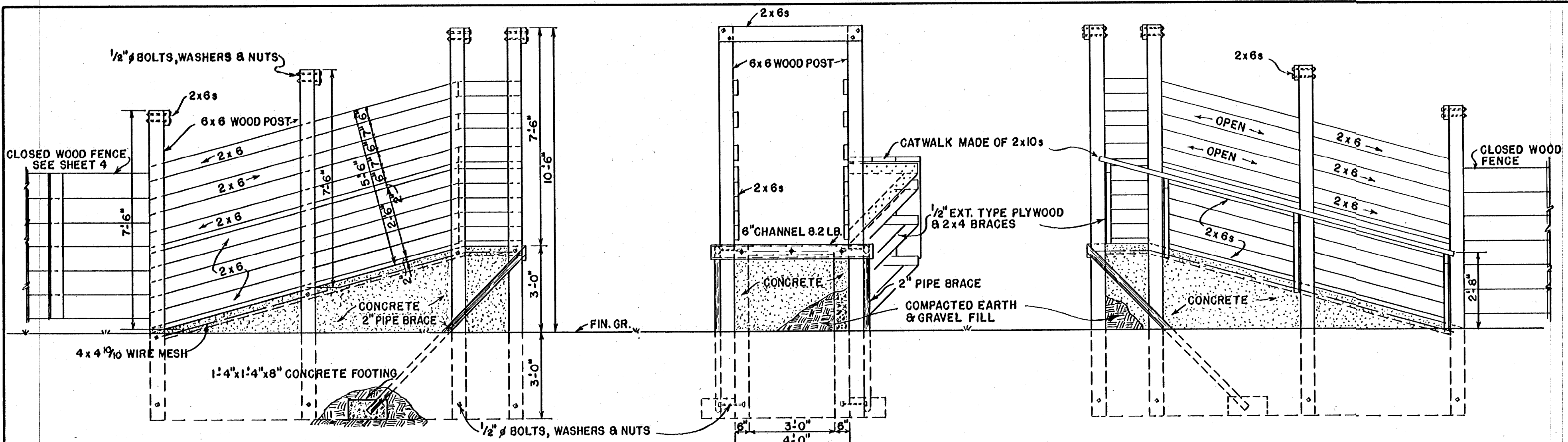


DETAIL "C"
SCALE: 3" = 1'-0"

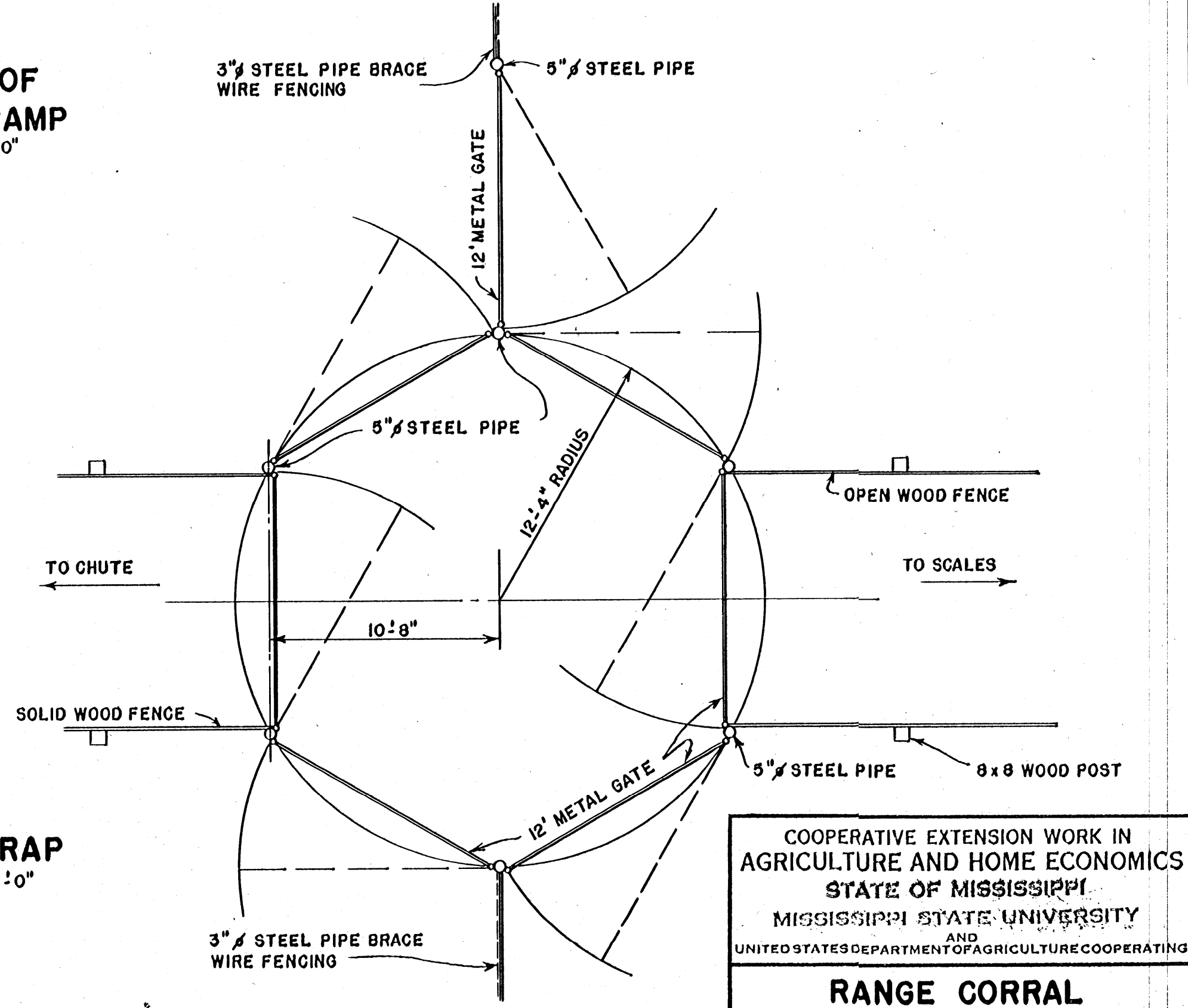
SCALE: 1/2" = 1'-0" UNLESS OTHERWISE NOTED.

COOPERATIVE EXTENSION WORK IN
AGRICULTURE AND HOME ECONOMICS
STATE OF MISSISSIPPI
MISSISSIPPI STATE UNIVERSITY
AND
UNITED STATES DEPARTMENT OF AGRICULTURE COOPERATING

RANGE CORRAL



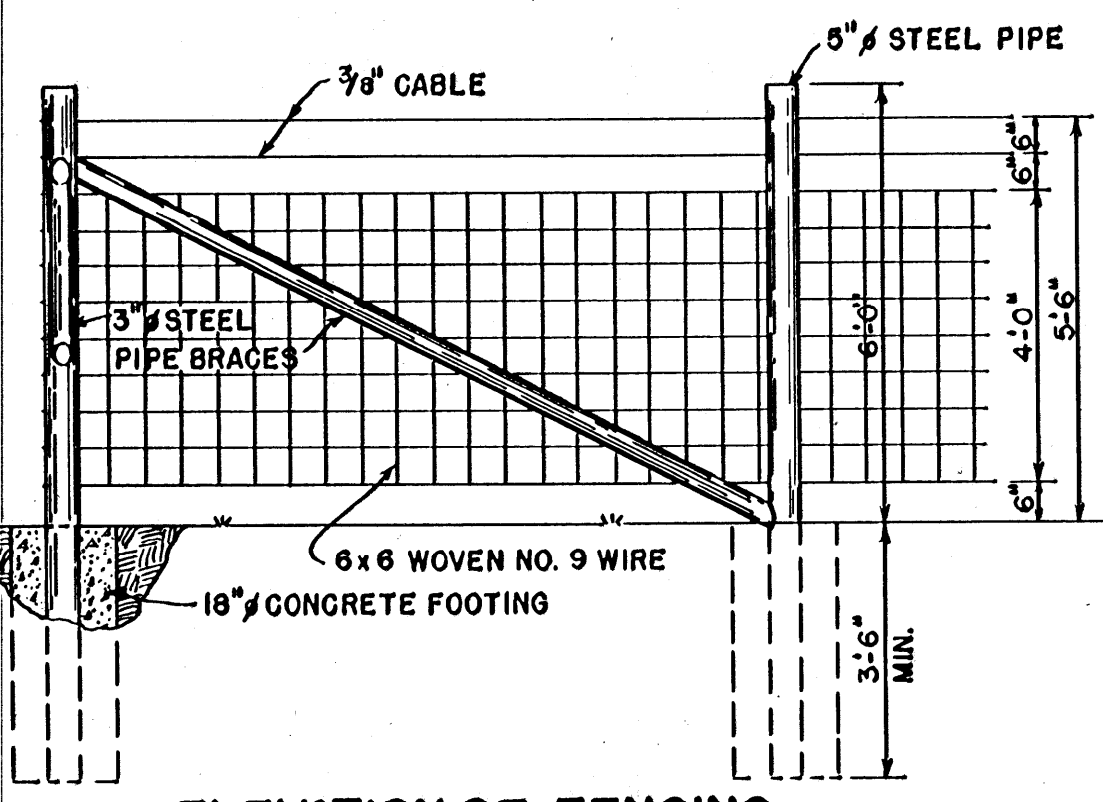
DETAILS OF LOADING RAMP
 SCALE: 3/8" = 1'-0"



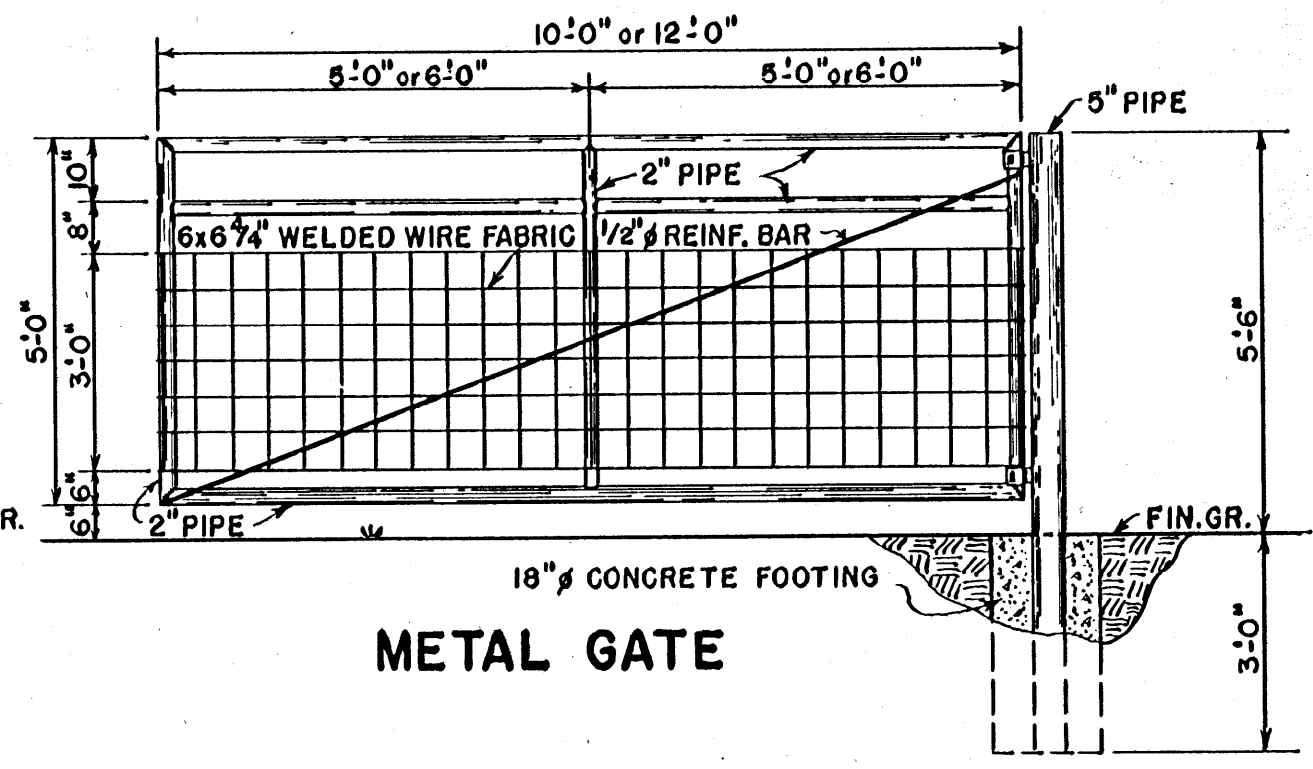
COOPERATIVE EXTENSION WORK IN
 AGRICULTURE AND HOME ECONOMICS
 STATE OF MISSISSIPPI
 MISSISSIPPI STATE UNIVERSITY
 AND
 UNITED STATES DEPARTMENT OF AGRICULTURE COOPERATING

RANGE CORRAL

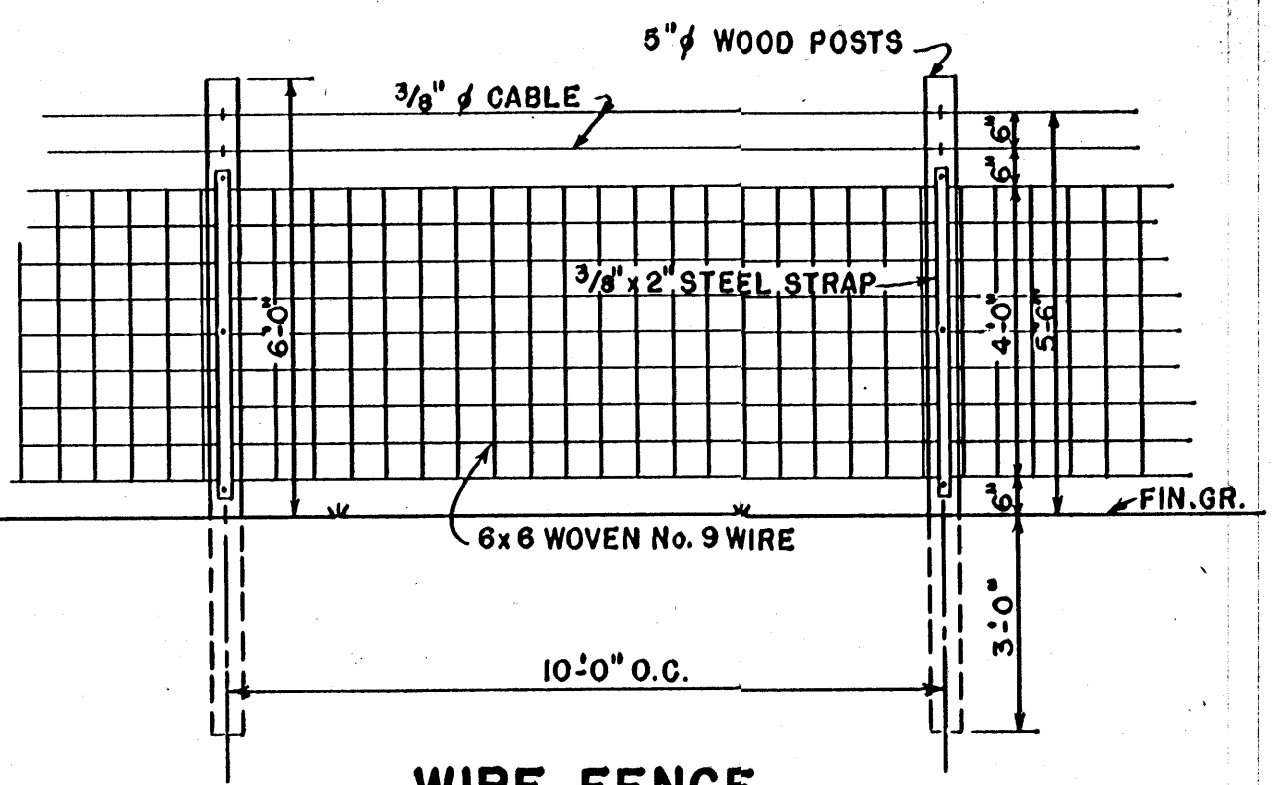
USDA '63 EX. 5952 SHEET 3 OF 4



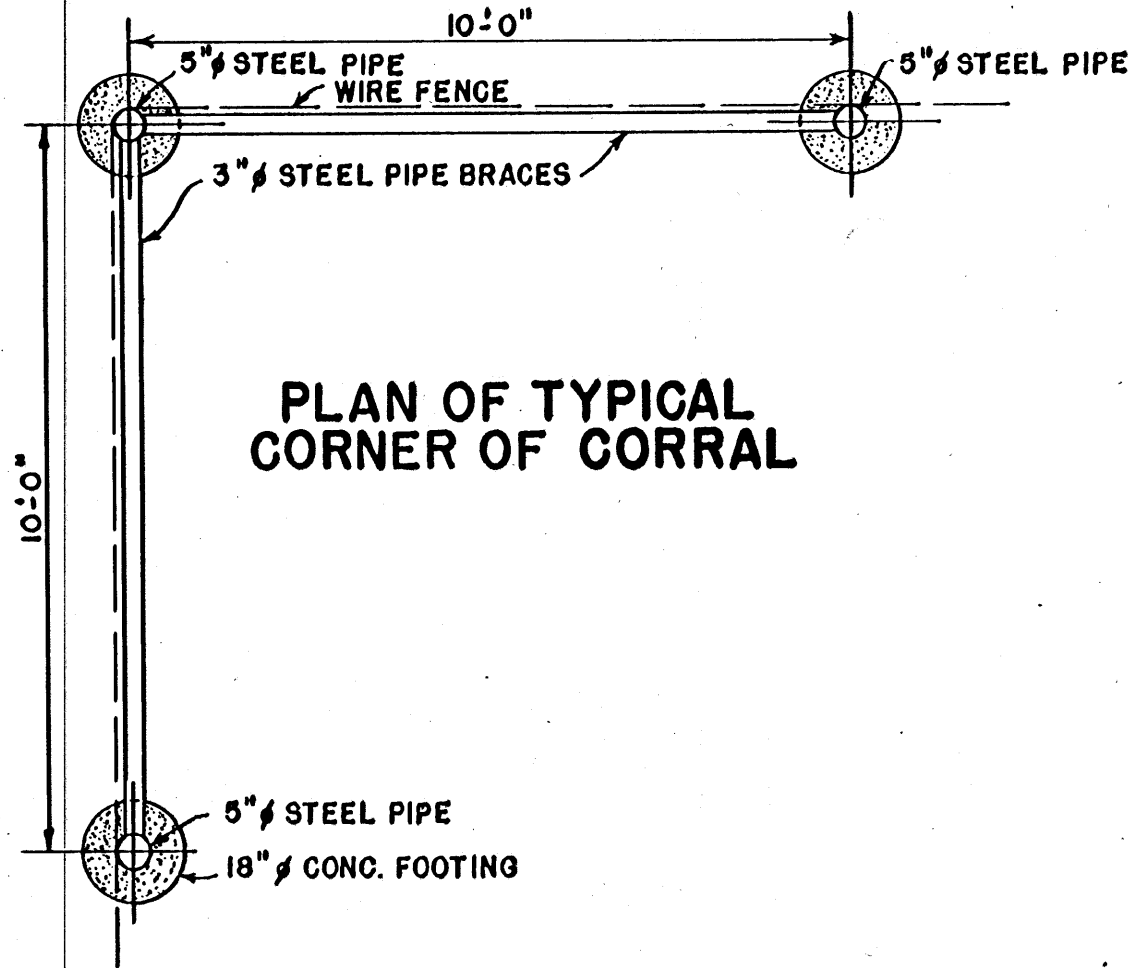
**ELEVATION OF FENCING
TYPICAL CORNER**



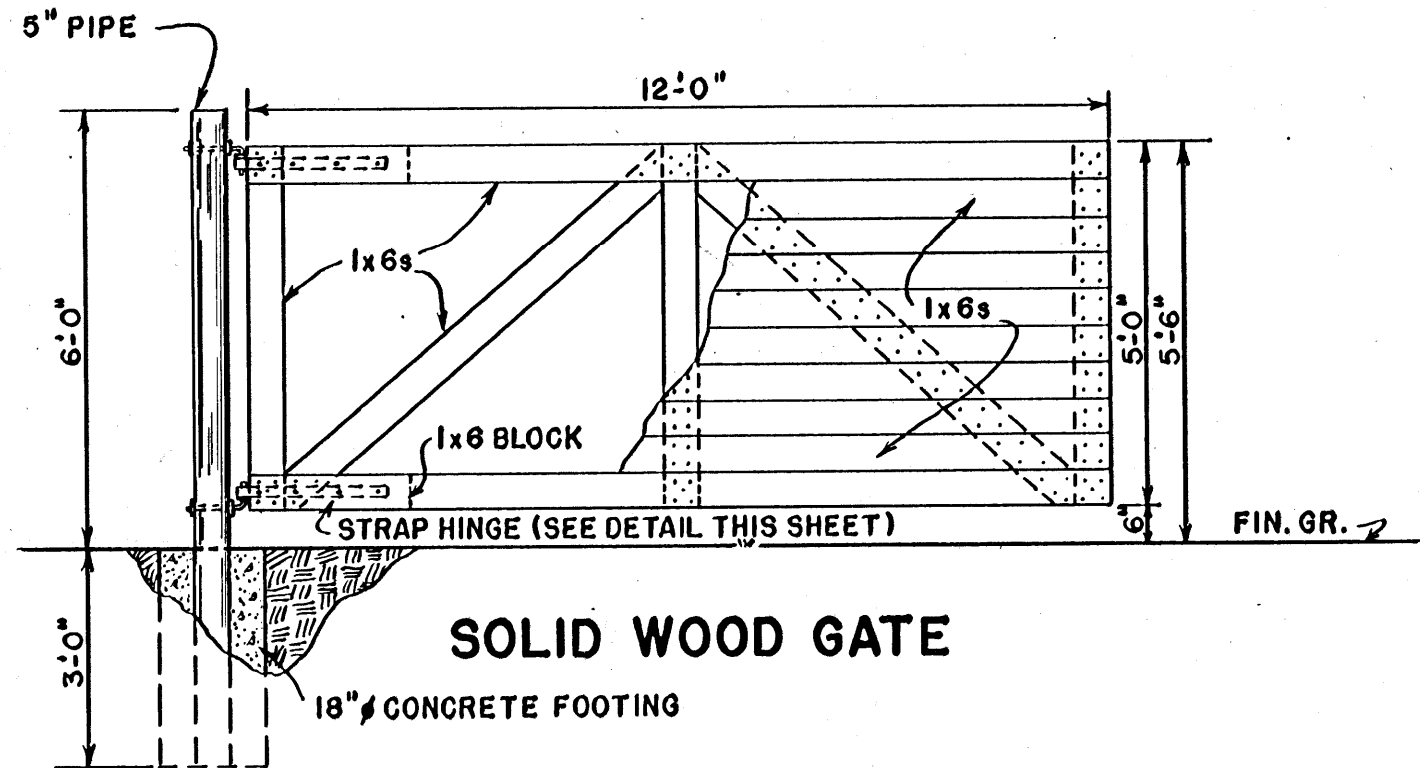
METAL GATE



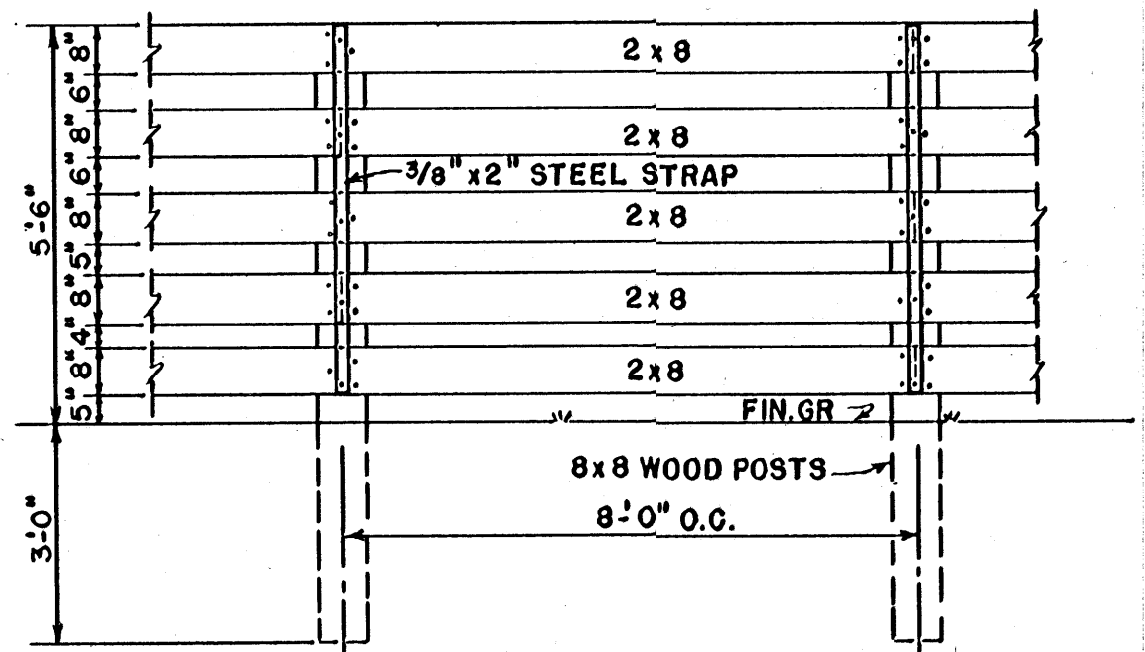
WIRE FENCE



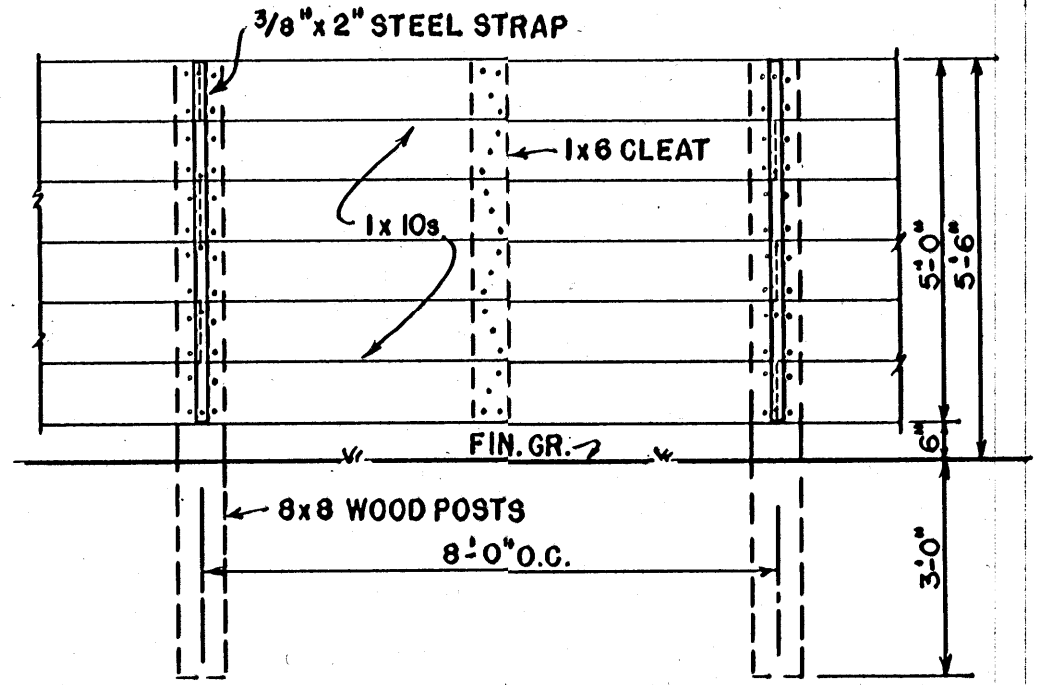
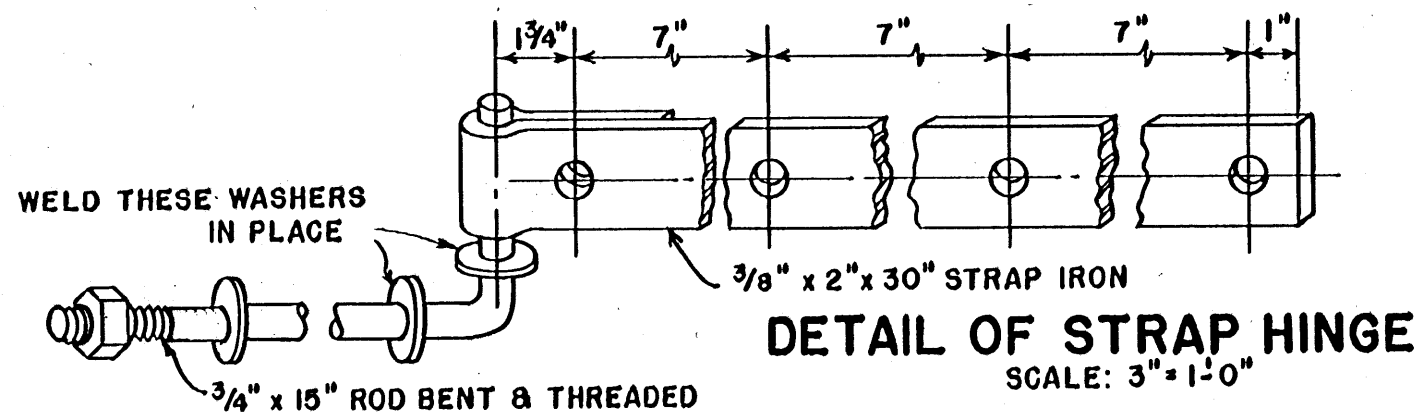
**PLAN OF TYPICAL
CORNER OF CORRAL**



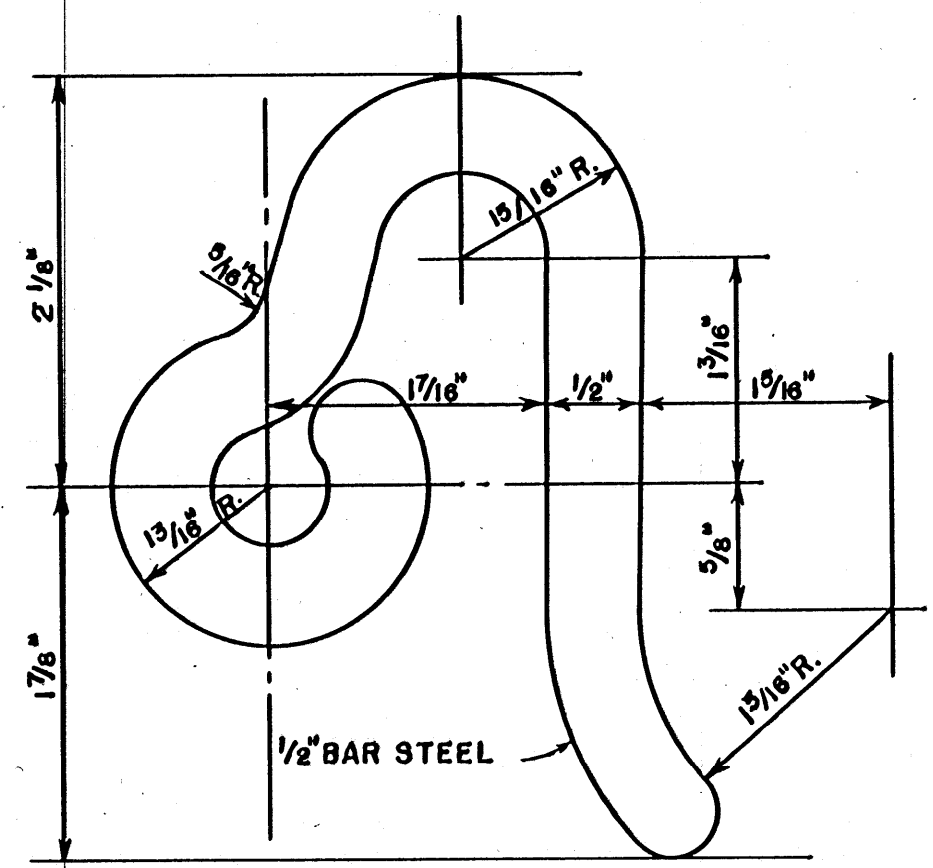
SOLID WOOD GATE



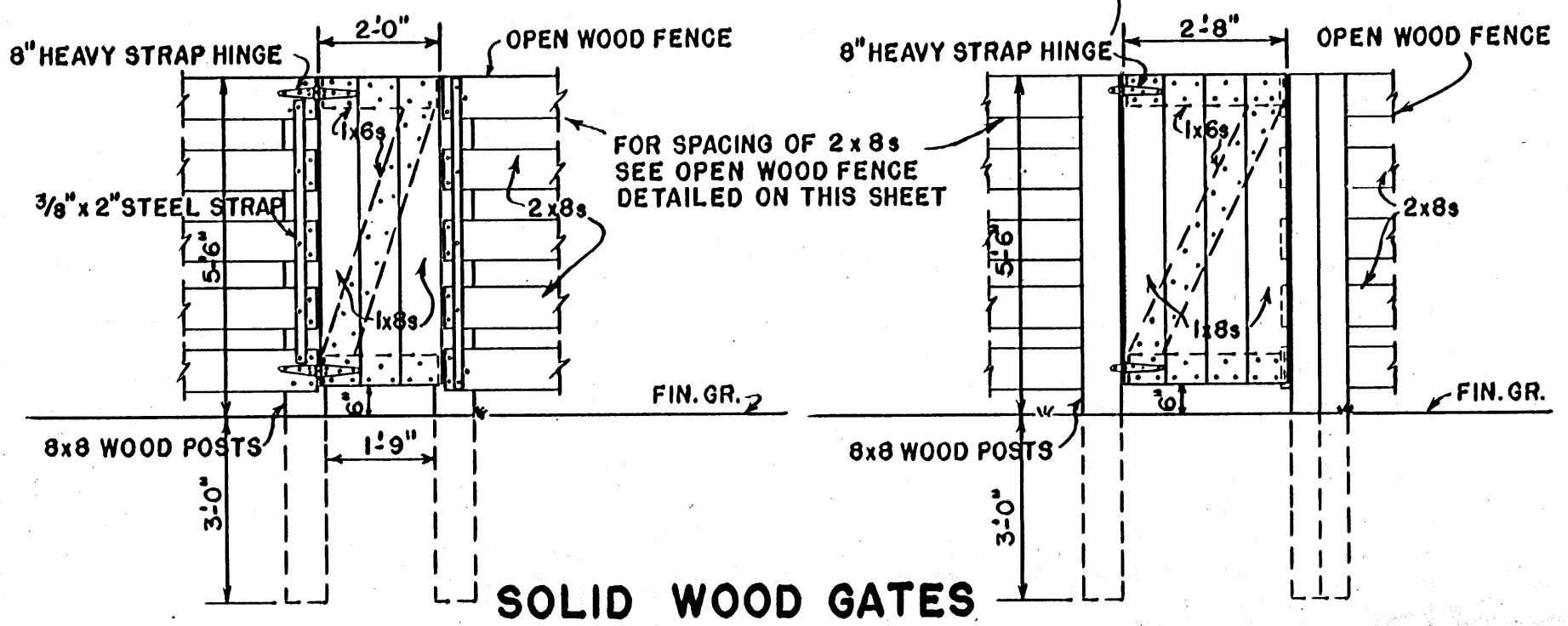
OPEN WOOD FENCE



SOLID WOOD FENCE



GATE HOOK
SCALE: FULL SIZE



SOLID WOOD GATES

SCALE: 3/8" = 1'-0" UNLESS OTHERWISE NOTED.
COOPERATIVE EXTENSION WORK IN
AGRICULTURE AND HOME ECONOMICS
STATE OF MISSISSIPPI
MISSISSIPPI STATE UNIVERSITY
AND
UNITED STATES DEPARTMENT OF AGRICULTURE COOPERATING