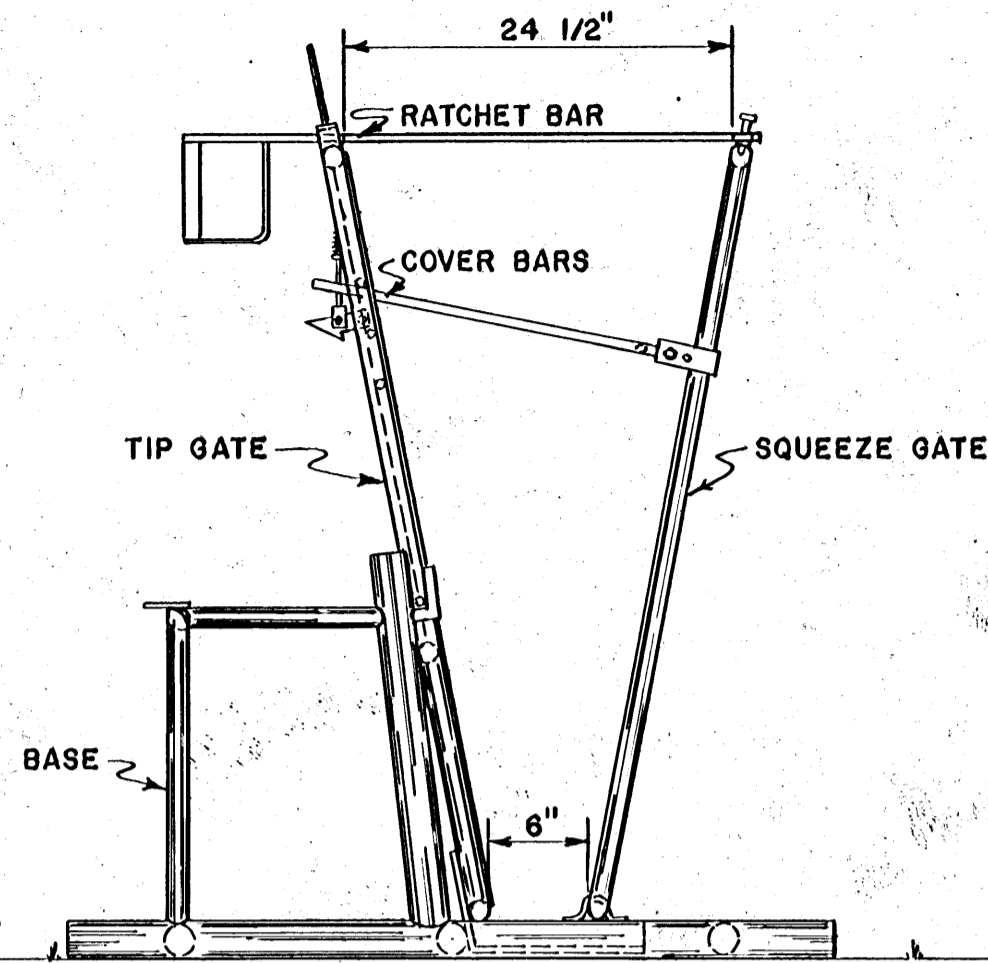
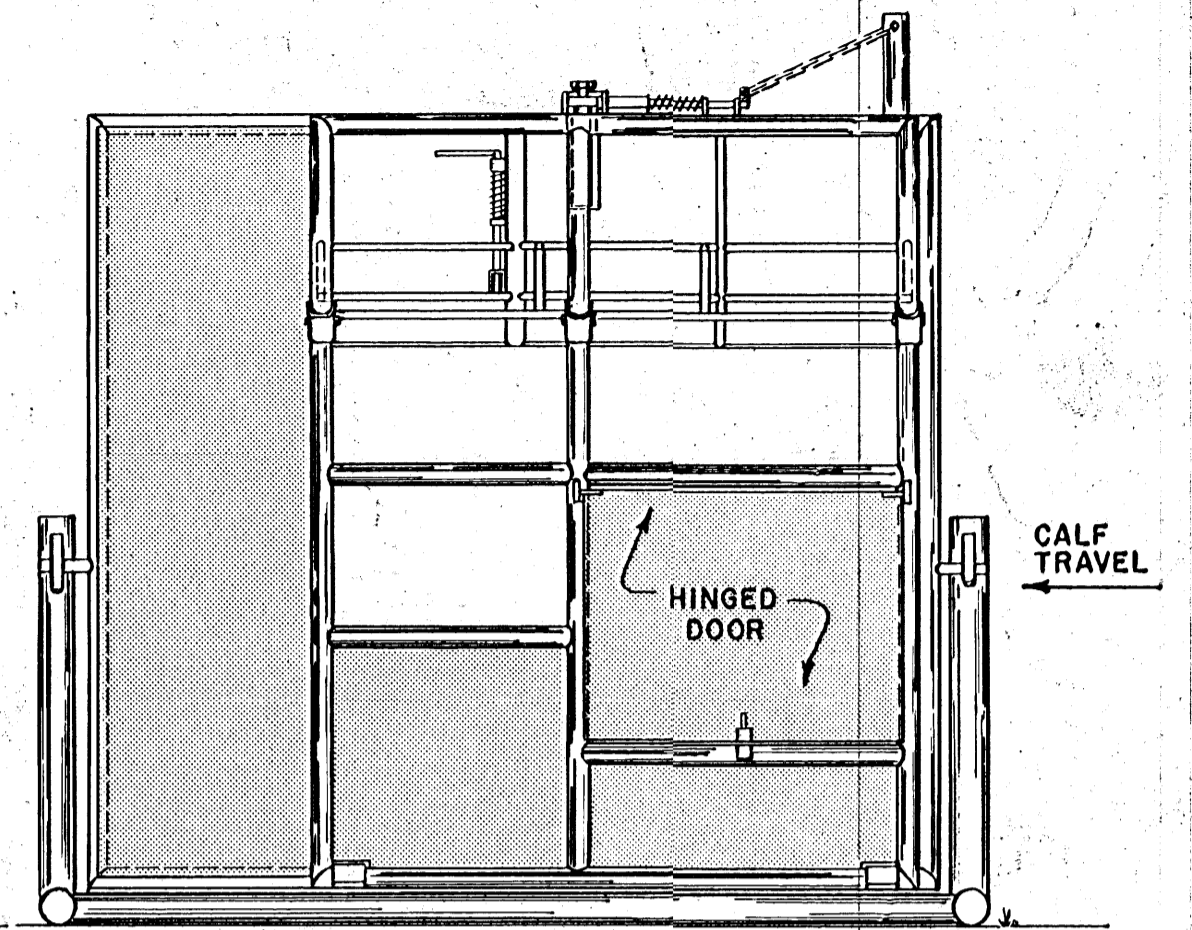


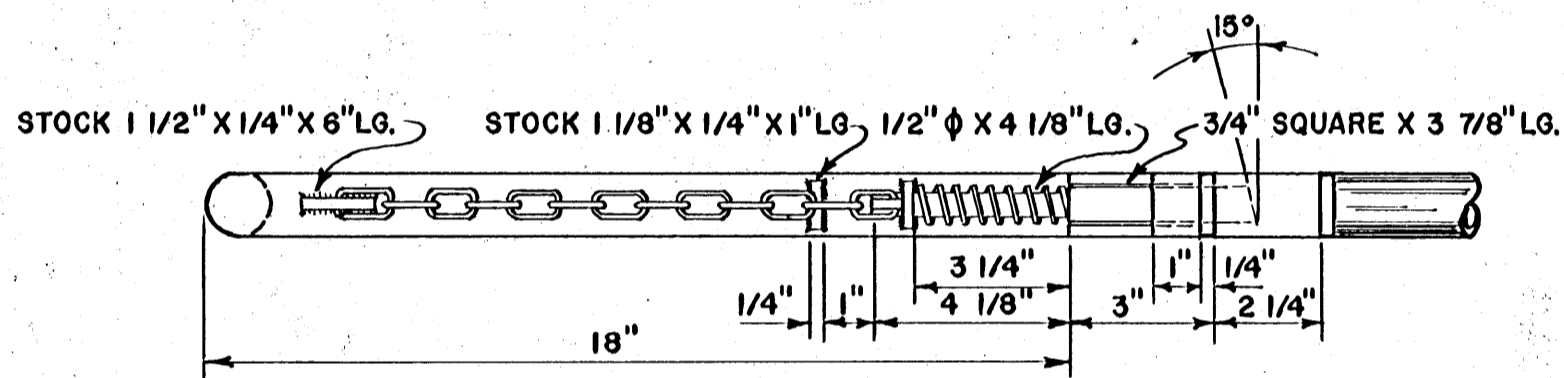
LEFT SIDE VIEW



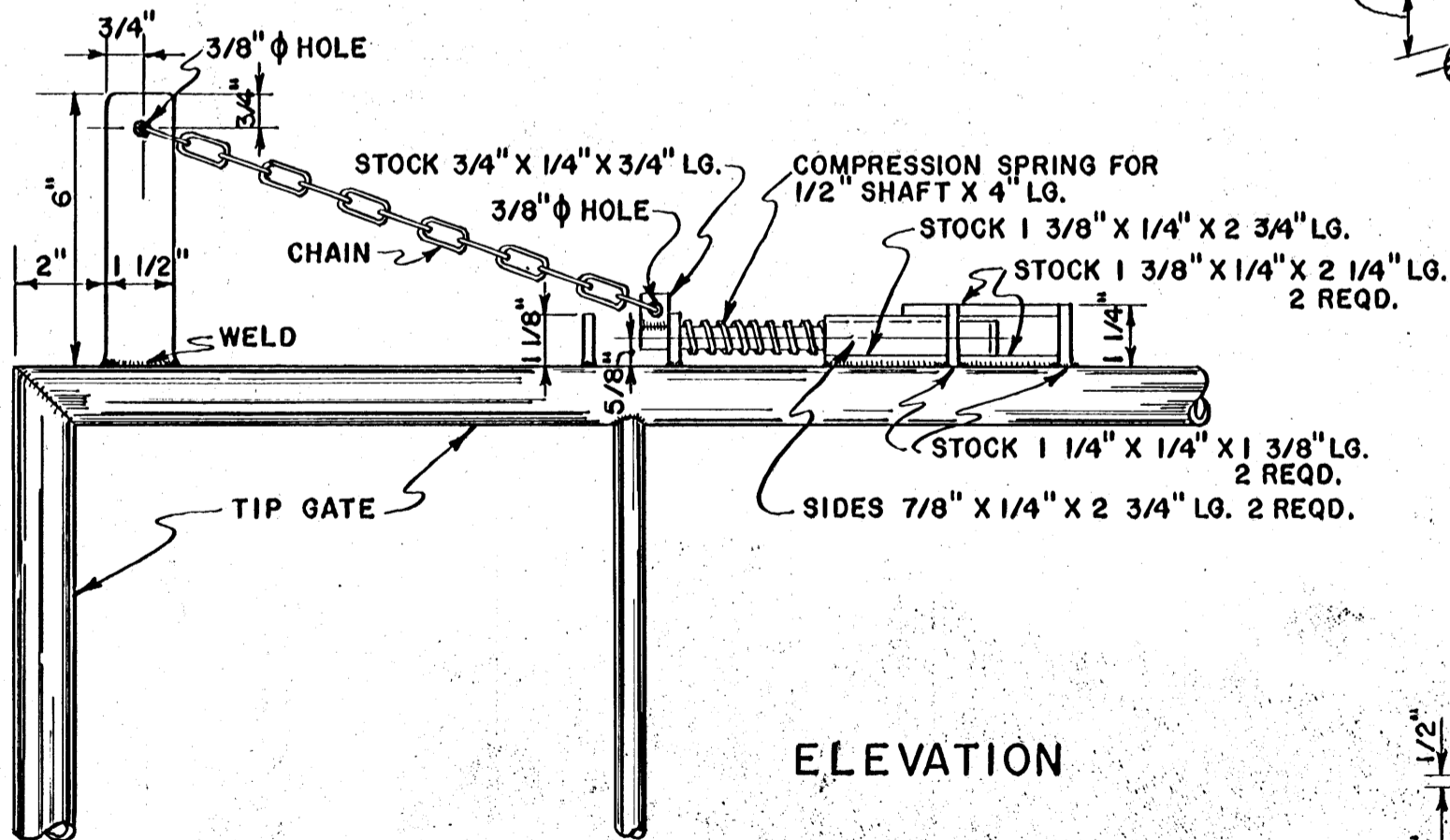
FRONT END VIEW



RIGHT SIDE VIEW

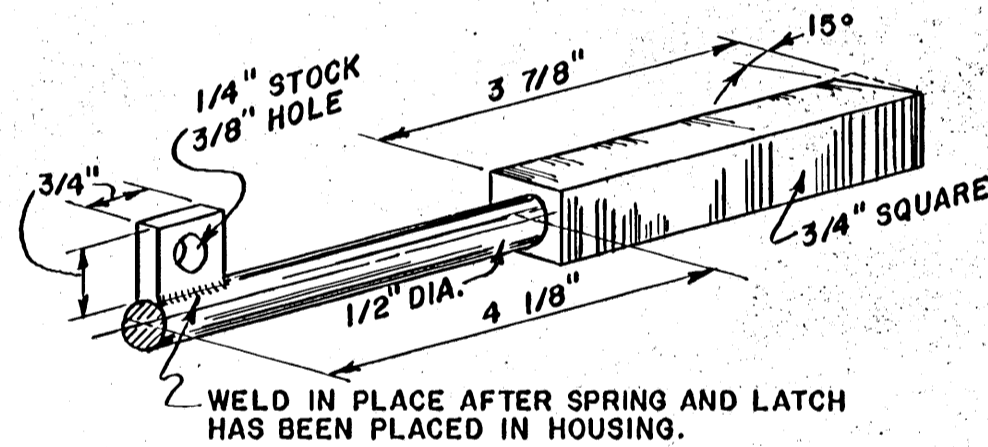


PLAN

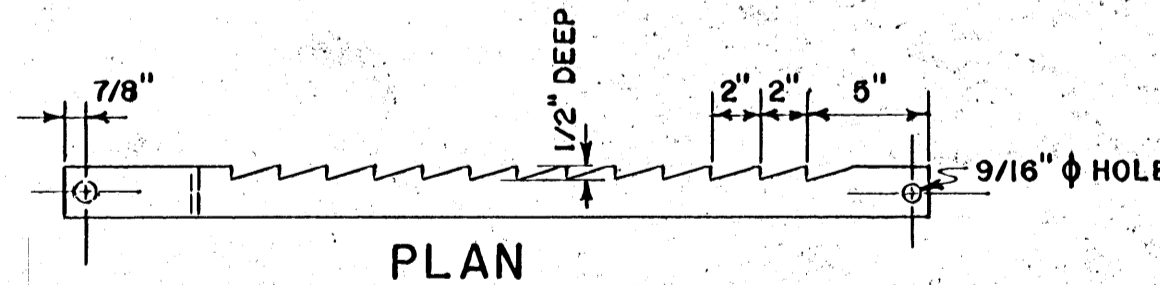


ELEVATION

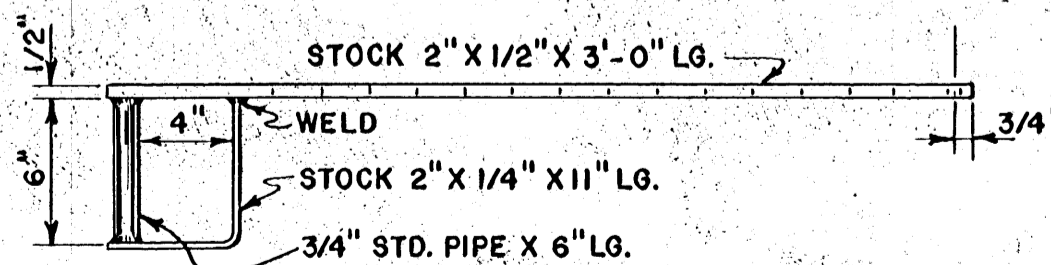
DETAILS OF SQUEEZE LATCH
 (ONE REQUIRED)
 SCALE: 3" = 1'-0"



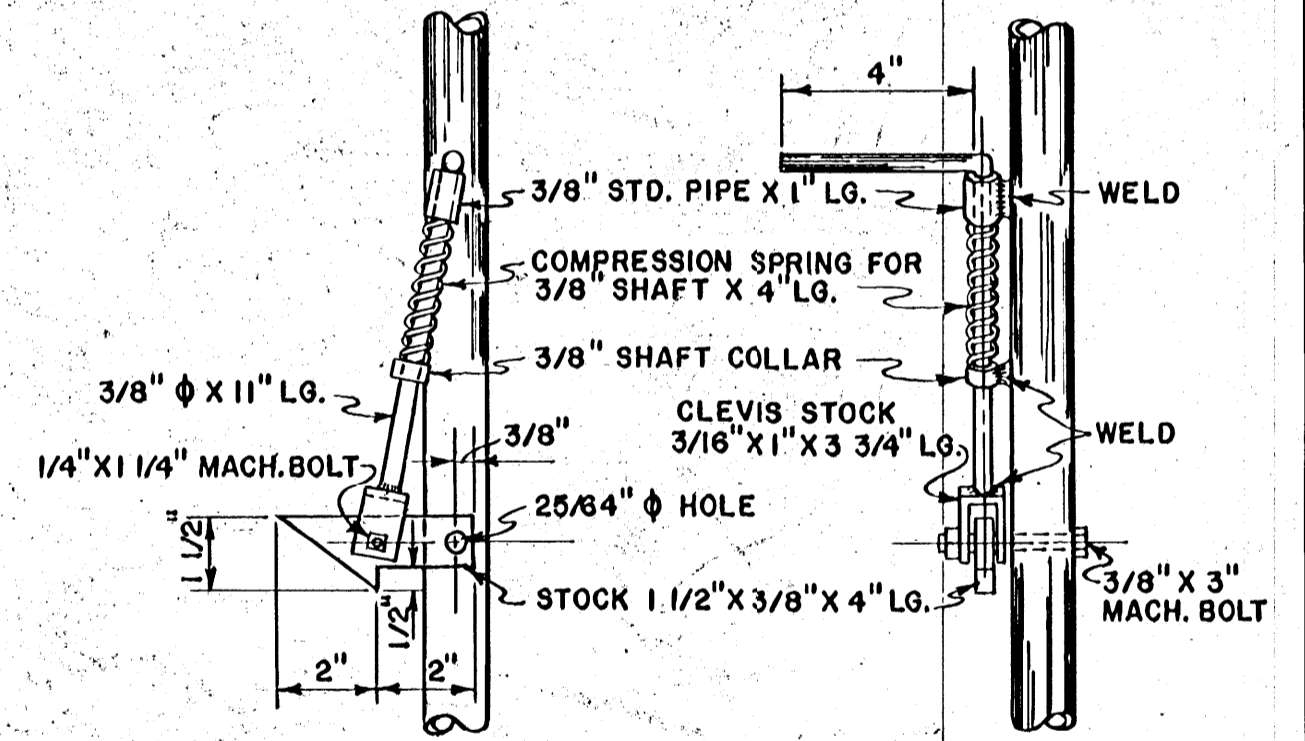
LATCH DETAIL
 SCALE: HALF SIZE



PLAN



ELEVATION
 DETAIL OF RATCHET BAR
 (ONE REQUIRED)
 SCALE: 1 1/2" = 1'-0"



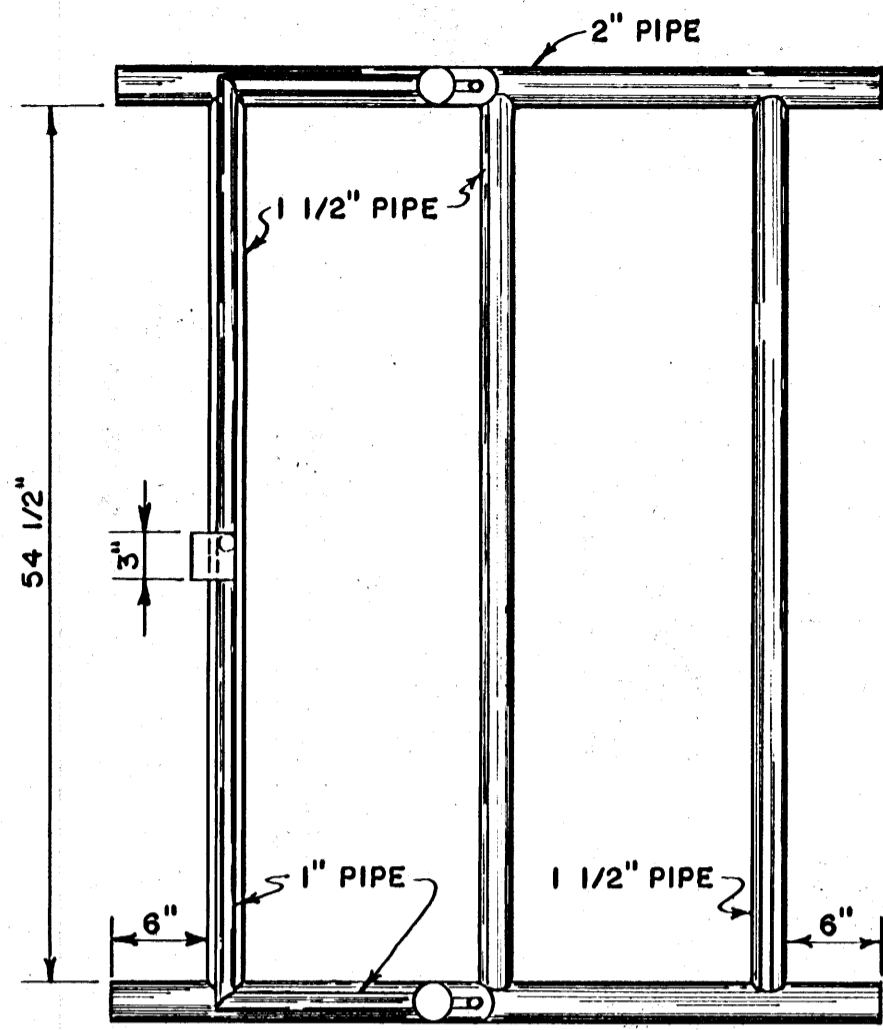
DETAIL OF TIP LATCH
 (ONE REQUIRED)
 SCALE: 3" = 1'-0"

SCALE: 1" = 1'-0" EXCEPT AS OTHERWISE NOTED.

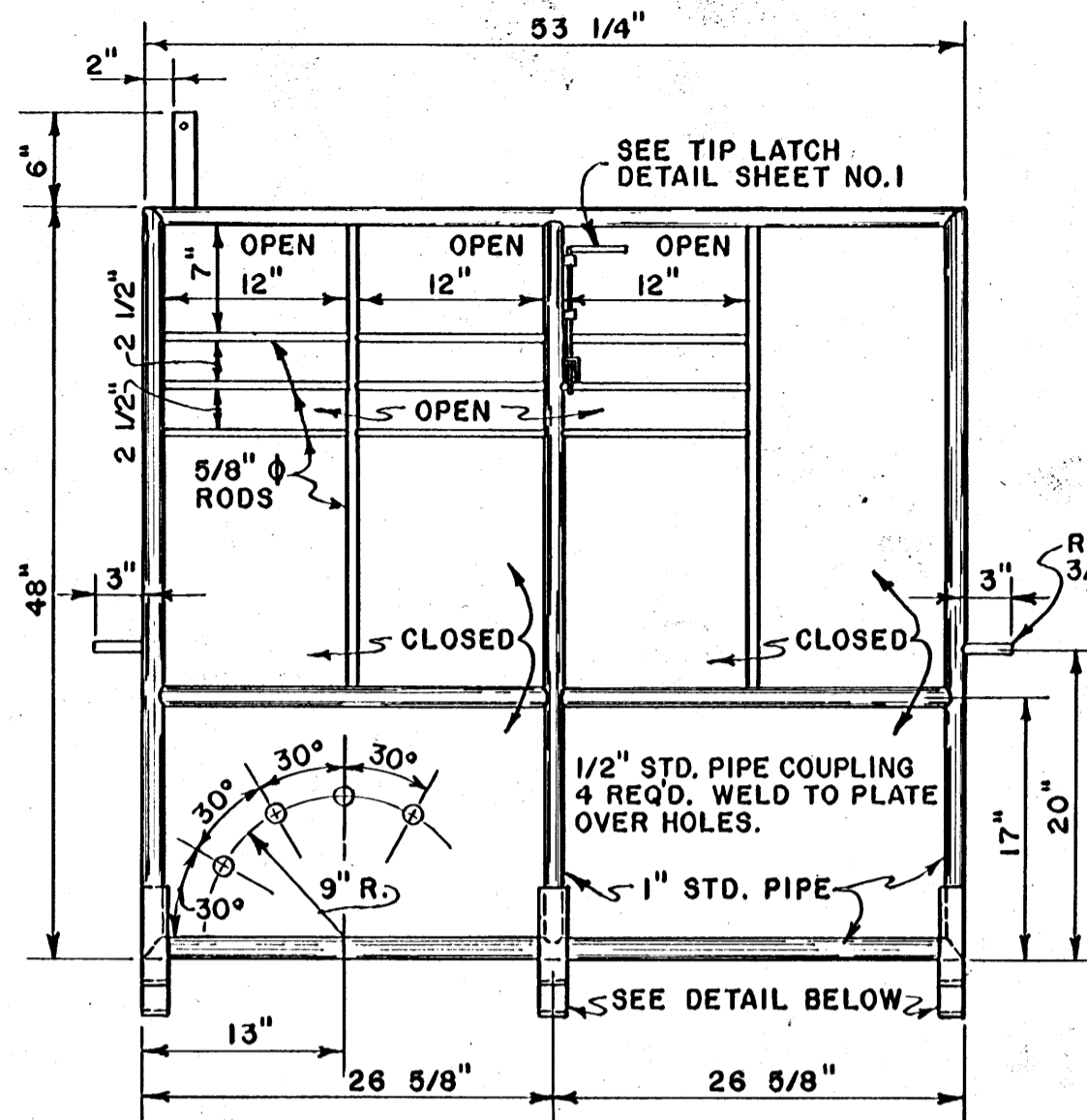
COOPERATIVE EXTENSION WORK IN
 AGRICULTURE AND HOME ECONOMICS
 STATE OF MISSISSIPPI
 MISSISSIPPI STATE UNIVERSITY
 AND
 UNITED STATES DEPARTMENT OF AGRICULTURE COOPERATING

TILTING CALF TABLE
 PIPE FRAME

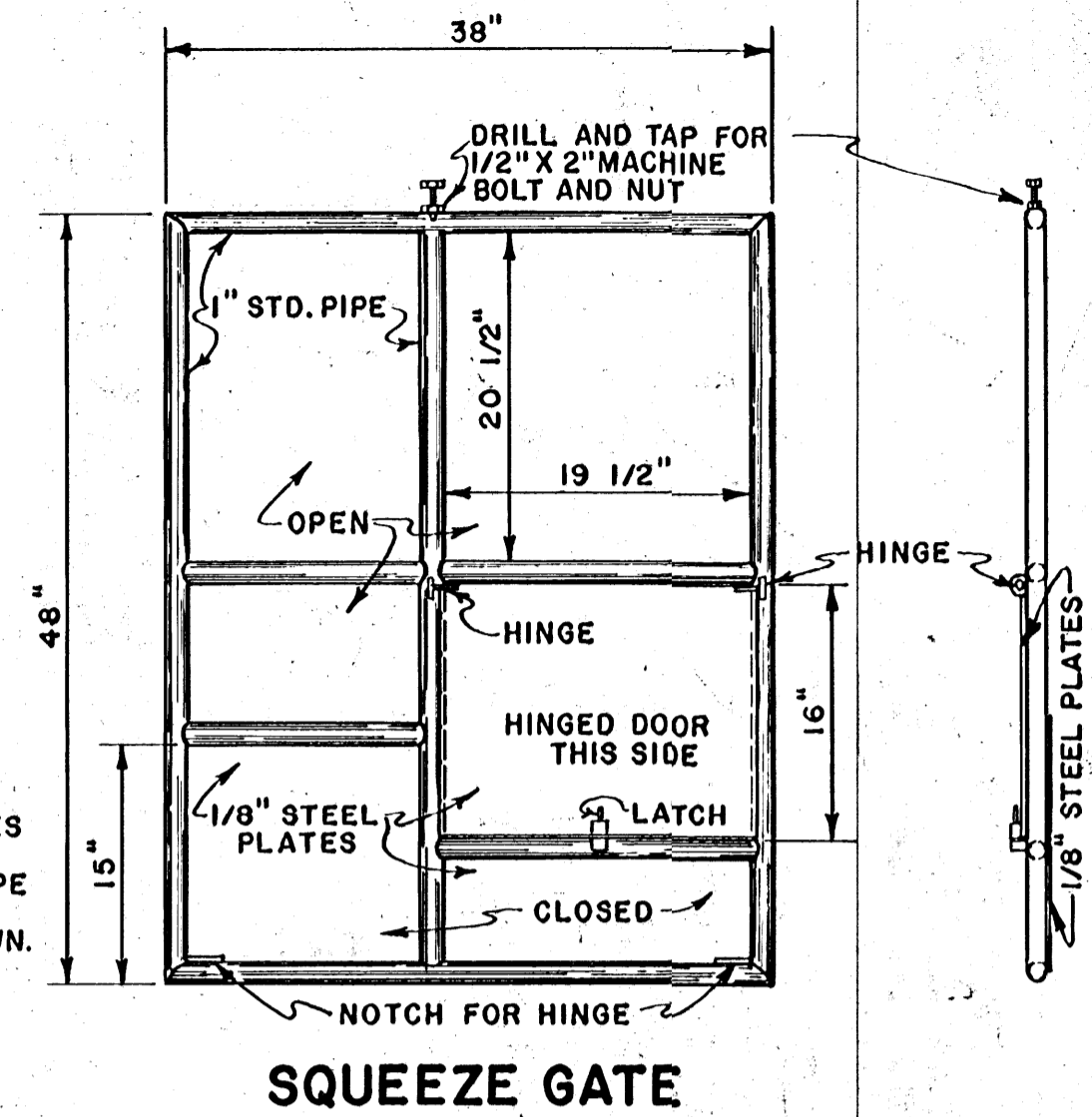
USDA '64 EX. 5969 SHEET 1 OF 2



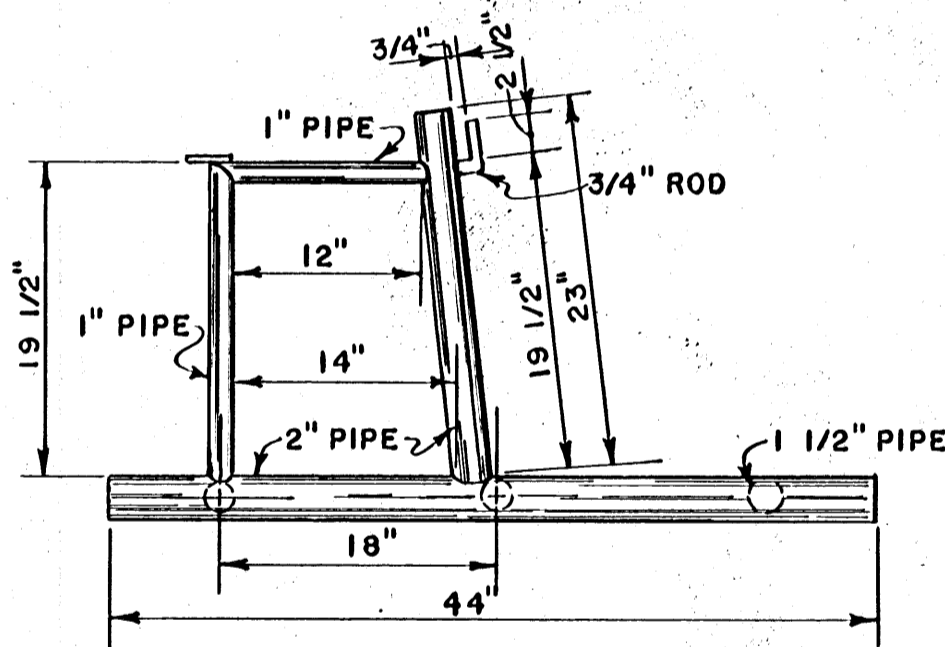
PLAN OF BASE FRAME



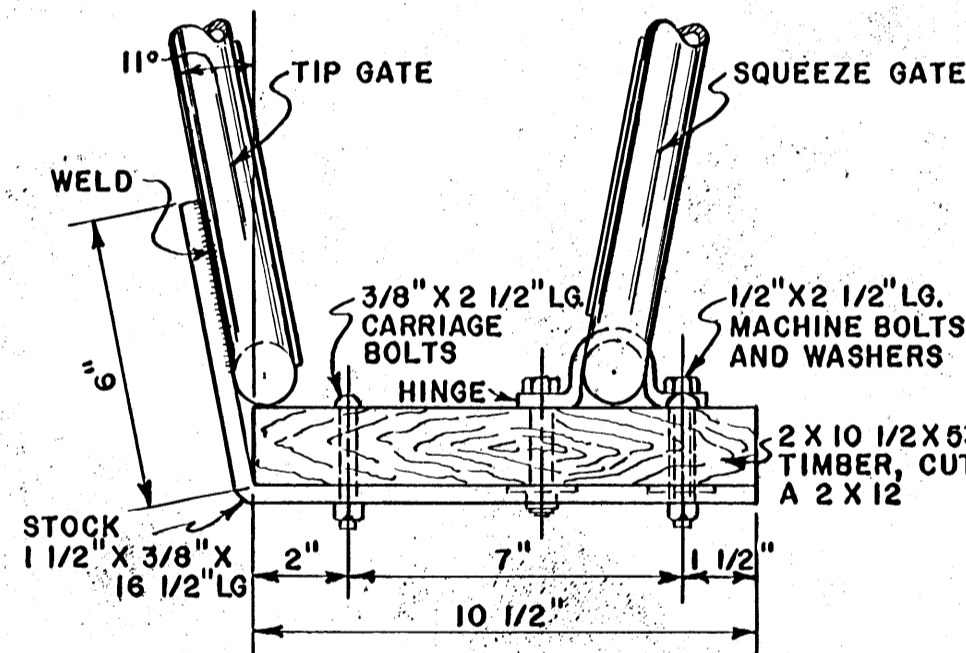
TIP GATE



SQUEEZE GATE

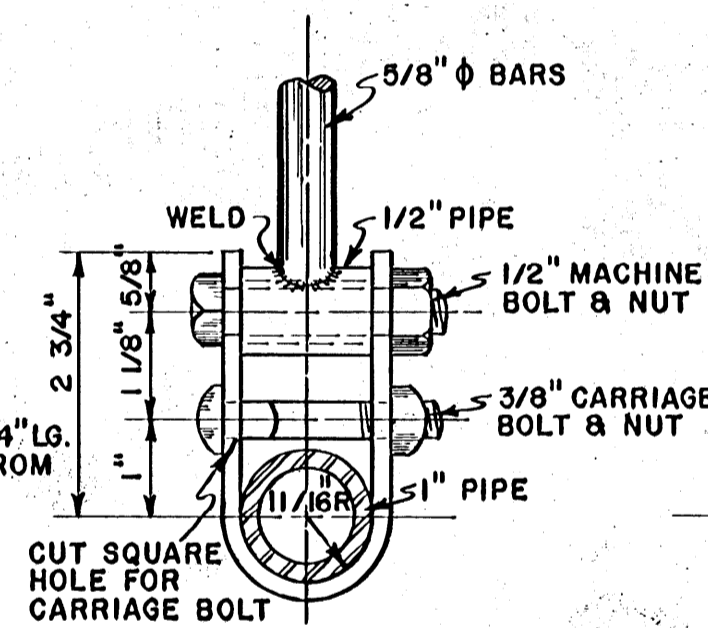


ELEVATION OF BASE FRAME



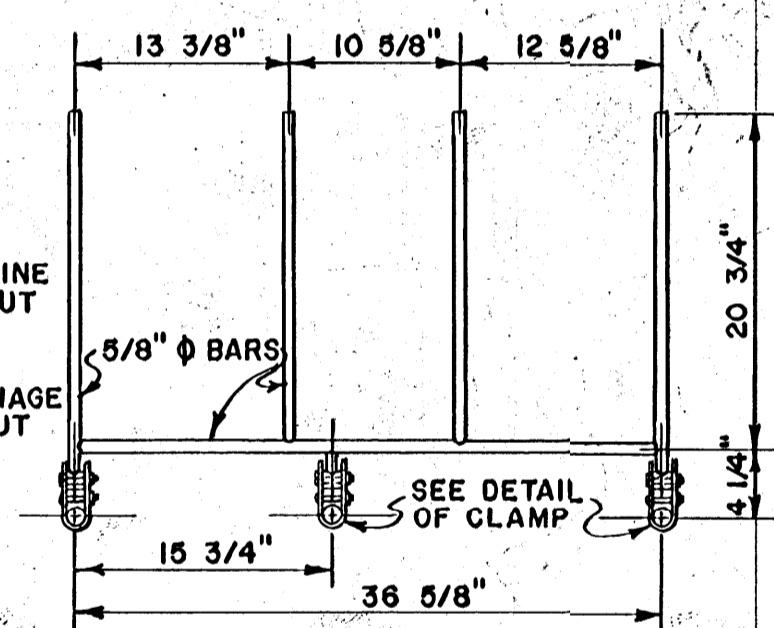
ASSEMBLY DETAIL

SCALE: 3" = 1'-0"



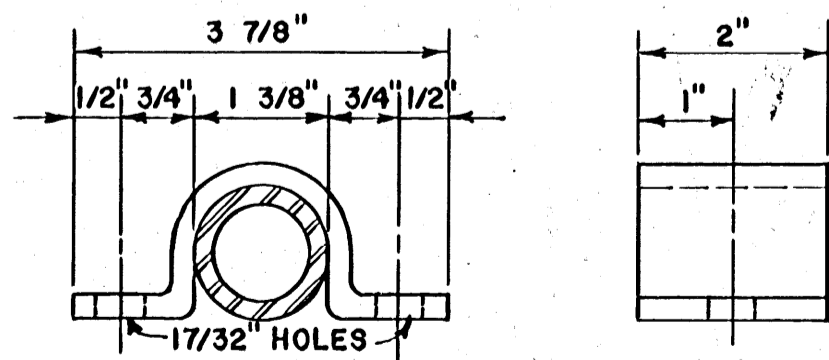
CLAMP DETAIL

(THREE REQUIRED)
SCALE: HALF SIZE



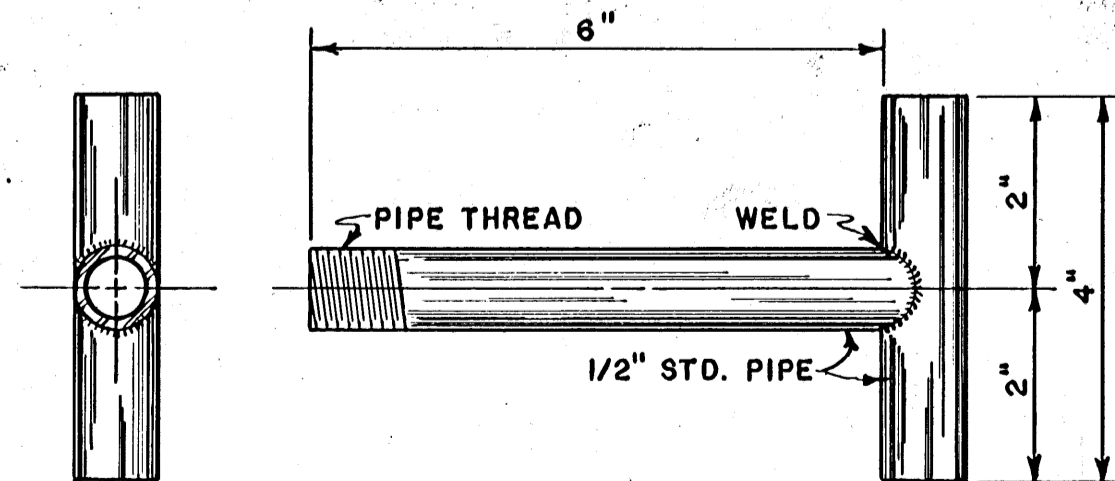
COVER BARS

(ONE REQUIRED)



SQUEEZE GATE HINGE

(TWO REQUIRED) STOCK 2" X 1/4" X 6"
SCALE: HALF SIZE



LEG HOLDER

(TWO REQUIRED)
SCALE: HALF SIZE

SCALE: 1" = 1'-0" EXCEPT AS OTHERWISE NOTED.

COOPERATIVE EXTENSION WORK IN
AGRICULTURE AND HOME ECONOMICS
STATE OF MISSISSIPPI
MISSISSIPPI STATE UNIVERSITY
AND
UNITED STATES DEPARTMENT OF AGRICULTURE COOPERATING

TILTING CALF TABLE
PIPE FRAME

USDA '64 EX. 5969 SHEET 2 OF 2