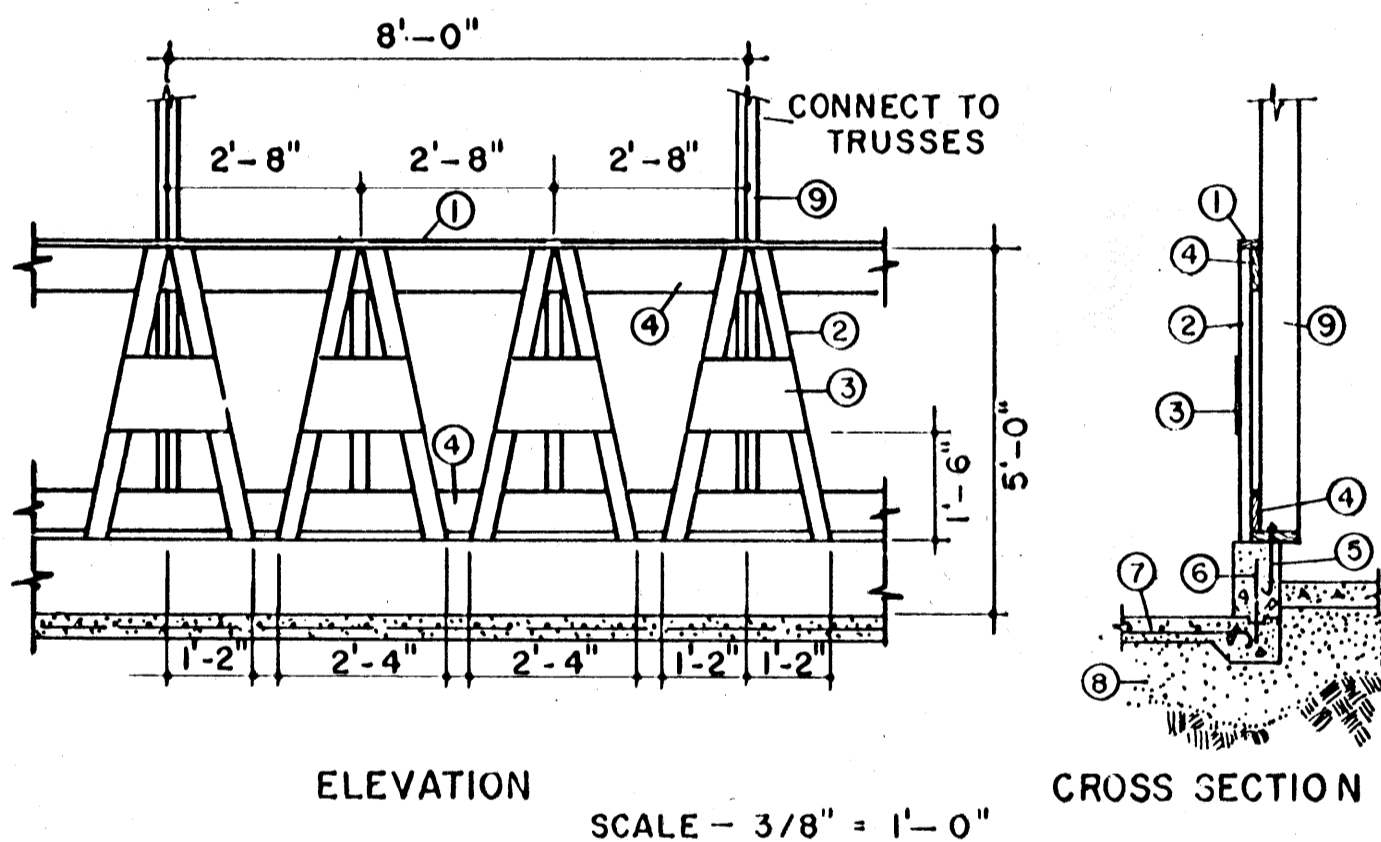


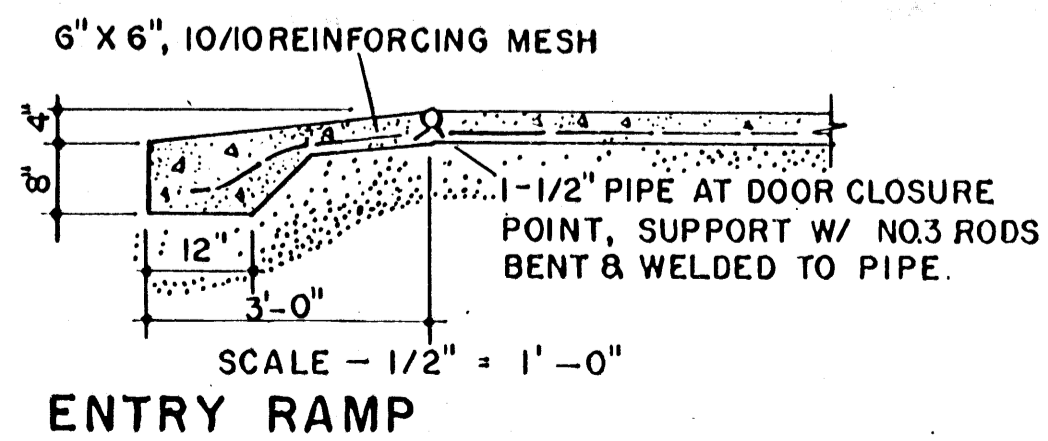
**TILT-UP CONCRETE SILAGE BUNK**



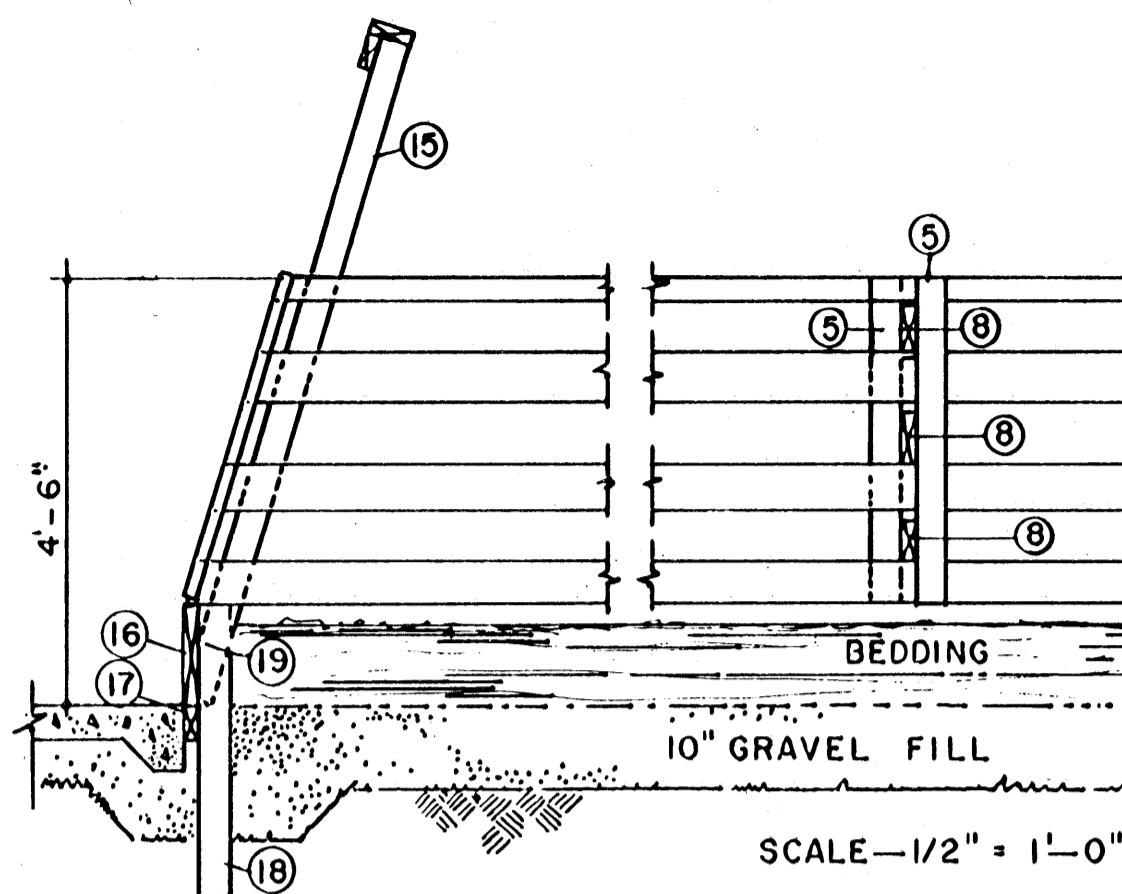
**NOTES**

- |                                    |  |
|------------------------------------|--|
| 1. 2" x 4" x 16'-0" CAP            | 5. 3/8" ANCHOR BOLT 4'-0" O.C.         |
| 2. 2" x 4" x 4'-0" HAY RACK MEMBER | 6. NO. 3 RE. ROD, 1'-6" LONG, 12" O.C. |
| 3. 1" x 12" x 1'-9" "              | 7. 6" x 6", 10/10 REINFORCING MESH     |
| 4. 2" x 6" x 16'-0"                | 8. GRAVEL FILL                         |
|                                    | 9. TWO 2" x 6" x 7'-0" STALL POST      |

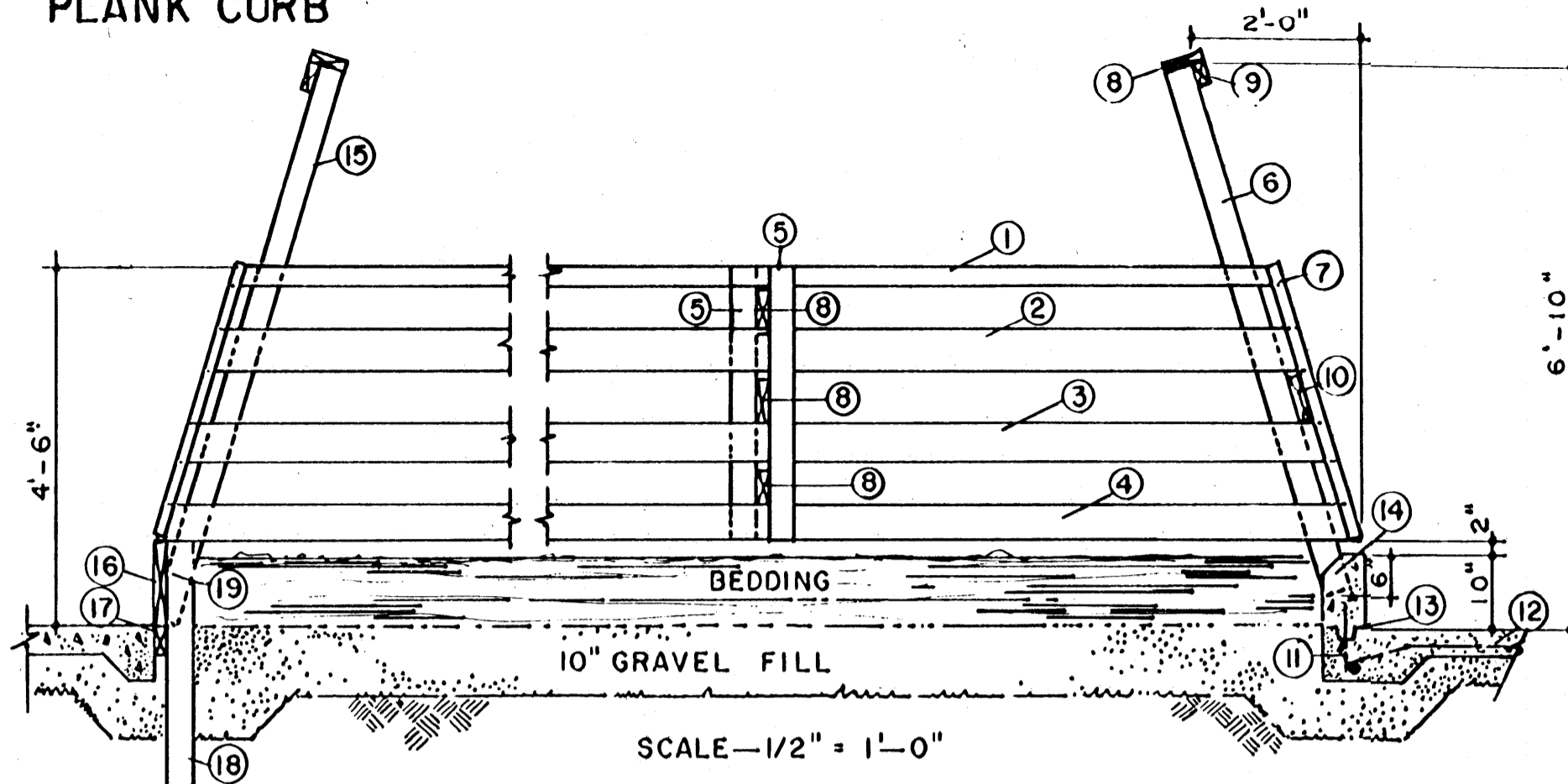
**HAY RACK**



**PLANK CURB**



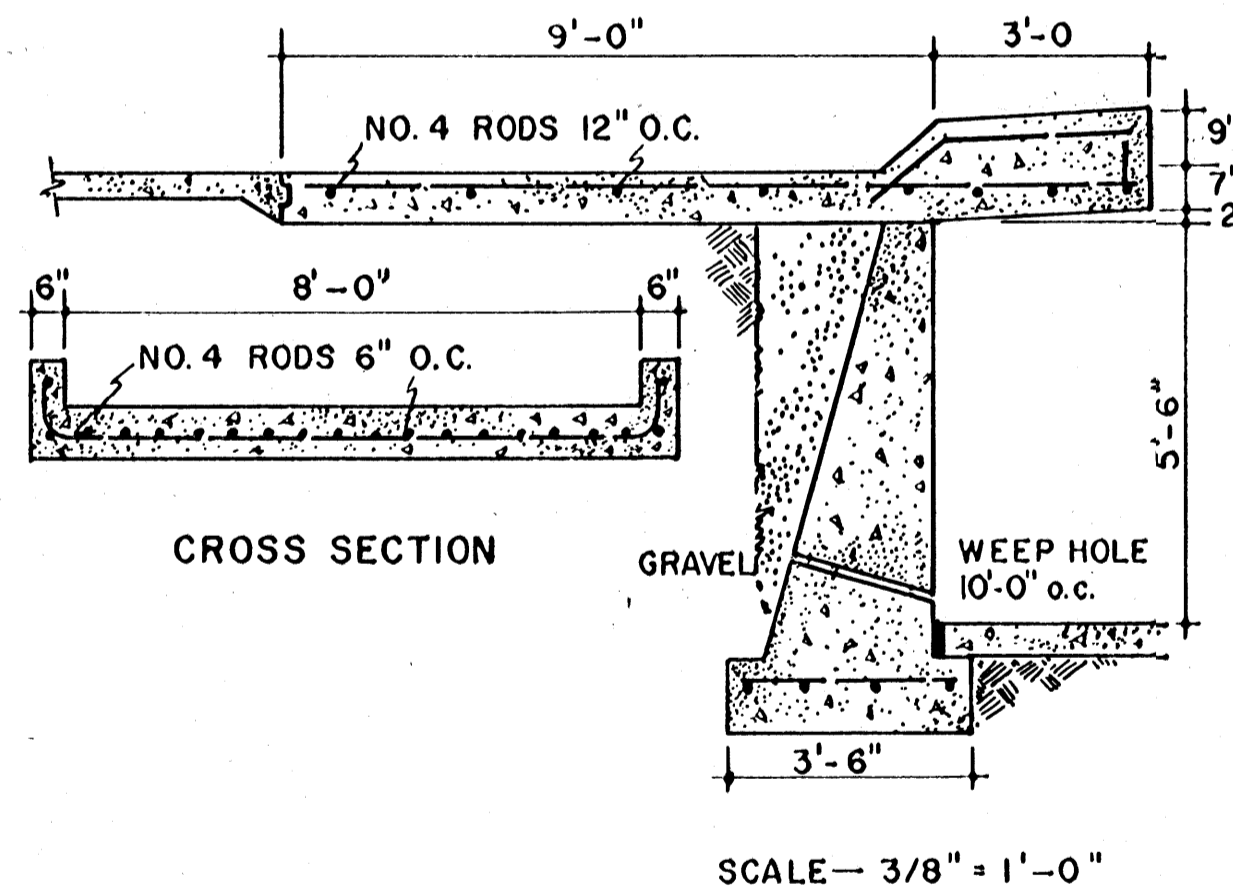
**CONCRETE CURB**



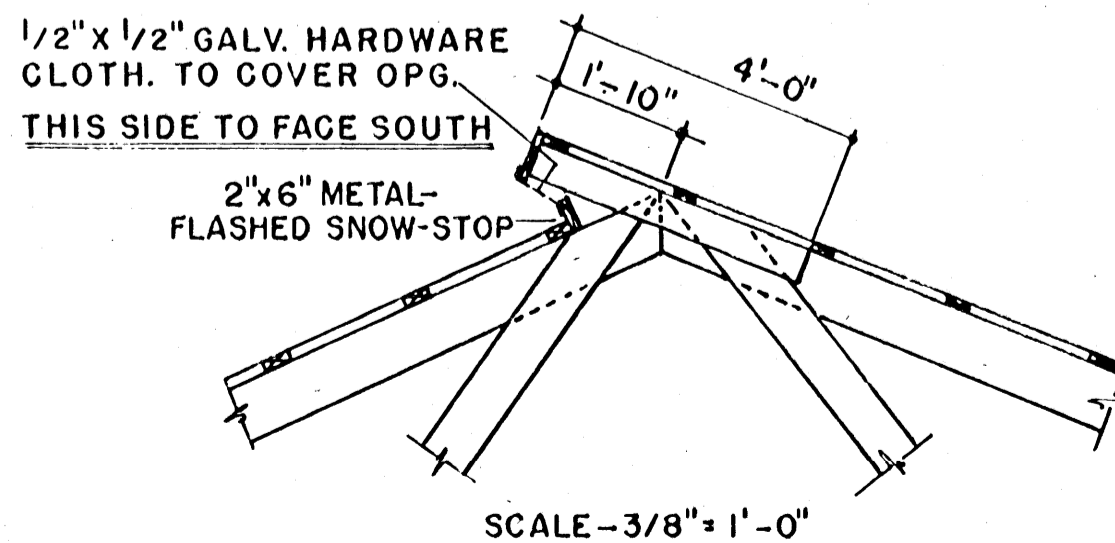
**NOTES**

- |                                     |   |                                      |
|-------------------------------------|---|--------------------------------------|
| 1. 2" x 4" x 13'-0" PARTITION PLANK | 7. 2" x 2" x 3'-6" NAILER                 | 13. 1" x 2" KEY CAST IN ALLEY FLOOR  |
| 2. 2" x 6" x 13'-8" "               | 8. 2" x 6" x 12'-0" "                     | 14. 4" x 4" x 4" SOCKET CAST IN CURB |
| 3. 2" x 6" x 14'-4" "               | 9. 2" x 4" x 12'-0" "                     | 15. 4" x 4" x 7'-0" STALL POST       |
| 4. 2" x 6" x 14'-8" "               | 10. 2" x 6" x 4'-0" RESTRAINER            | 16. 2" x 12" PRESSURE TREATED PLANK  |
| 5. 2" x 4" x 3'-4" BRACE            | 11. NO. 3 (3/8") REINFORCING ROD 12" O.C. | 17. 2" x 4" "                        |
| 6. 4" x 4" x 7'-0" STALL POST       | 12. 6" x 6", 10/10 WIRE REINFORCING MESH  | 18. 4" DIAM. x 3'-0" P. T. POST      |
|                                     | 19. 1/2" GALVANIZED CARRIAGE BOLTS        |                                      |

**SLOPING POST FREE STALL**



**MANURE LIP**



**CONTINUOUS RIDGE VENTILATOR**