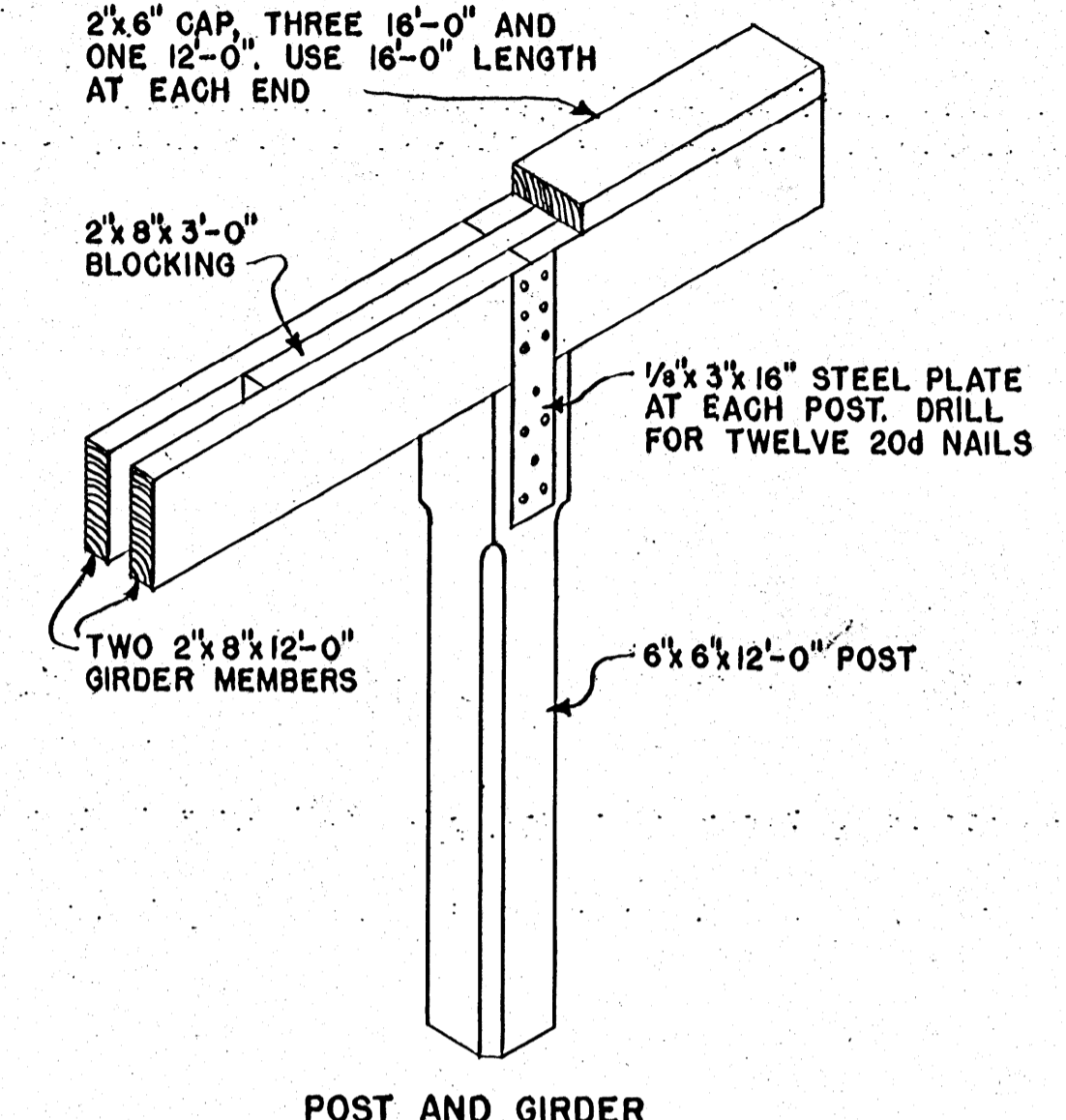
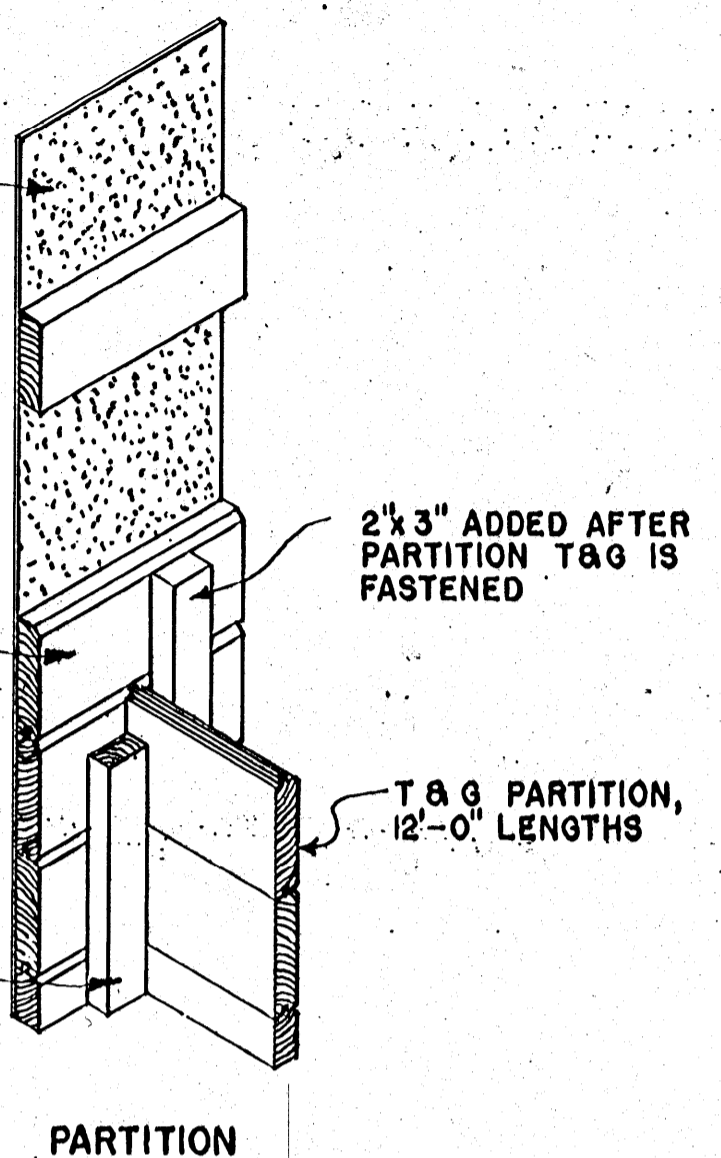
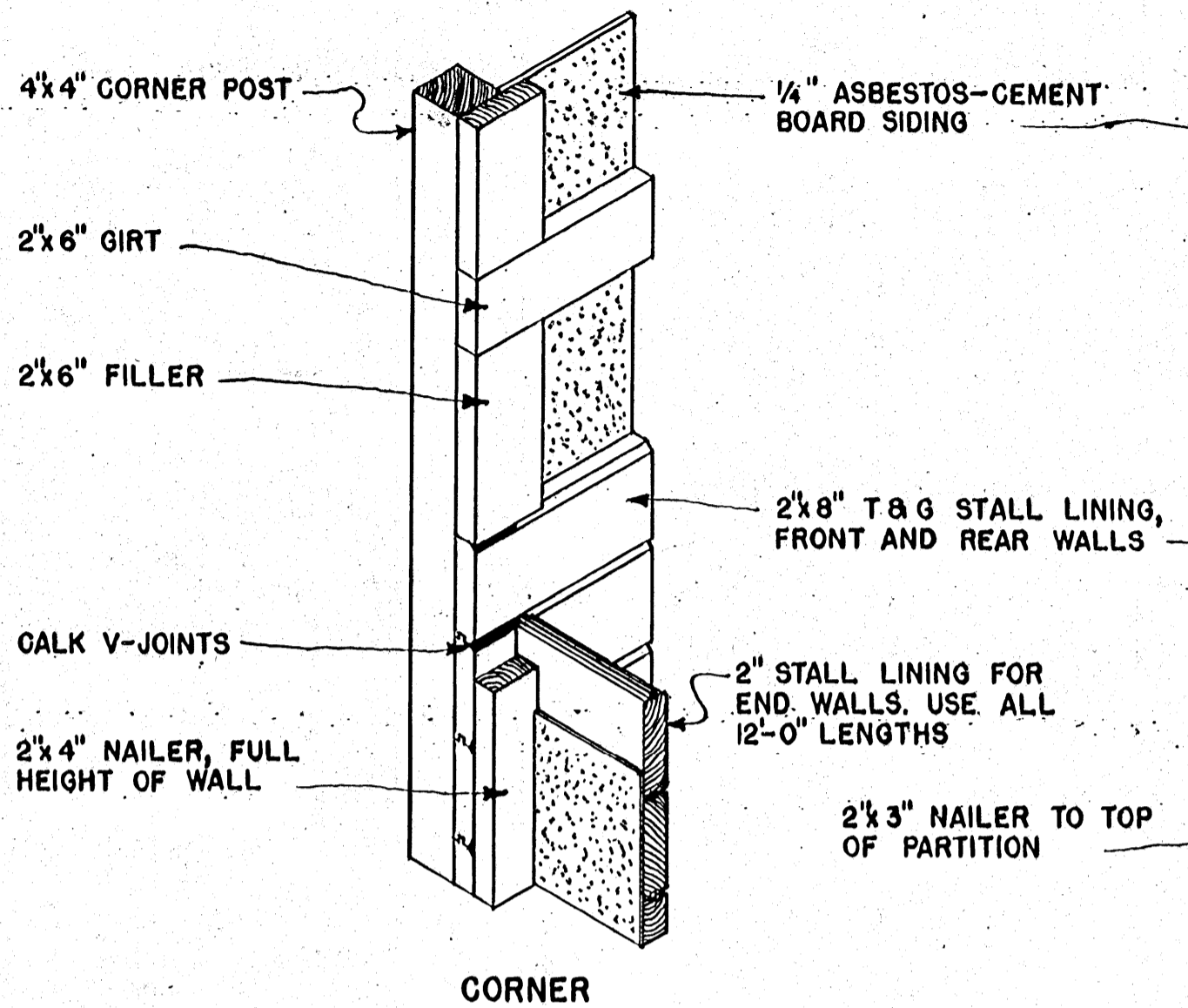


ALL POSTS AND OTHER WOOD MEMBERS WITHIN 2'-0" OF GRADE LINE TO BE PRESSURE-TREATED WITH PRESERVATIVE

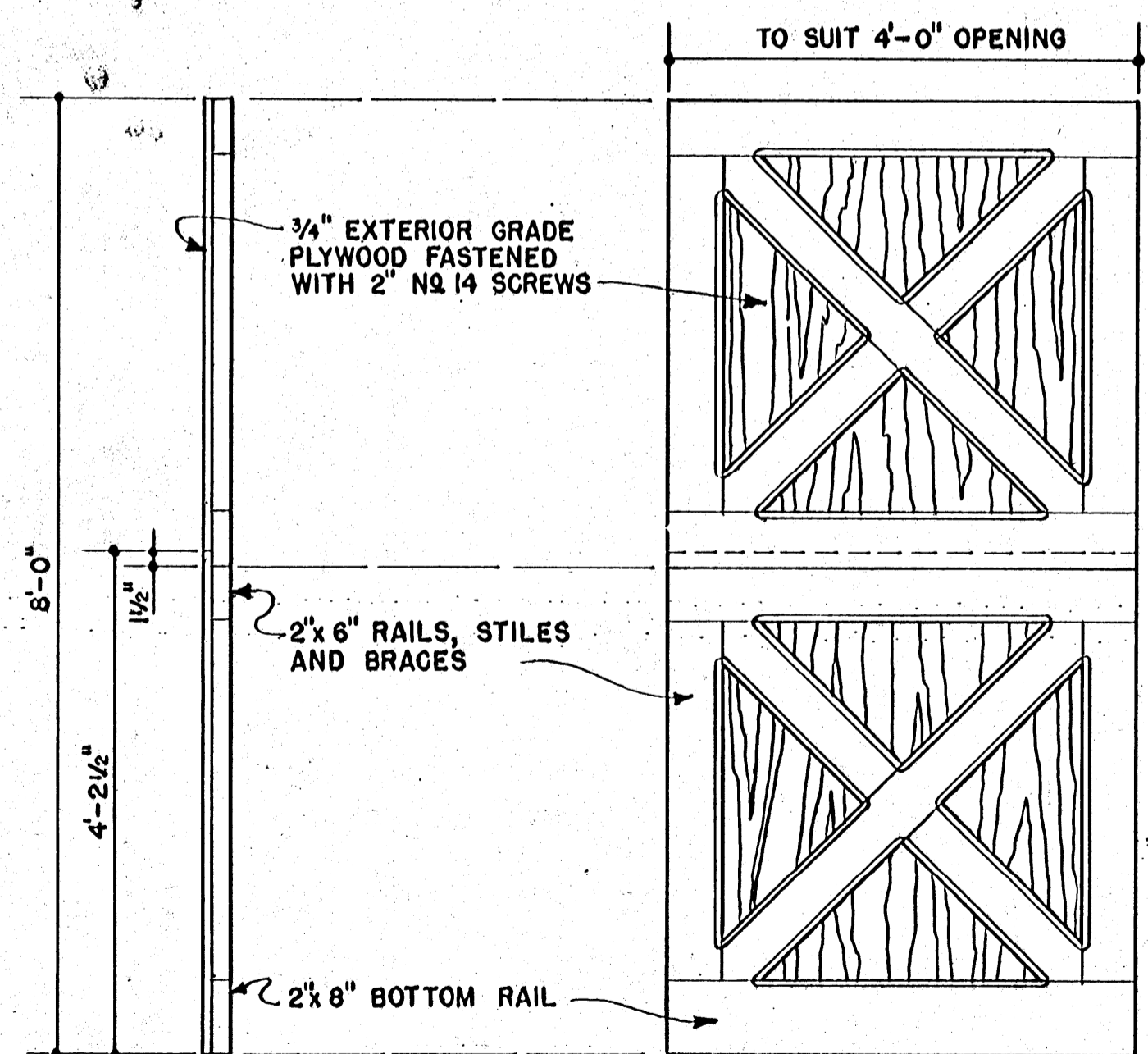
COOPERATIVE EXTENSION WORK IN AGRICULTURE AND HOME ECONOMICS
 STATE OF MISSISSIPPI
 MISSISSIPPI STATE UNIVERSITY
 AND UNITED STATES DEPARTMENT OF AGRICULTURE COOPERATING

POLE-TYPE
SADDLE HORSE BARN

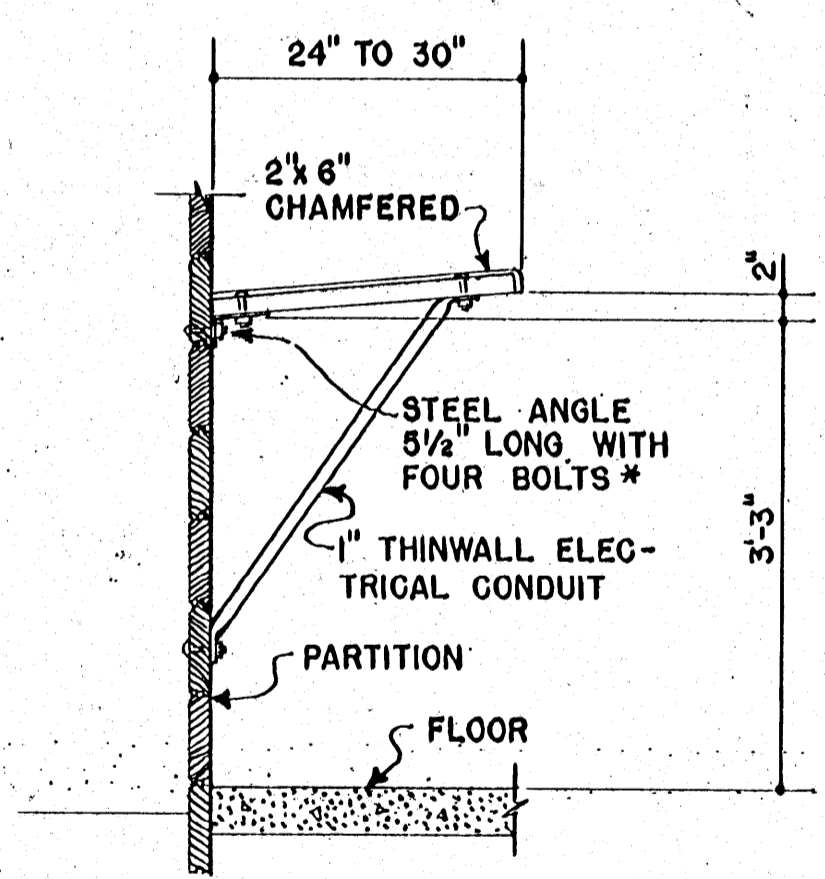
USQA '65 EX. 5994 SHEET 1 OF 2



TYPICAL DETAILS



USE HEAVY DUTY HINGES AND DOOR BOLTS



* 3/8" DIAM. CARRIAGE BOLTS SPACE RACKS 24" TO 30" APART

SADDLE RACK

COOPERATIVE EXTENSION WORK IN AGRICULTURE AND HOME ECONOMICS
 STATE OF MISSISSIPPI
 MISSISSIPPI STATE UNIVERSITY
 AND
 UNITED STATES DEPARTMENT OF AGRICULTURE COOPERATING

POLE-TYPE
 SADDLE HORSE BARN

USDA	'65	EX. 5994	SHEET 2 OF 2
------	-----	----------	--------------