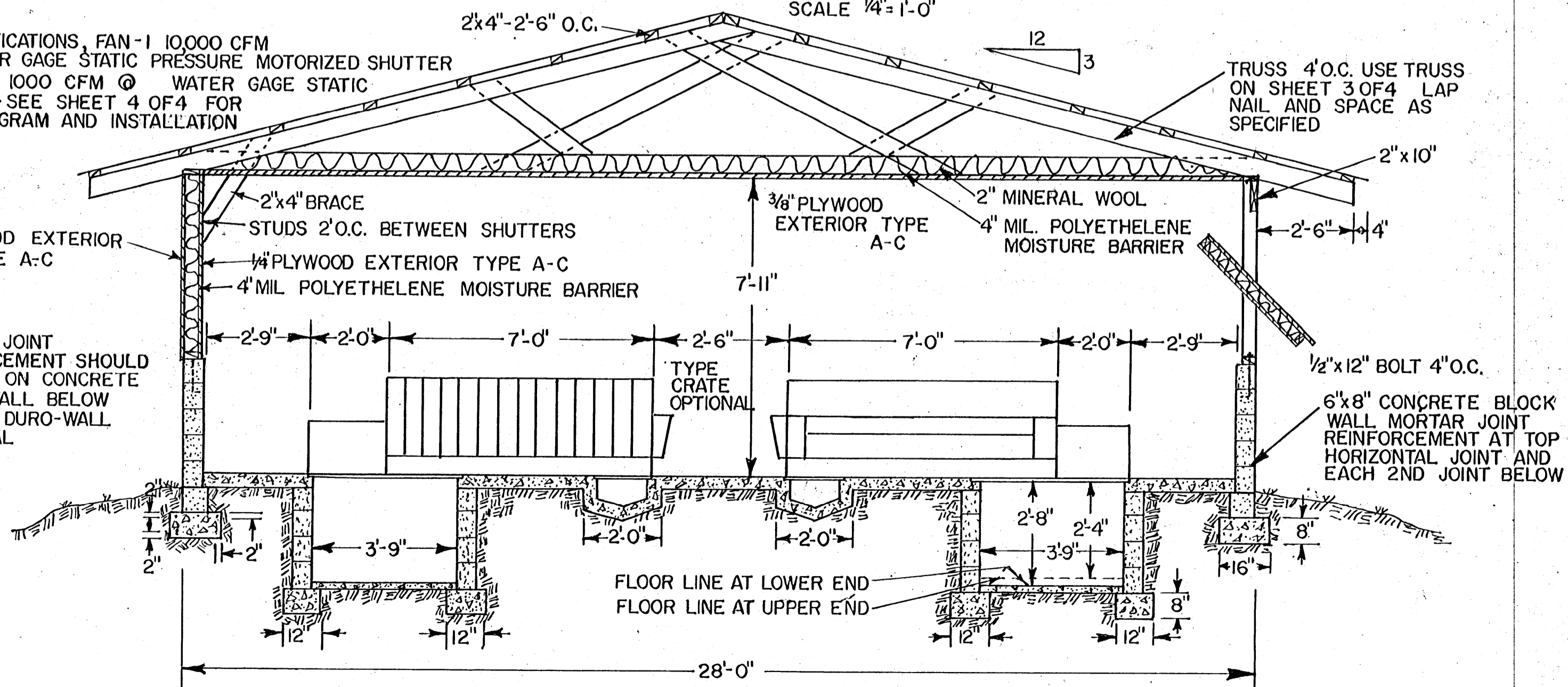


**FLOOR PLAN**  
SCALE 1/4" = 1'-0"

FAN SPECIFICATIONS, FAN-1 10,000 CFM  
 Ⓞ WATER GAGE STATIC PRESSURE MOTORIZED SHUTTER  
 FAN N°2 1000 CFM Ⓞ WATER GAGE STATIC PRESSURE - SEE SHEET 4 OF 4 FOR WIRING DIAGRAM AND INSTALLATION DETAIL

NOTE 1  
 MORTAR JOINT REINFORCEMENT SHOULD BE USED ON CONCRETE BLOCK WALL BELOW GROUND DURO-WALL OR EQUAL



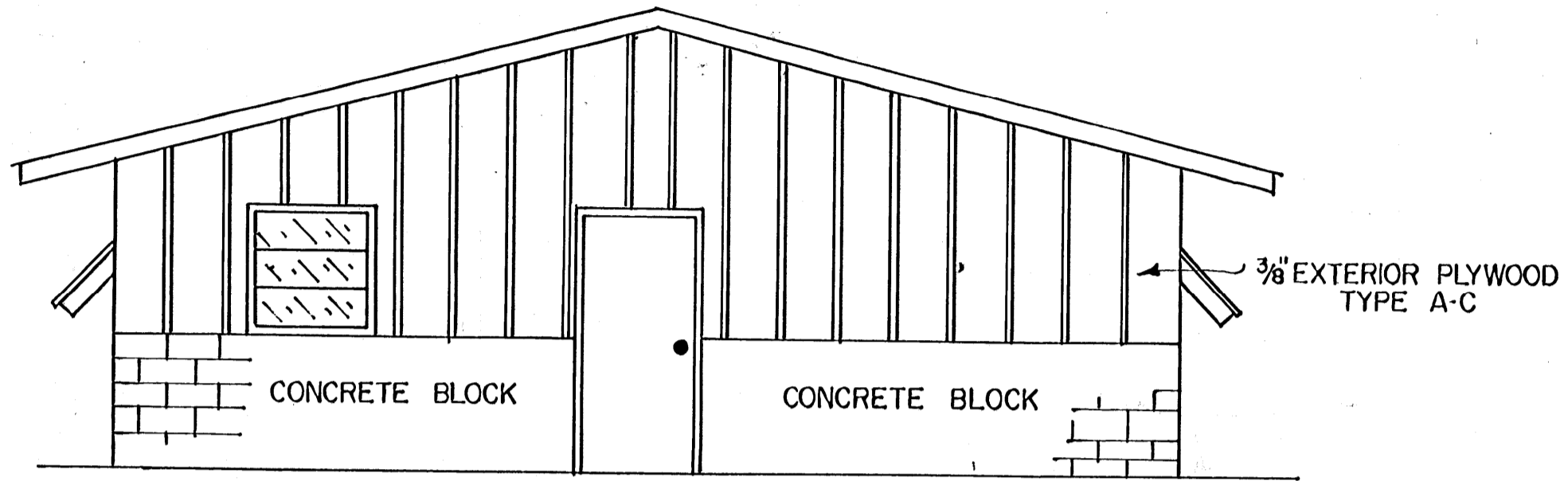
**SECTION - A-A**  
SCALE 3/8" = 1'-0"

**ELECTRICAL LEGEND**

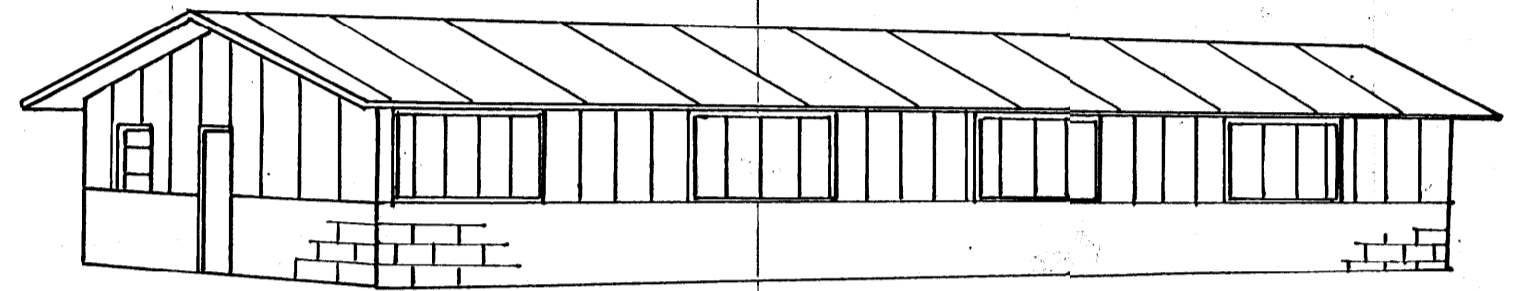
- Ⓞ DUPLEX CONVIENCE OUTLET, CEILING MOUNTED OR STUBBED FROM FLOOR 2" HIGH (FOR HEAT LAMPS)
- Ⓞ CEILING FIXTURE PORCELAIN KEYLESS 100W. MINIMUM 200W. MAXIMUM
- Ⓞ WALL MOUNTED FIXTURE, 14" MIN. DIA. REFLECTOR
- Ⓞ SPECIAL PURPOSE OUTLET
- S<sub>3</sub> THREWAY WALL SWITCH
- S SINGLE POLE WALL SWITCH

ALL WIRING SHALL CONFORM TO THE NATIONAL ELECTRIC CODES STANDARDS

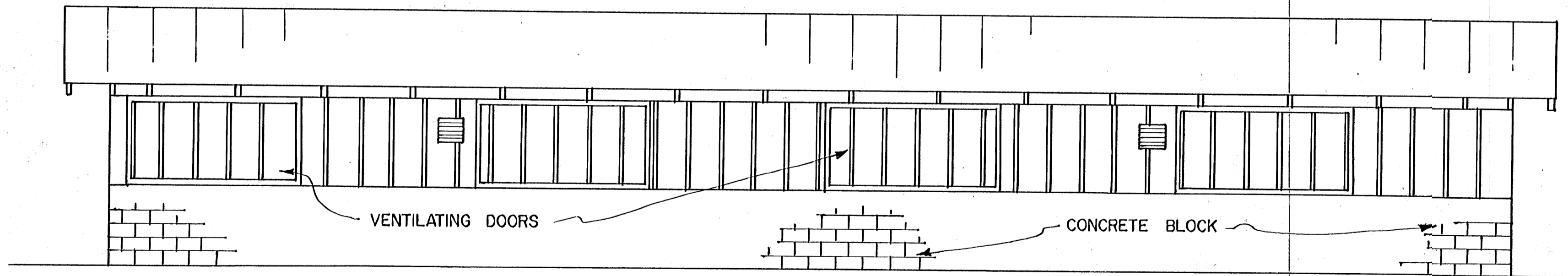
COOPERATIVE EXTENSION WORK IN AGRICULTURE AND HOME ECONOMICS  
 STATE OF MISSISSIPPI  
 MISSISSIPPI STATE UNIVERSITY  
 UNITED STATES DEPARTMENT OF AGRICULTURE COOPERATING



FRONT ELEVATION  
SCALE 1/4"=1'-0"



PERSPECTIVE

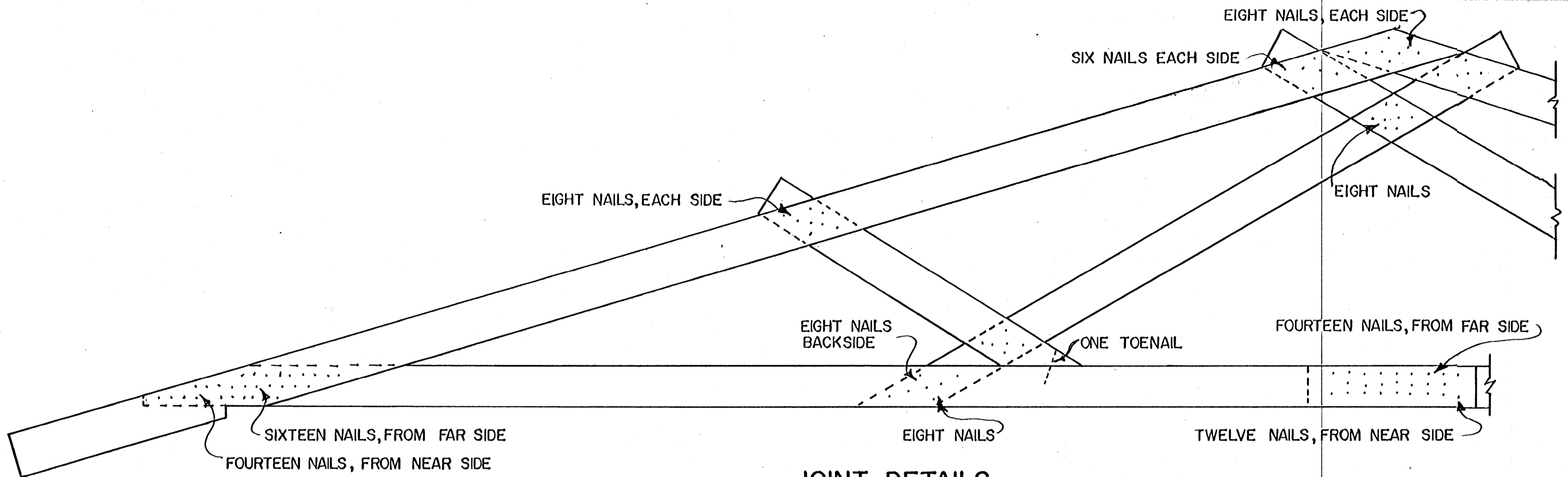


SIDE ELEVATION  
SCALE 1/4"=1'-0"

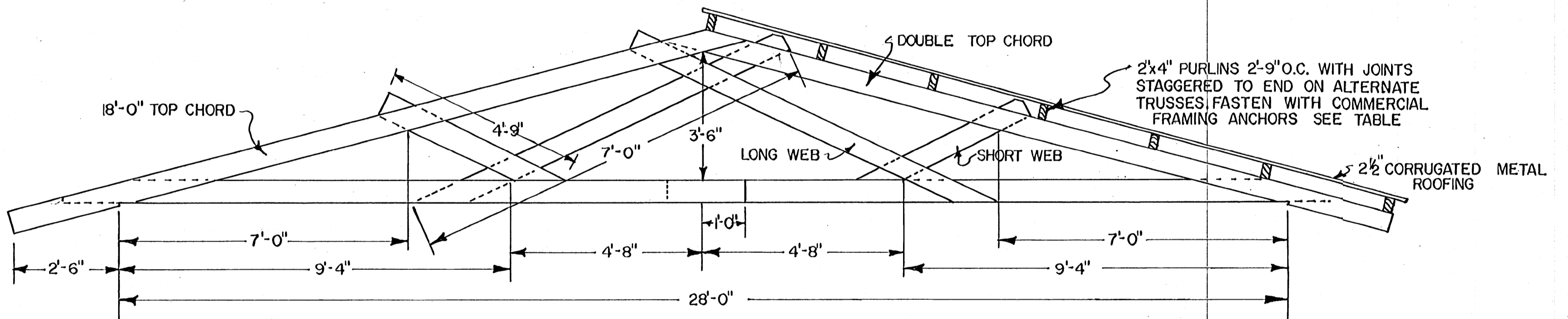
COOPERATIVE EXTENSION WORK IN  
AGRICULTURE AND HOME ECONOMICS  
STATE OF MISSISSIPPI  
MISSISSIPPI STATE UNIVERSITY  
UNITED STATES DEPARTMENT OF AGRICULTURE COOPERATING

PARTIAL SLAT  
FARROWING BARN

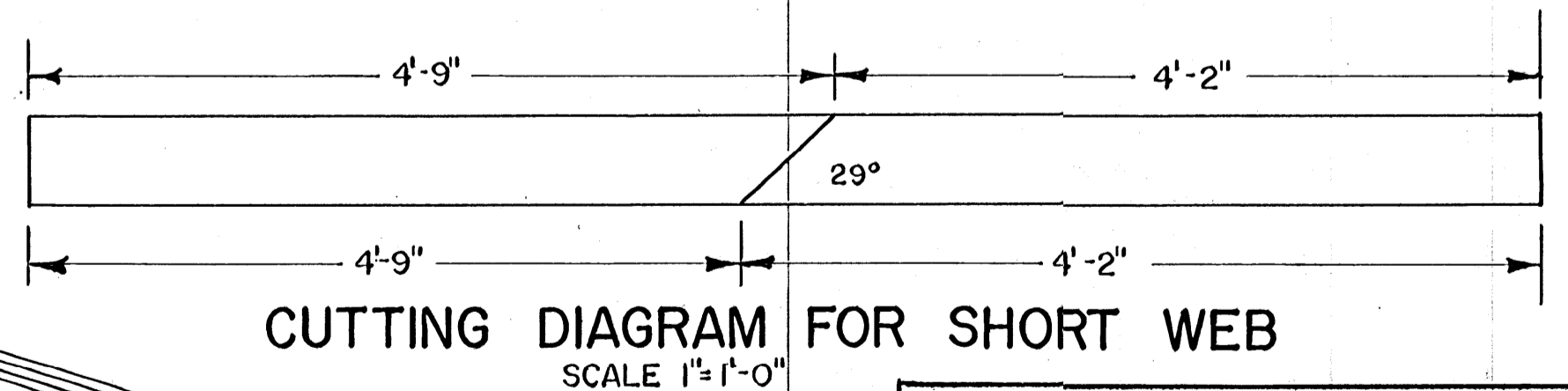
MISS '69 | 6032-A | SHEET 2 OF 4



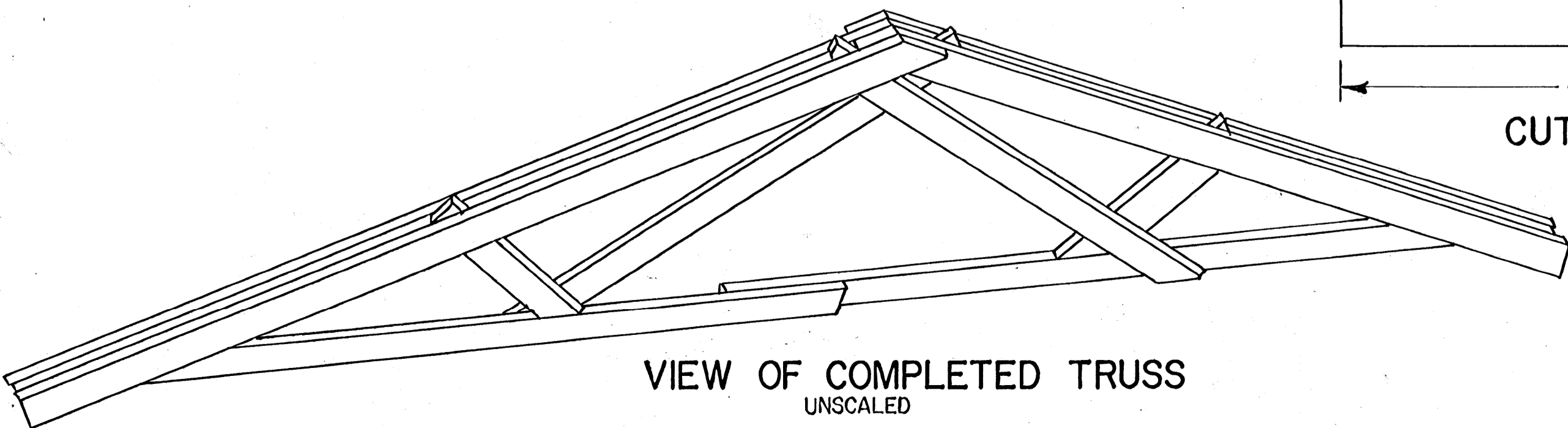
**JOINT DETAILS**  
SCALE 1" = 1'-0"



**ELEVATION**  
SCALE 1/2" = 1'-0"



**CUTTING DIAGRAM FOR SHORT WEB**  
SCALE 1" = 1'-0"

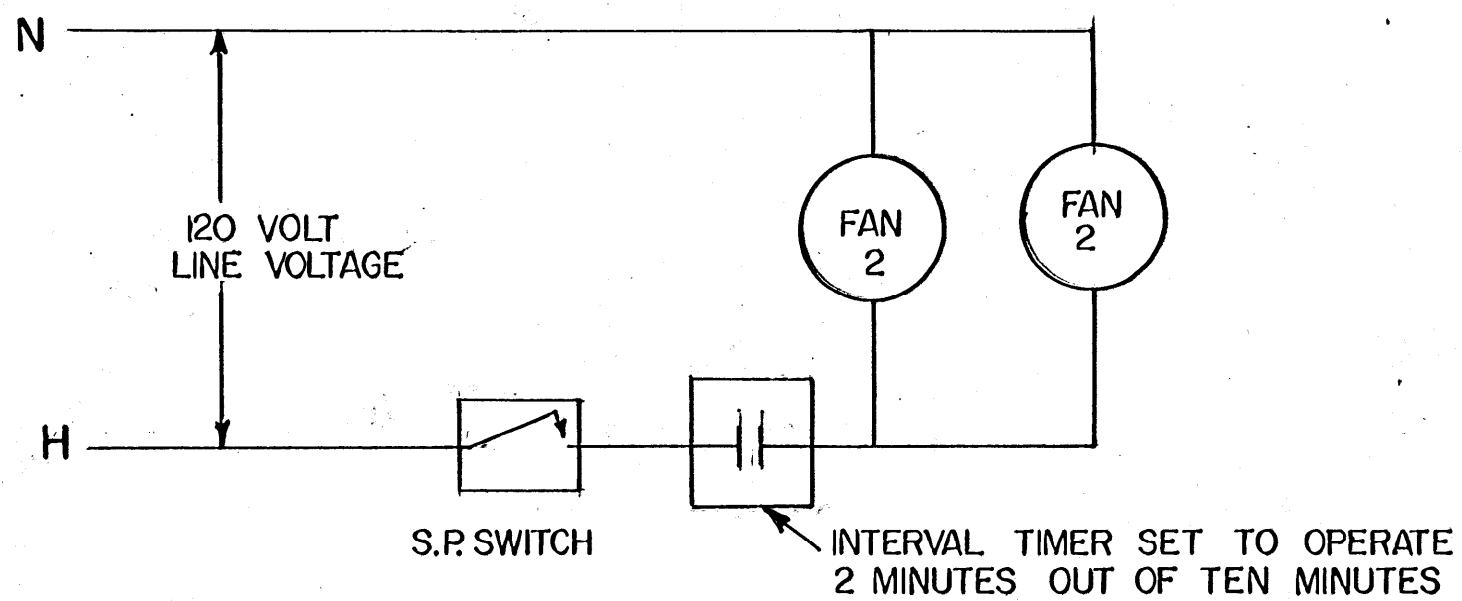


**VIEW OF COMPLETED TRUSS**  
UNSCALED

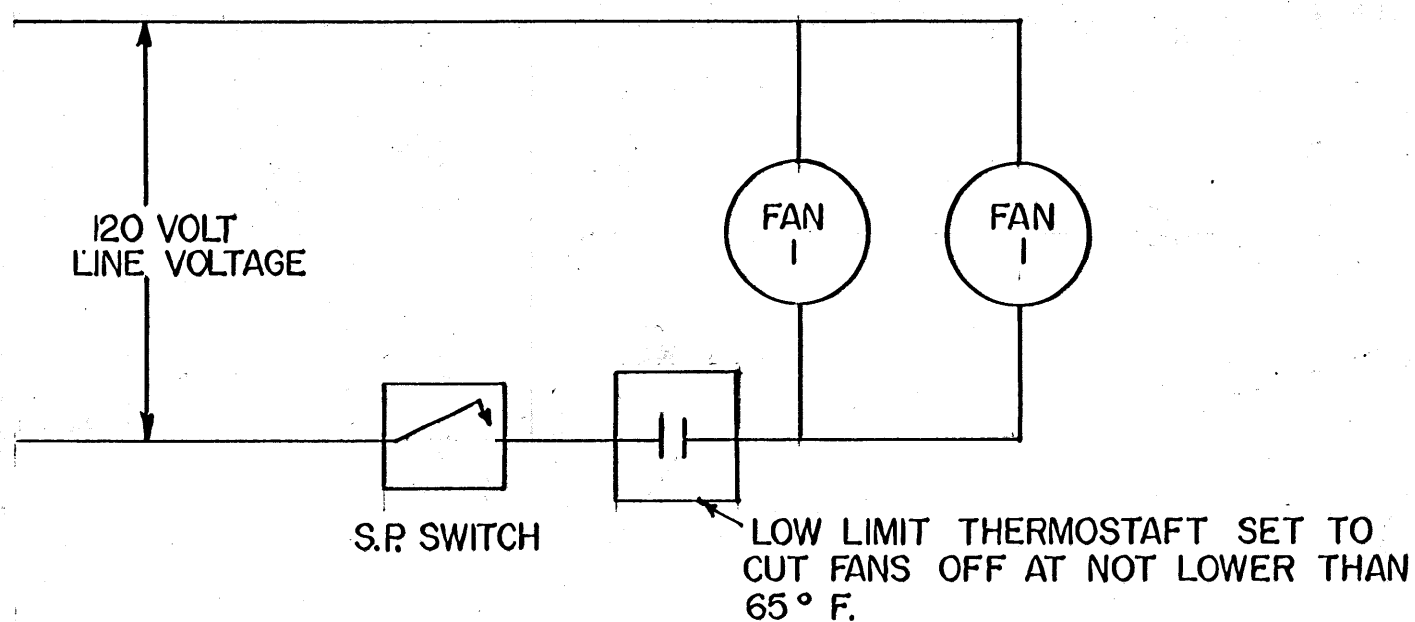
COOPERATIVE EXTENSION WORK IN  
 AGRICULTURE AND HOME ECONOMICS  
 STATE OF MISSISSIPPI  
 MISSISSIPPI STATE UNIVERSITY  
 UNITED STATES DEPARTMENT OF AGRICULTURE COOPERATING

**PARTIAL SLAT  
 FARROWING BARN**

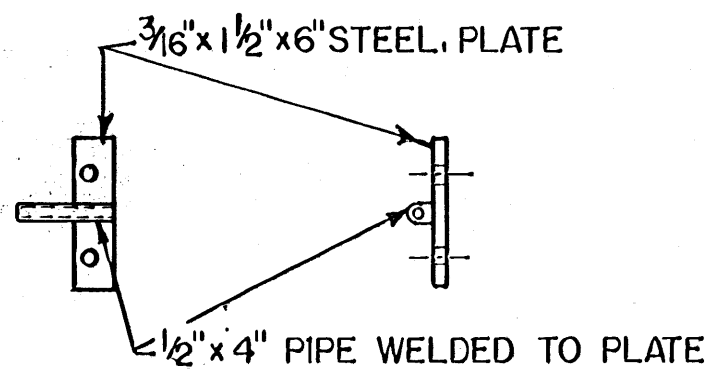
MISS '69 | 6032-A | SHEET 3 OF 4



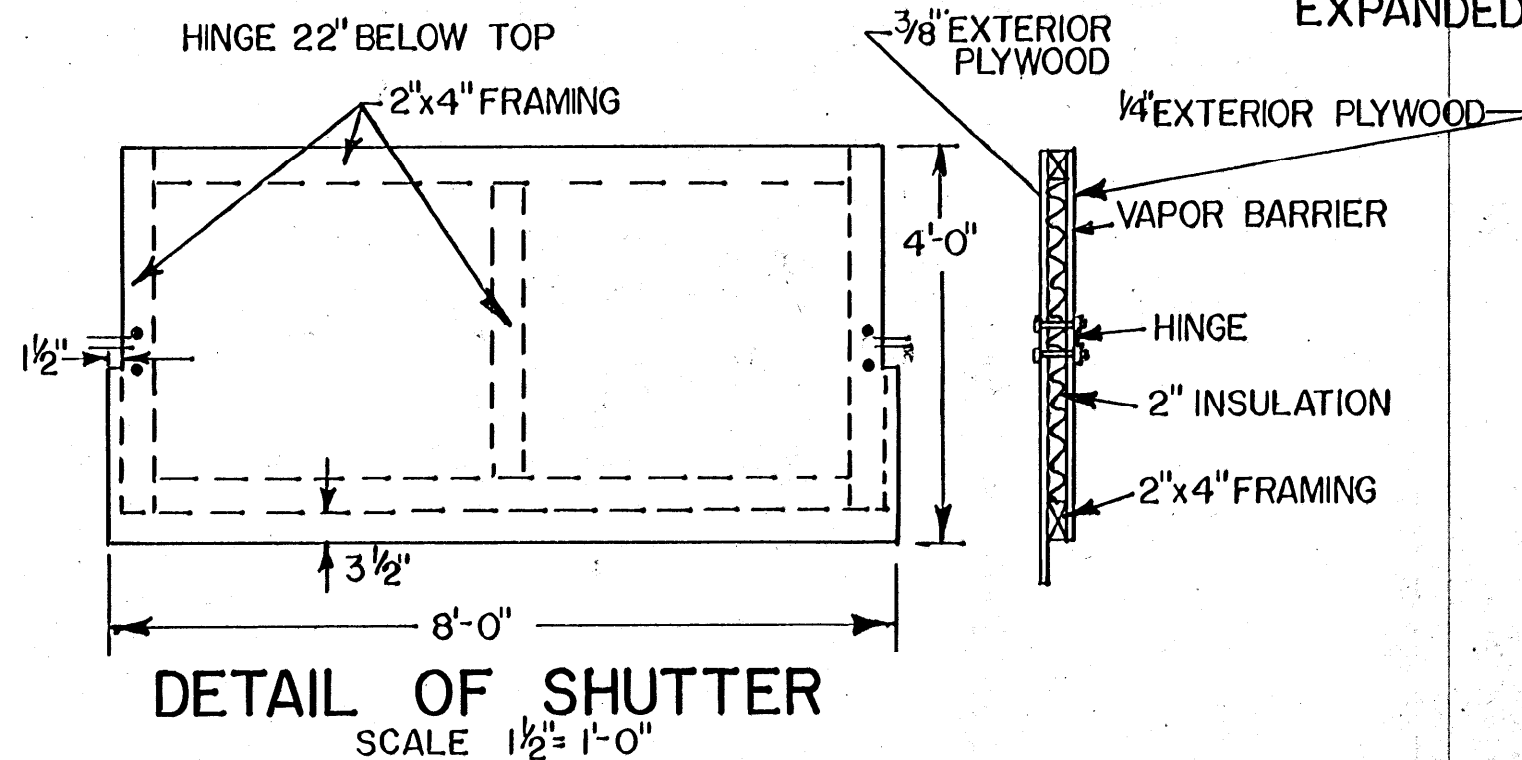
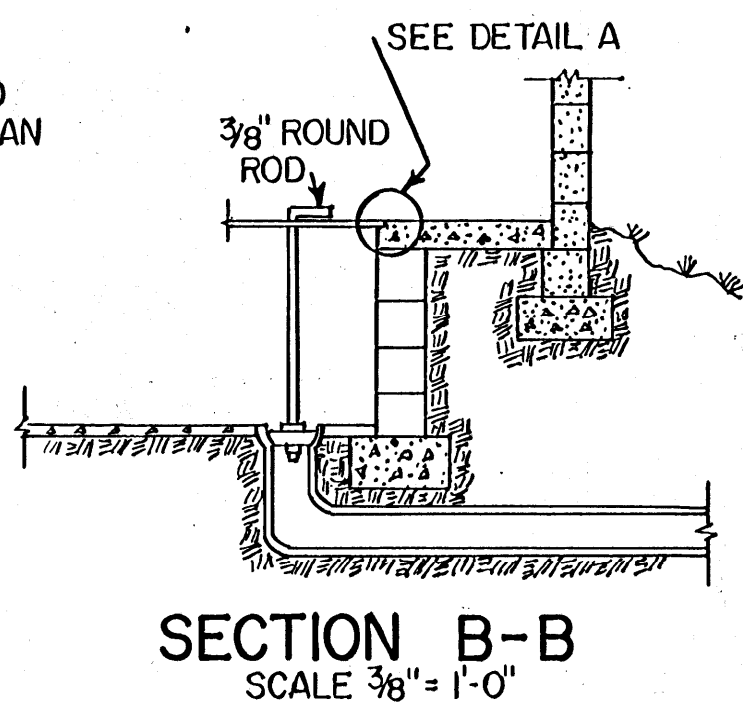
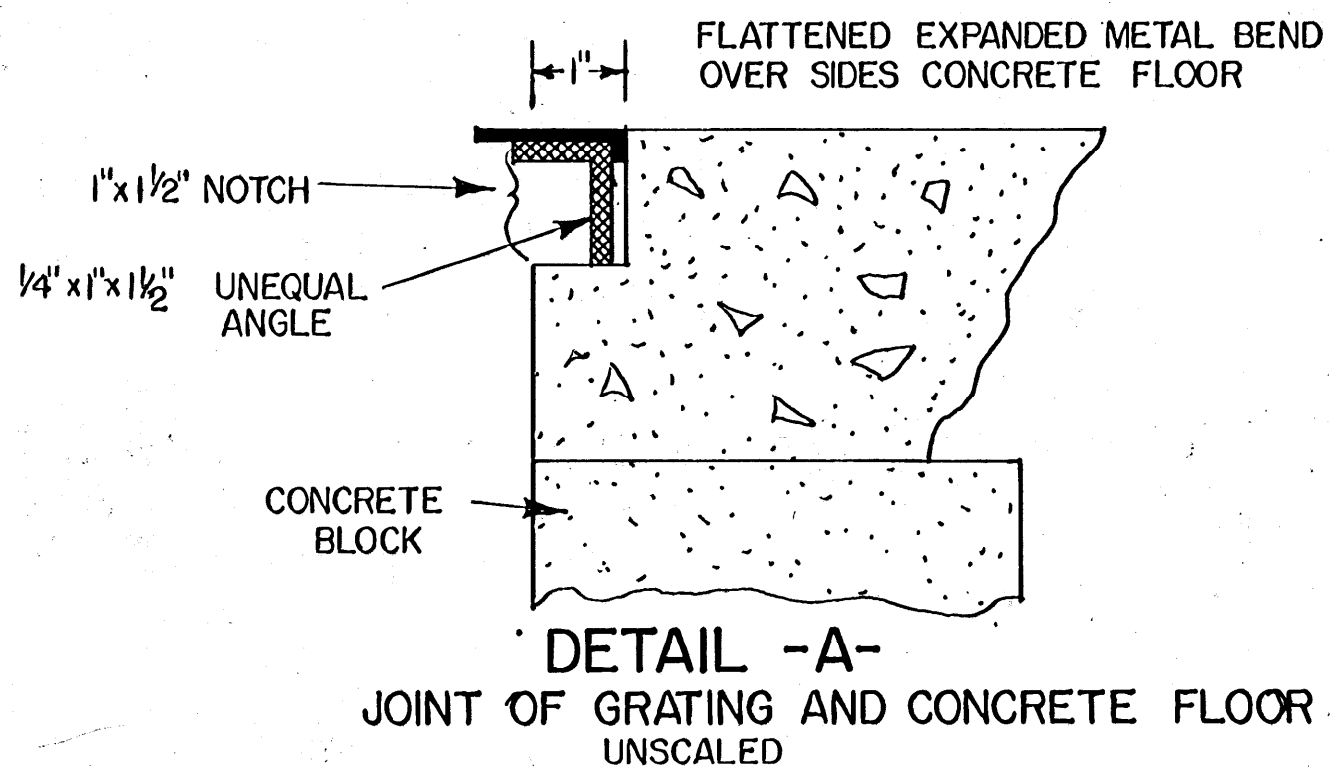
**SCHEMATIC DIAGRAM OF FAN No. 2-TWO REQUIRED FOR WINTER VENTILATION**



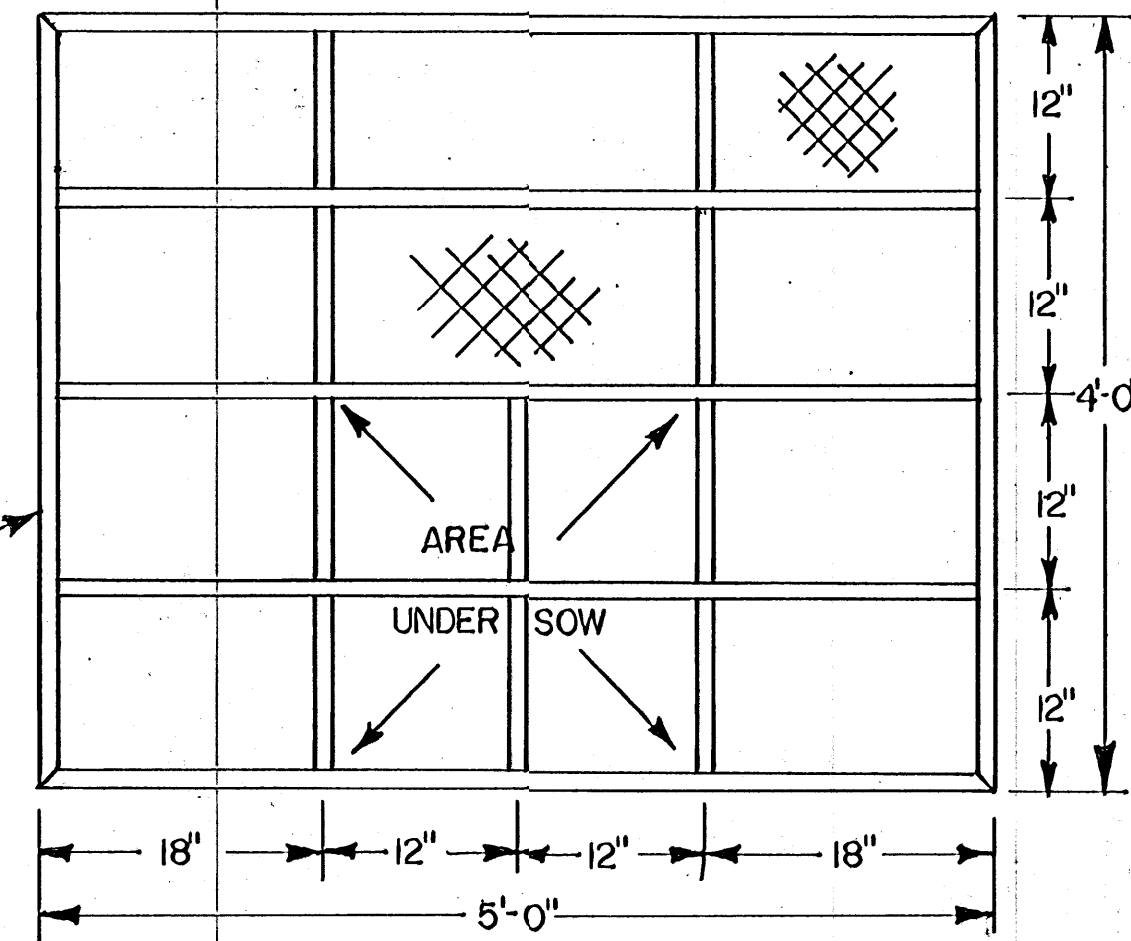
**SCHEMATIC DIAGRAM OF FAN No. 1-TWO REQUIRED FOR SUMMER VENTILATION**



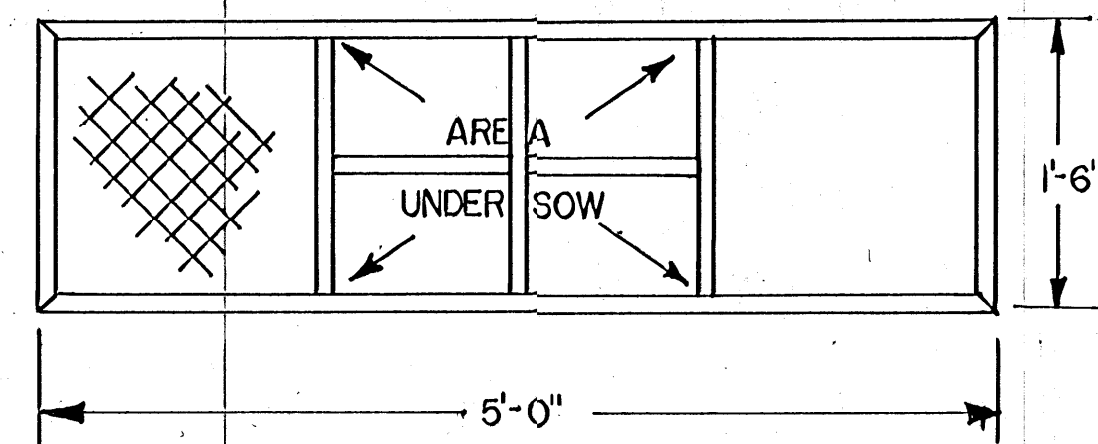
**DETAIL OF SIDE DOOR HINGE**  
SCALE 1/2" = 1'-0"



EXPANDED, FLATTENED METAL STYLE  
5/8"-9-11 MESH SIZE 3/8" x 1 1/2" .120 THICK



**PLAN**  
EXPANDED METAL GRATING OVER PIT



**PLAN**  
EXPANDED METAL GRATING OVER PIT

COOPERATIVE EXTENSION WORK IN  
AGRICULTURE AND HOME ECONOMICS

STATE OF MISSISSIPPI  
MISSISSIPPI STATE UNIVERSITY  
UNITED STATES DEPARTMENT OF AGRICULTURE COOPERATING

**PARTIAL SLAT  
FARROWING BARN**

MISS '69 | 6032-A | SHEET 4 OF 4