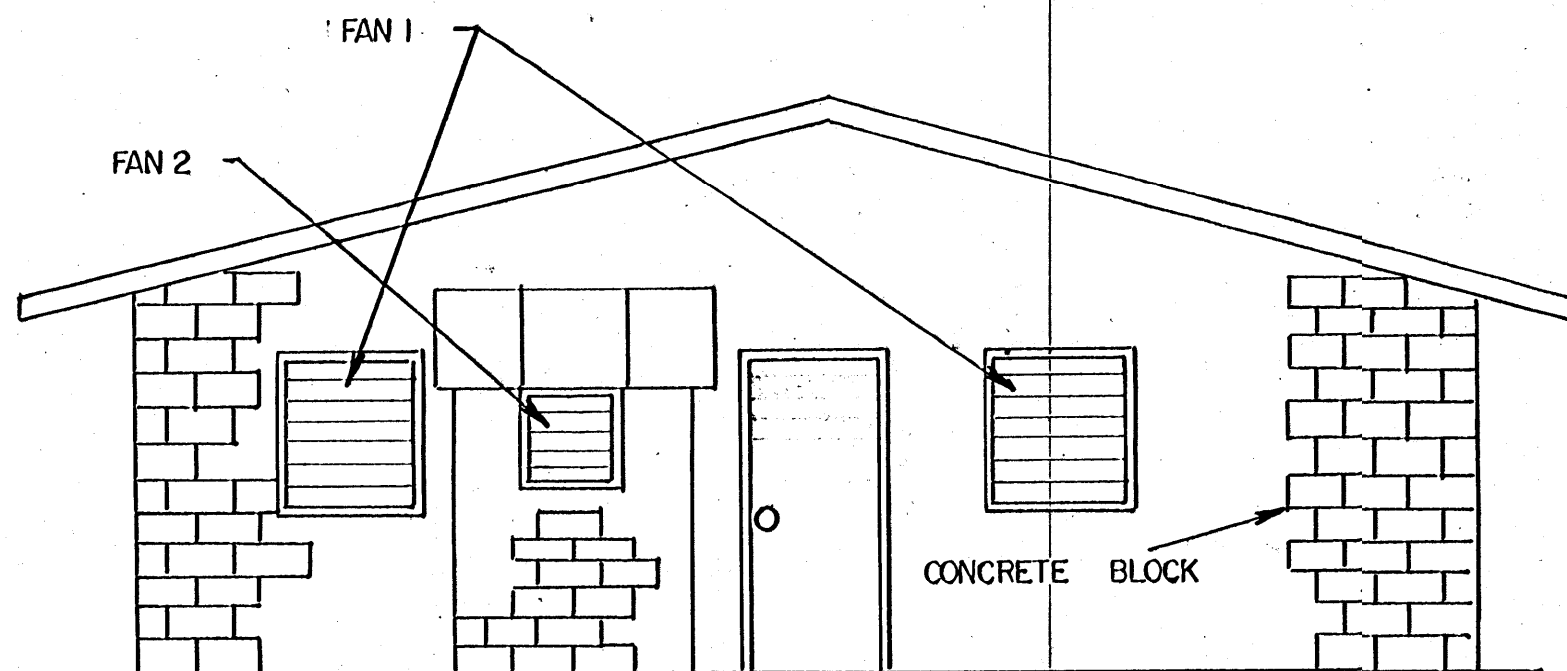


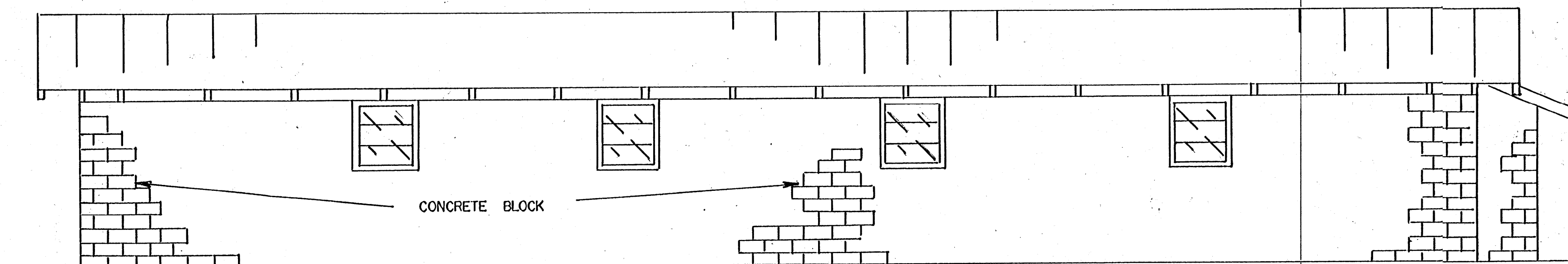
FRONT ELEVATION

SCALE  $\frac{1}{4}'' = 1'-0''$



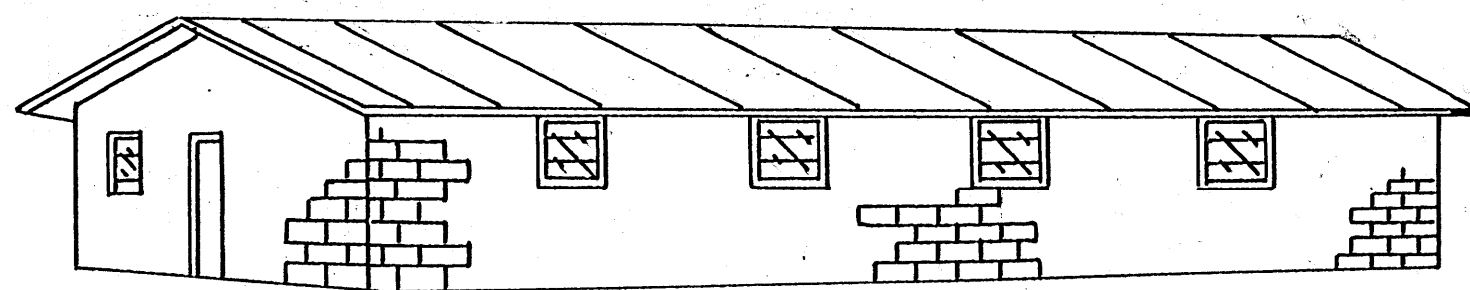
REAR ELEVATION

SCALE  $\frac{1}{4}'' = 1'-0''$



SIDE ELEVATION

SCALE  $\frac{1}{4}'' = 1'-0''$

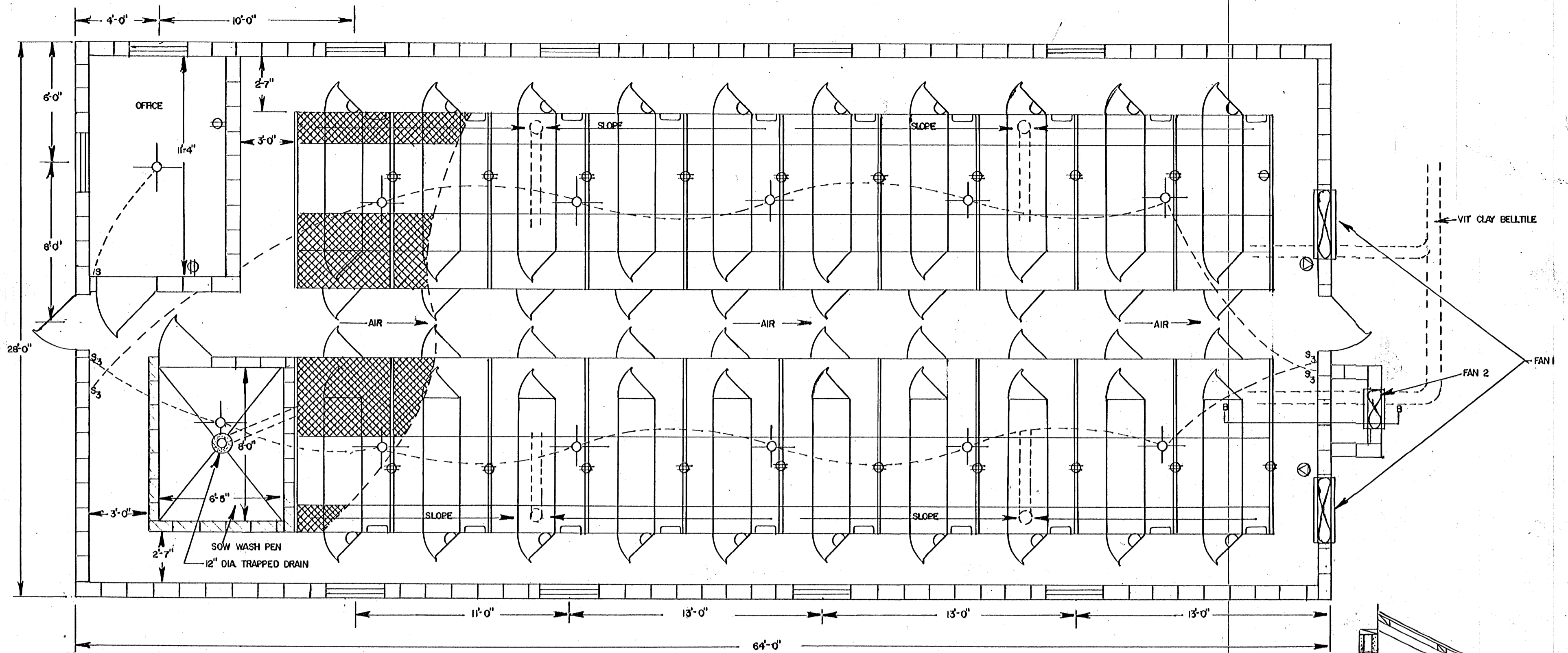


PERSPECTIVE

COOPERATIVE EXTENSION WORK IN  
 AGRICULTURE AND HOME ECONOMICS  
 STATE OF MISSISSIPPI  
 MISSISSIPPI STATE UNIVERSITY  
 AND  
 UNITED STATES DEPARTMENT OF AGRICULTURE COOPERATING

**FARROWING HOUSE  
 FOR SOWS**

MISS '73 | 6032-C | SHEET 1 OF 4

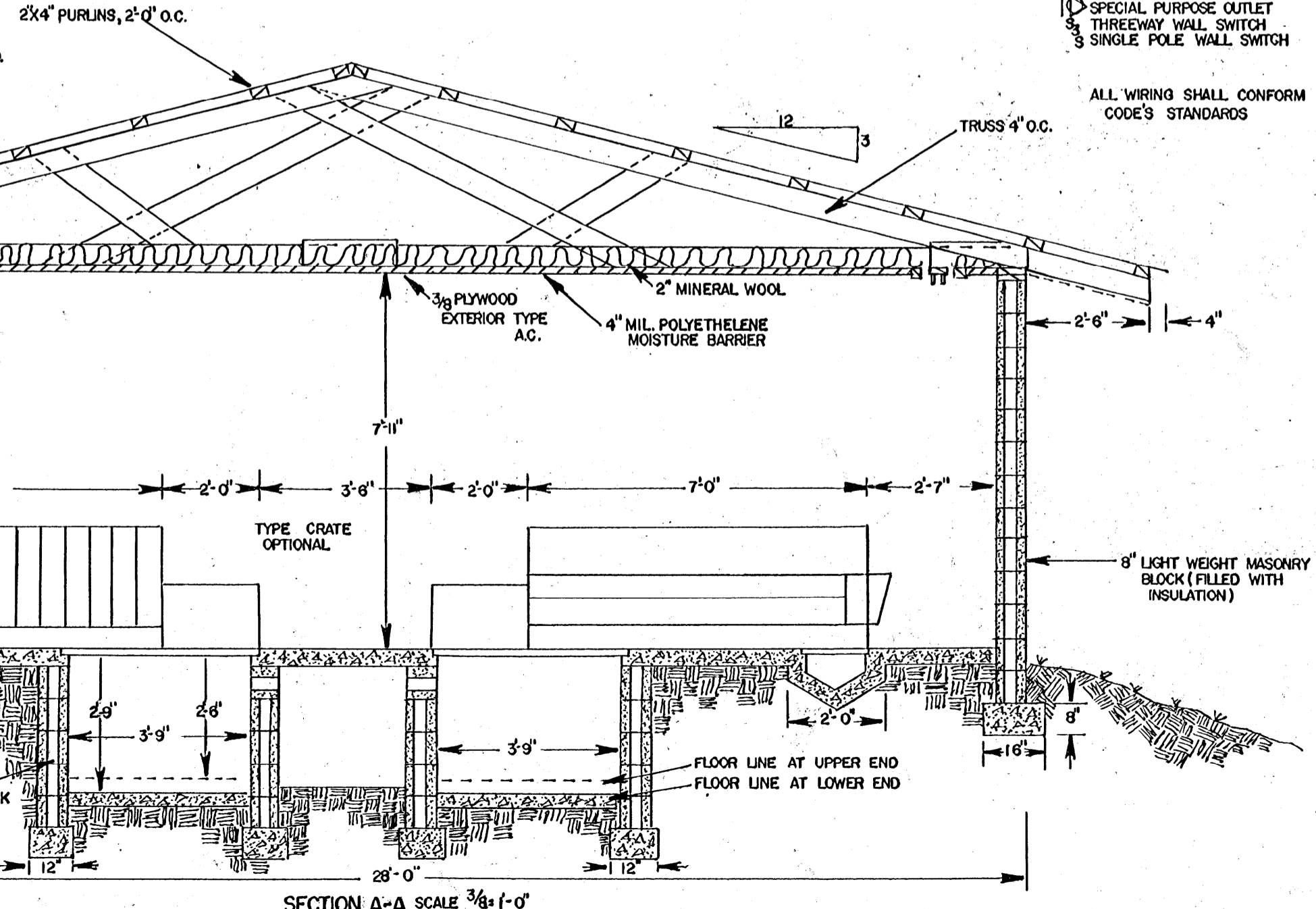


**FAN SPECIFICATIONS**  
 SUMMER VENTILATION  
 FAN1-10,000 CFM @ 1/8" WATER GAUGE STATIC PRESSURE, WITH MOTORIZED SHUTTER AND THERMOSTAT CONTROLLED.  
 FAN2-WILL BE OPERATING TO PREVENT GAS ACCUMULATION IN PIT  
 WINTER VENTILATION  
 FAN2-2500 CFM @ 1/8" WATER GAUGE STATIC PRESSURE, VARIABLE SPEED. SPEED CONTROLLED BY THERMISTOR.

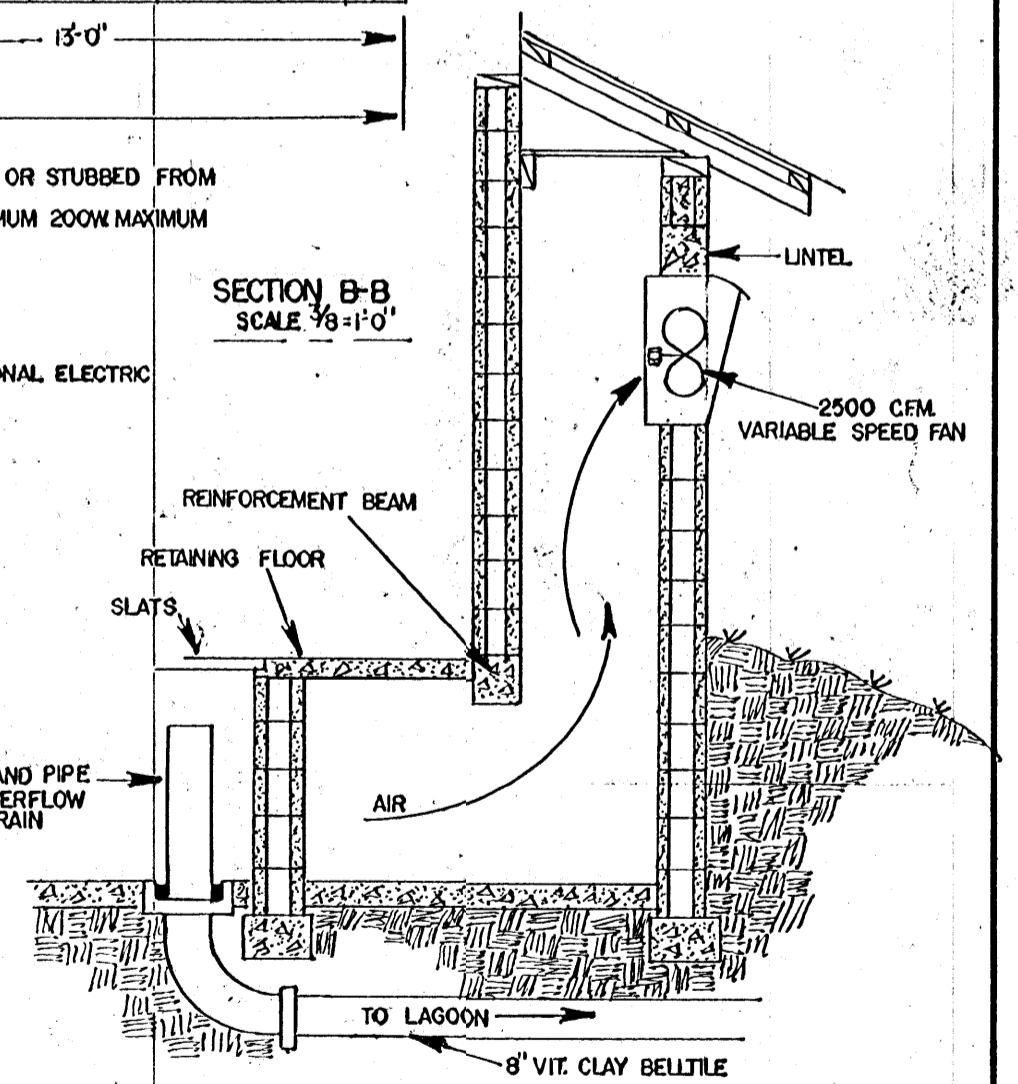
**FLOOR PLAN**  
 SCALE 1/4" = 1'-0"

- ELECTRICAL LEGEND**
- ⊕ DUPLEX CONVENIENCE OUTLET CEILING MOUNTED OR STUBBED FROM FLOOR 2' HIGH (FOR HEAT LAMPS)
  - ⊙ CEILING FIXTURE PORCELAIN KEYLESS 100W/MINIMUM 200W/MAXIMUM
  - ⊙ SPECIAL PURPOSE OUTLET
  - ⊕ THREEWAY WALL SWITCH
  - ⊕ SINGLE POLE WALL SWITCH

ALL WIRING SHALL CONFORM TO THE NATIONAL ELECTRIC CODE'S STANDARDS



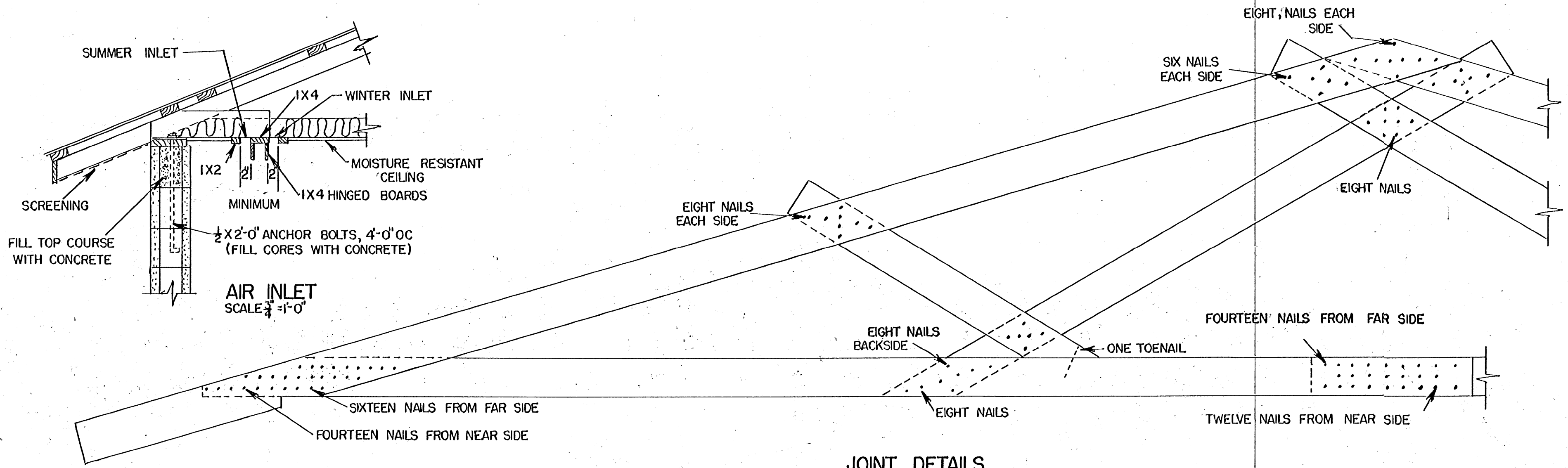
**SECTION A-A** SCALE 3/8" = 1'-0"



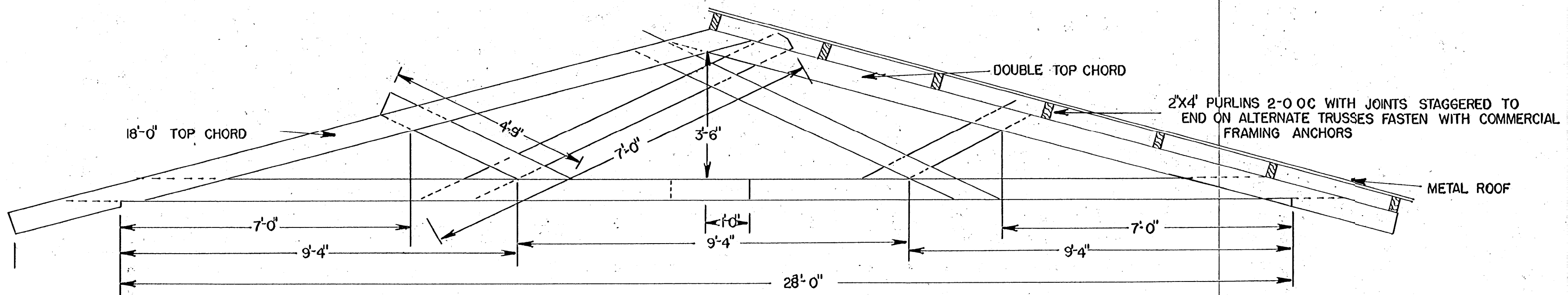
**SECTION B-B**  
 SCALE 3/8" = 1'-0"

COOPERATIVE EXTENSION WORK IN  
 AGRICULTURE AND HOME ECONOMICS  
 STATE OF MISSISSIPPI  
 MISSISSIPPI STATE UNIVERSITY  
 AND  
 UNITED STATES DEPARTMENT OF AGRICULTURE COOPERATING

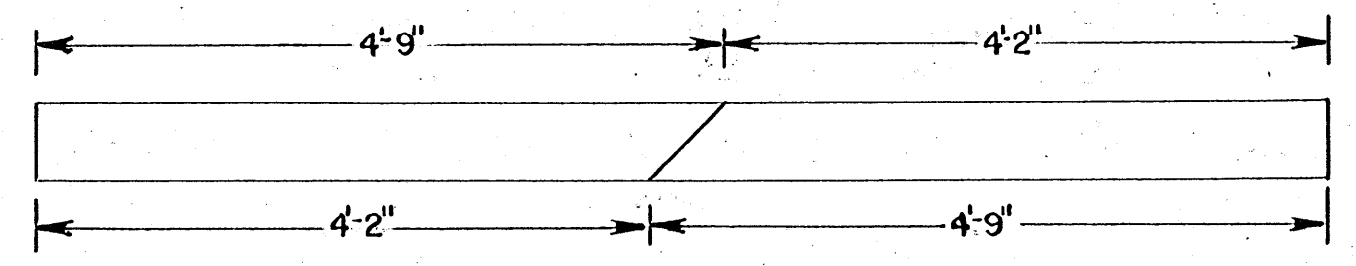
**FARROWING HOUSE  
 FOR SOWS**



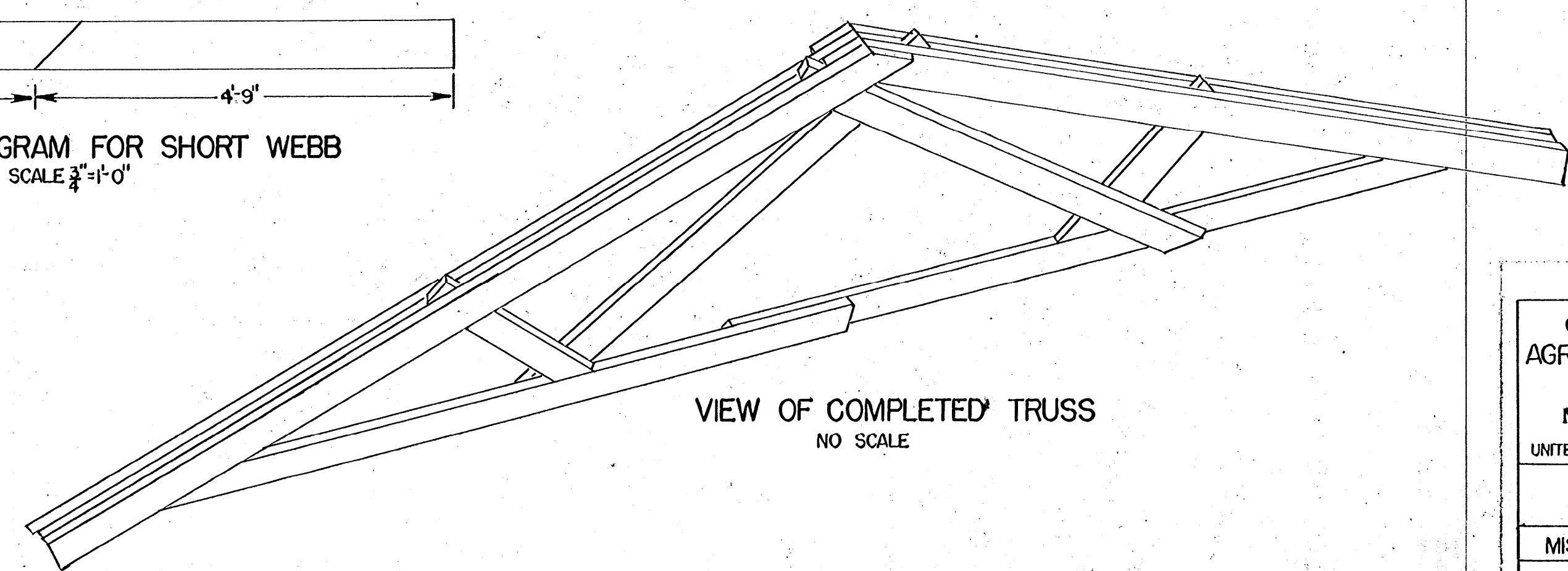
**JOINT DETAILS**  
SCALE 1 1/2" = 1'-0"



**ELEVATION**  
SCALE 1/2" = 1'-0"



**CUTTING DIAGRAM FOR SHORT WEBB**  
SCALE 3/4" = 1'-0"

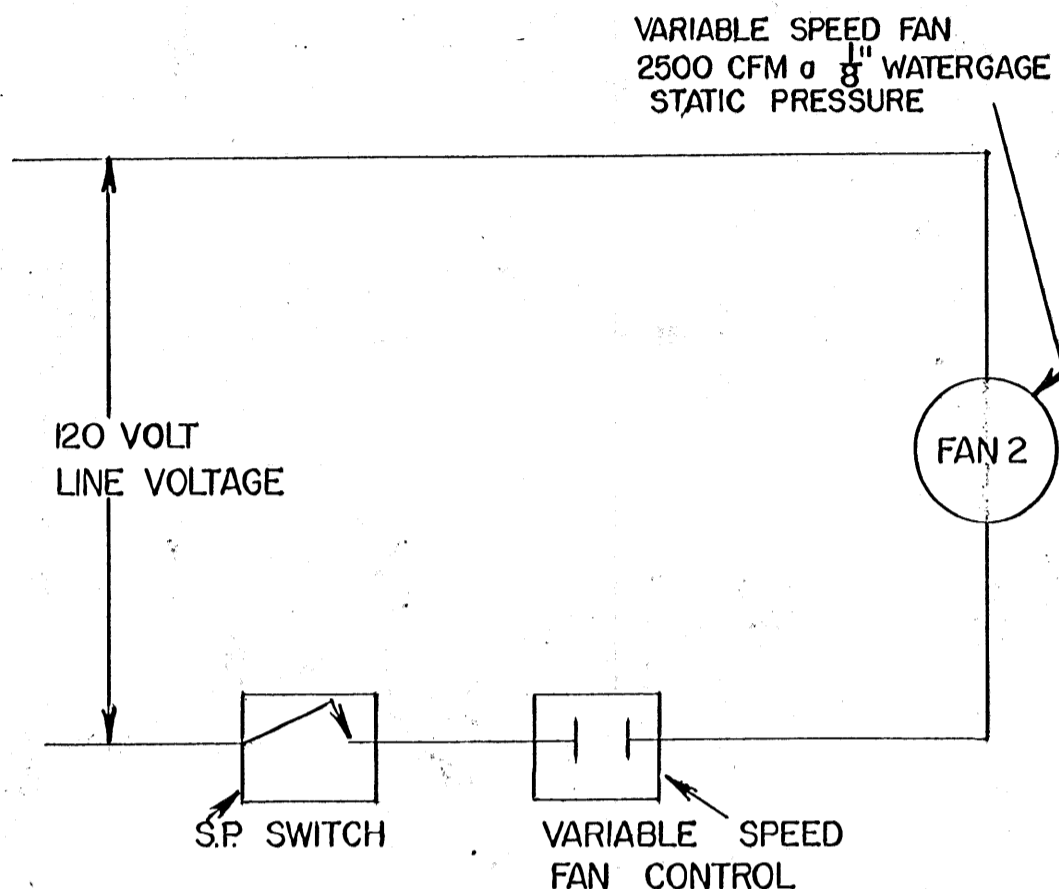


**VIEW OF COMPLETED TRUSS**  
NO SCALE

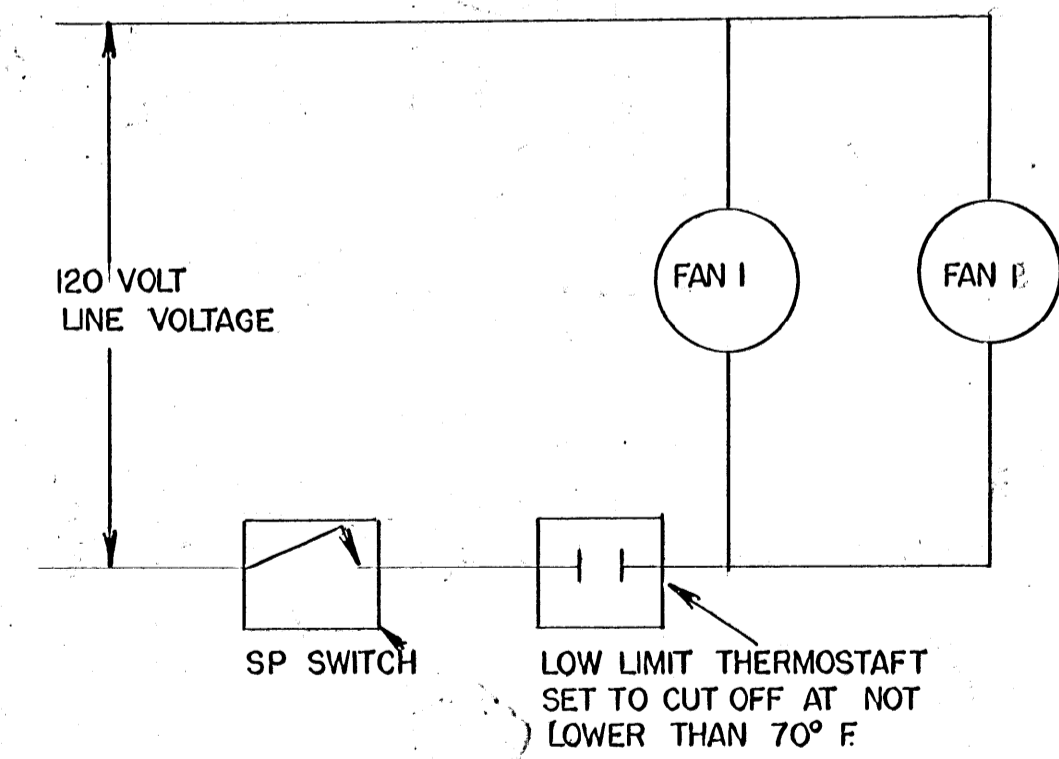
COOPERATIVE EXTENSION WORK IN  
 AGRICULTURE AND HOME ECONOMICS  
 STATE OF MISSISSIPPI  
 MISSISSIPPI STATE UNIVERSITY  
 AND  
 UNITED STATES DEPARTMENT OF AGRICULTURE COOPERATING

**FARROWING HOUSE**  
 FOR SOWS

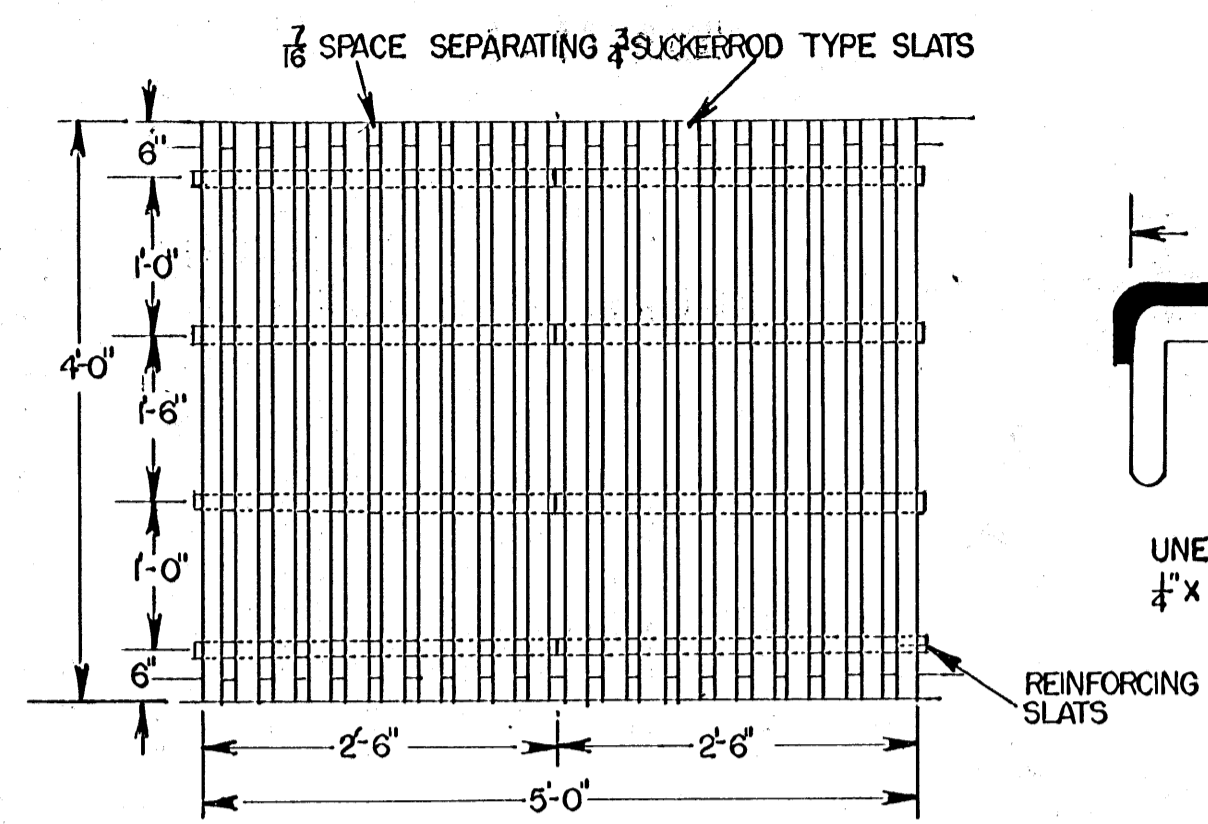
MISS '73	6032-C	SHEET 3 OF 4
----------	--------	--------------



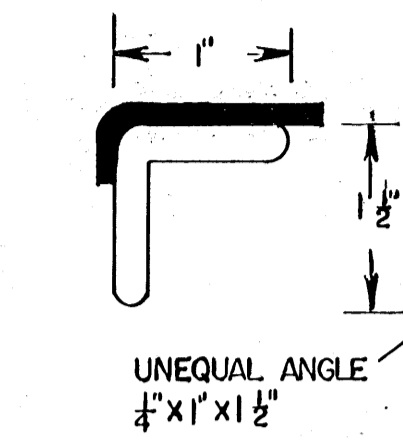
**SCHEMATIC DIAGRAM OF FAN NO. 2**  
REQUIRED FOR WINTER VENTILATION



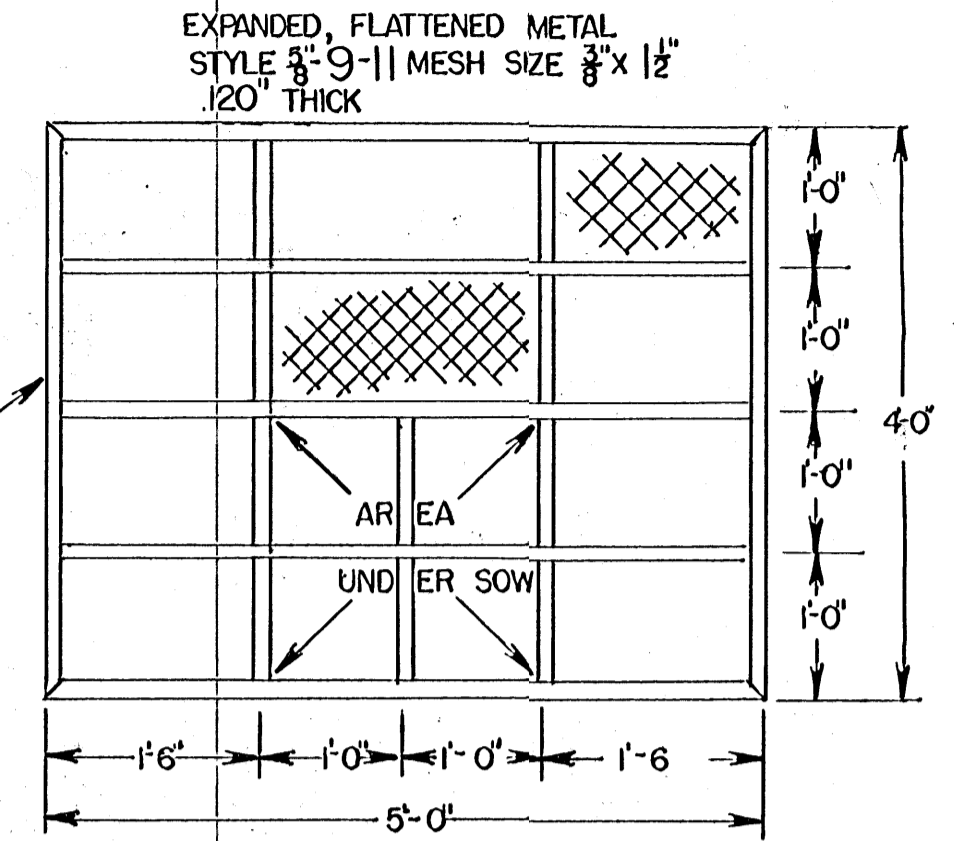
**SCHEMATIC DIAGRAM OF FAN NO. 1**  
REQUIRED FOR SUMMER VENTILATION



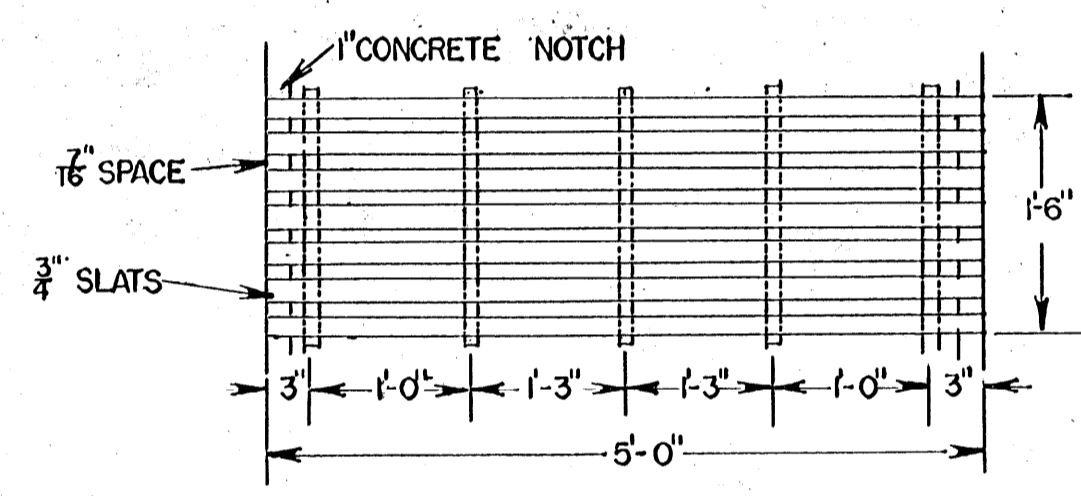
**SLATS**  
SUCKER ROD SLATS OVER PIT



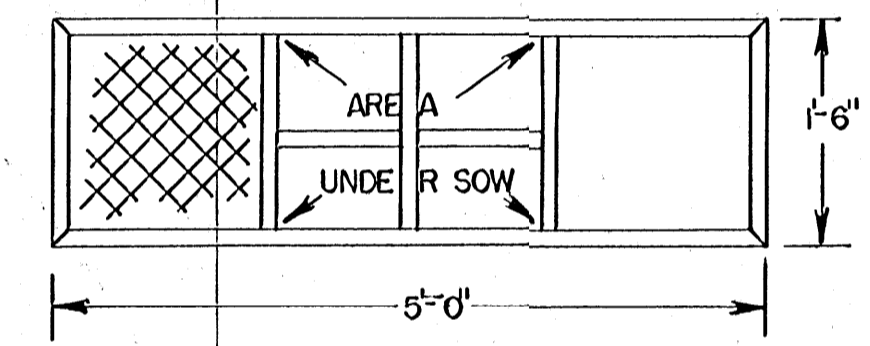
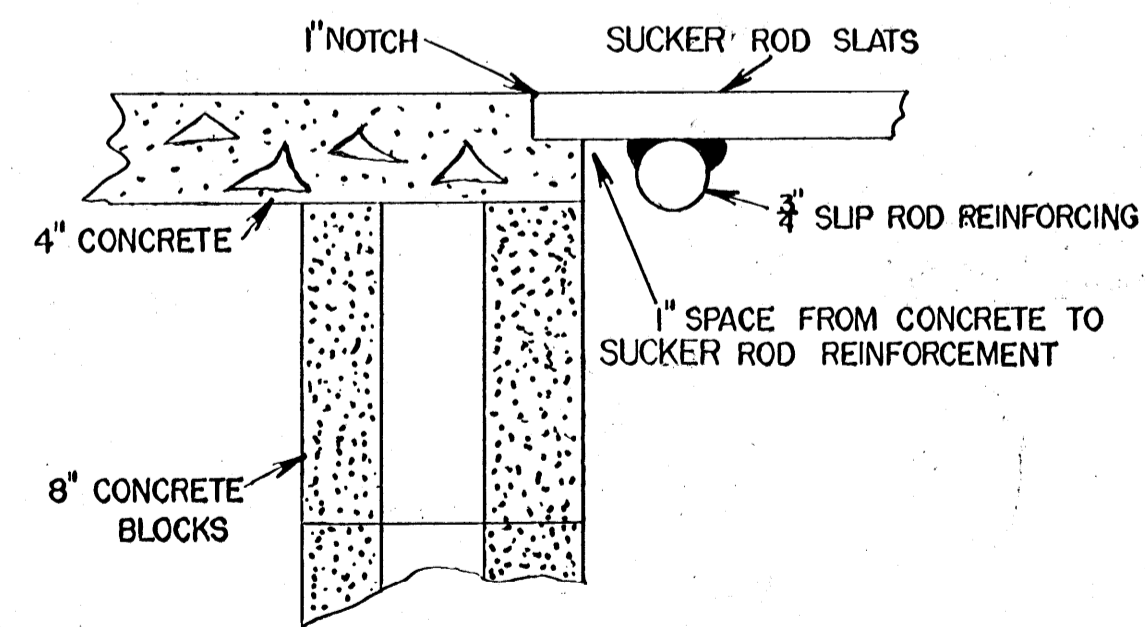
**SLATS OR GRATING OPTIONAL**



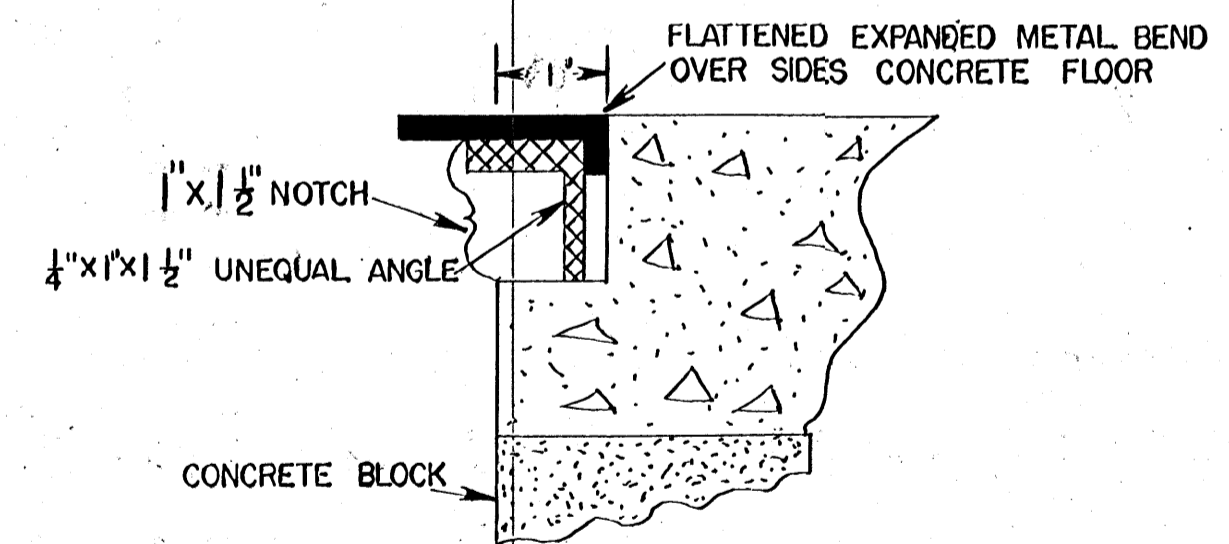
**GRATING**  
EXPANDED METAL GRATING OVER PIT



**JOINT DETAIL OF SLATS AND CONCRETE FLOOR**



**JOINT DETAIL OF GRATING AND CONCRETE FLOOR**



COOPERATIVE EXTENSION WORK IN  
AGRICULTURE AND HOME ECONOMICS  
STATE OF MISSISSIPPI  
MISSISSIPPI STATE UNIVERSITY  
AND  
UNITED STATES DEPARTMENT OF AGRICULTURE COOPERATING

**FARROWING HOUSE  
FOR SOWS**

MISS '73    6032-C    SHEET 4 OF 4