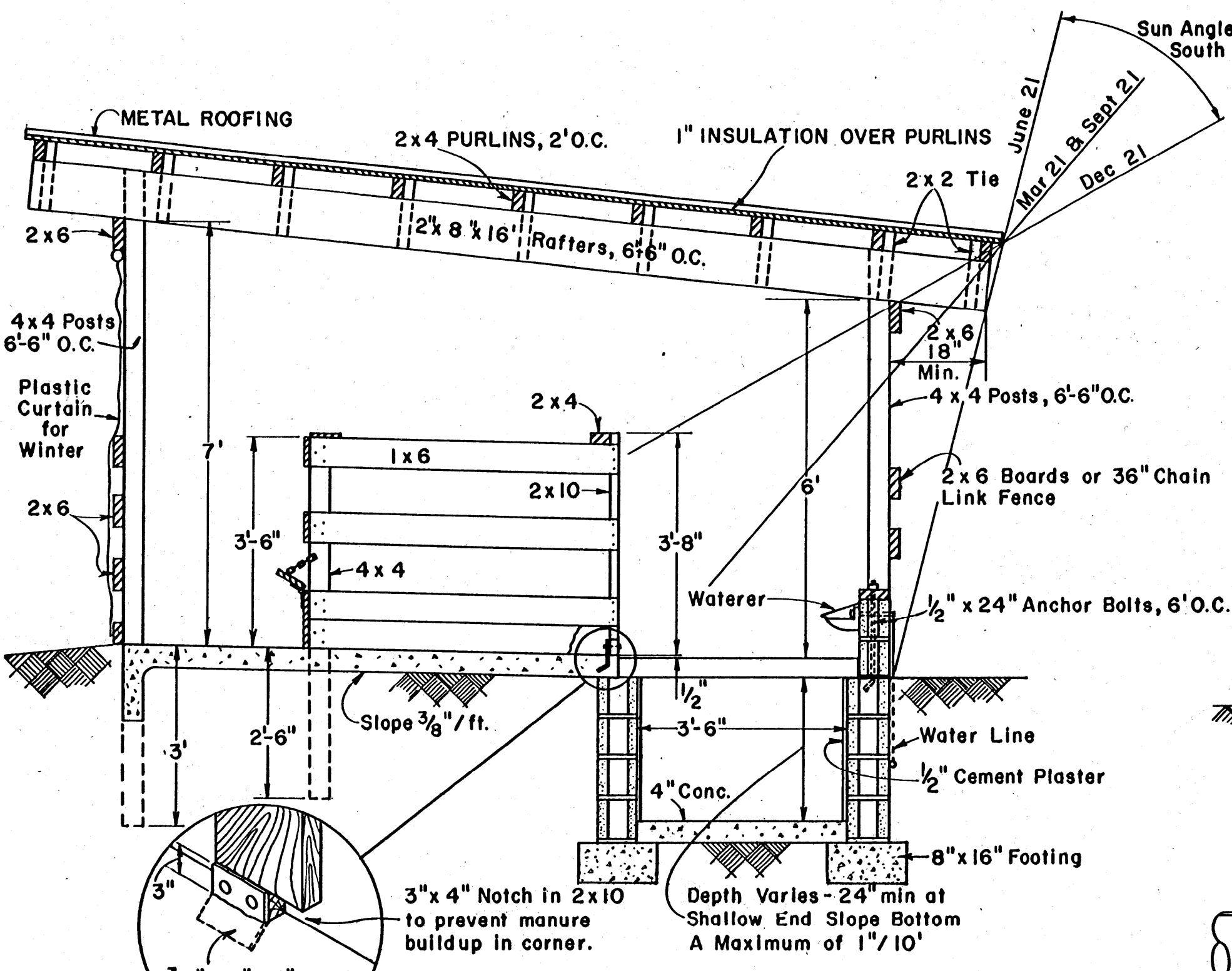
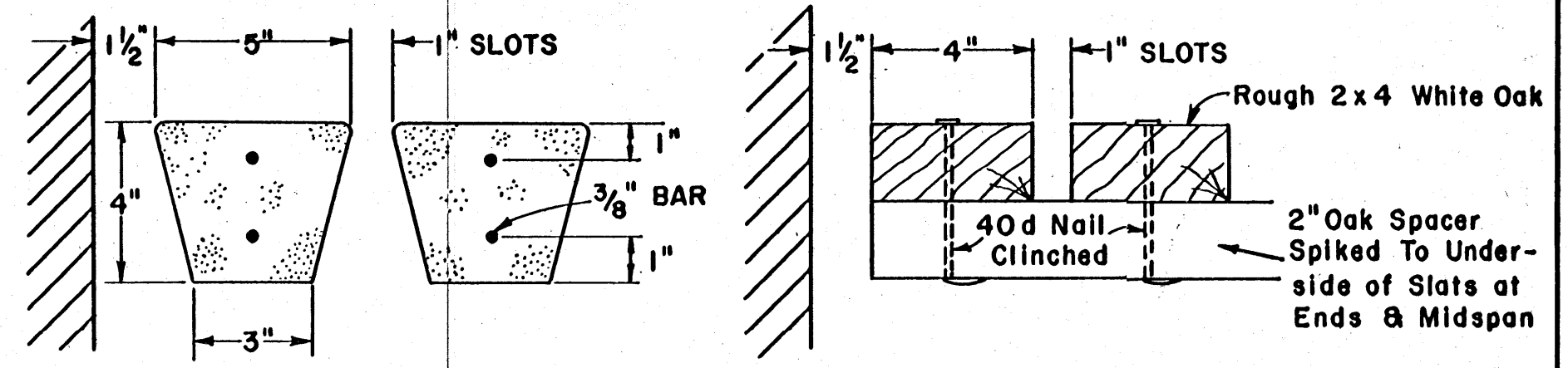


Bury Water Line at Least 12" Slope to Drain & Provide Cutoff & Drain Valve at Lower End. Provide Hose Connections 50' Apart.

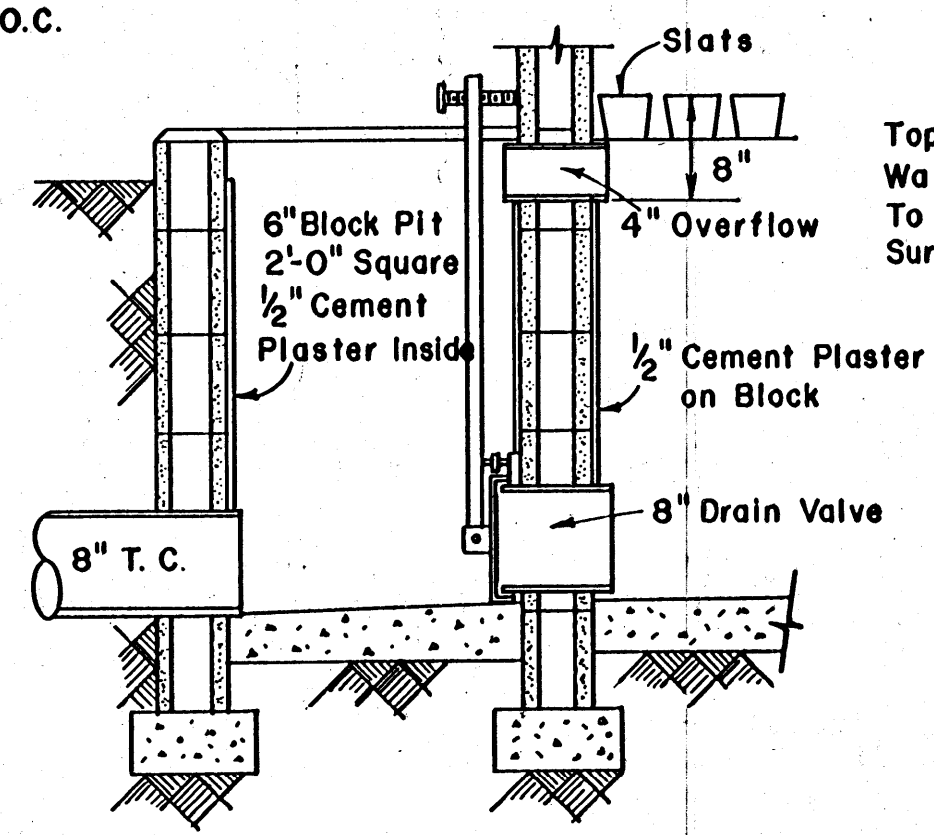
Floor Plan
SCALE: 1/4" = 1'-0"



Section "A-A"
SCALE: 1/2" = 1'-0"



Concrete **Wood**
Slat Detail **Pit Construction Detail**
 SCALE: 3" = 1'-0" NOT TO SCALE



Section "B-B"
SCALE: 3/4" = 1'-0"

Top Cores of Block Pit Wall Filled With Concrete To Provide Good Bearing Surface For Slats

When The Pit Wall is Constructed as Shown Above, Wood or Concrete Slats are Interchangeable.

COOPERATIVE EXTENSION WORK IN
 AGRICULTURE AND HOME ECONOMICS
 STATE OF MISSISSIPPI
 MISSISSIPPI STATE UNIVERSITY
 AND
 UNITED STATES DEPARTMENT OF AGRICULTURE COOPERATING

HOG HOUSE FOR GESTATING SOWS