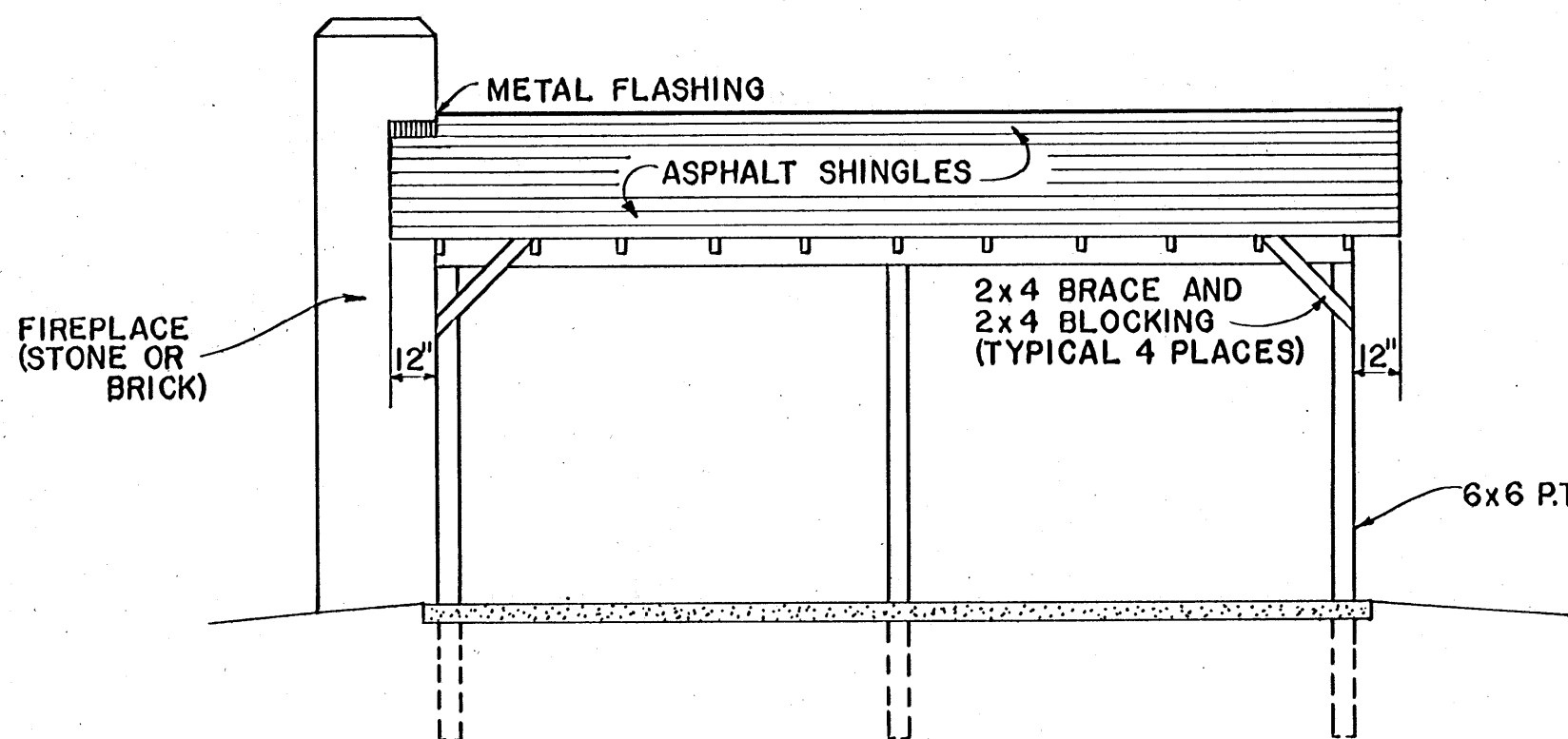
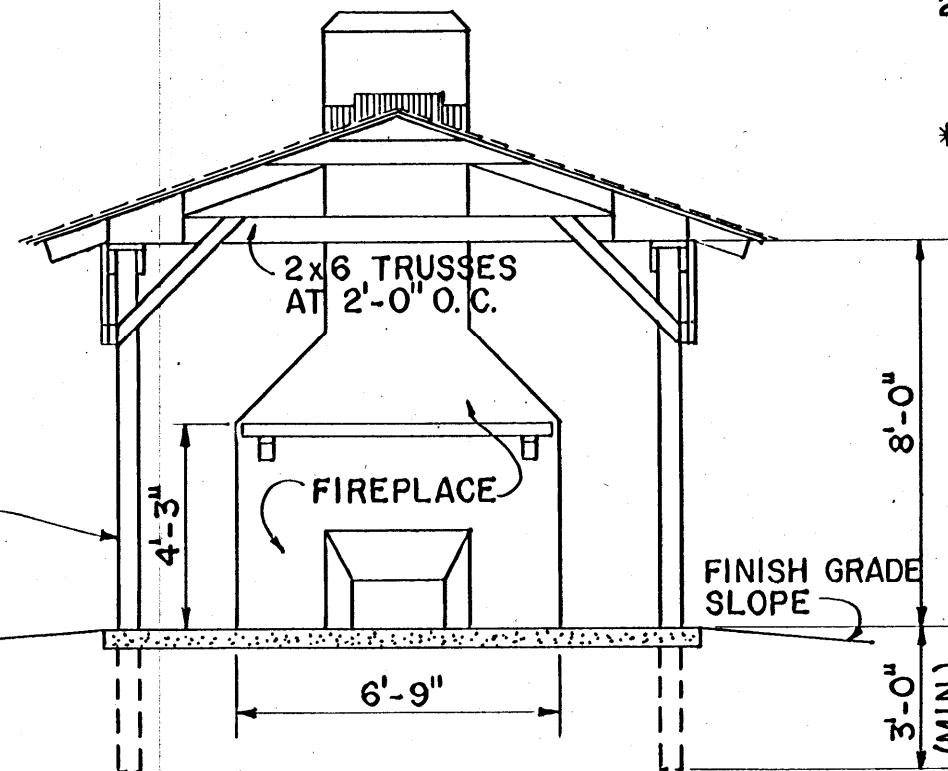


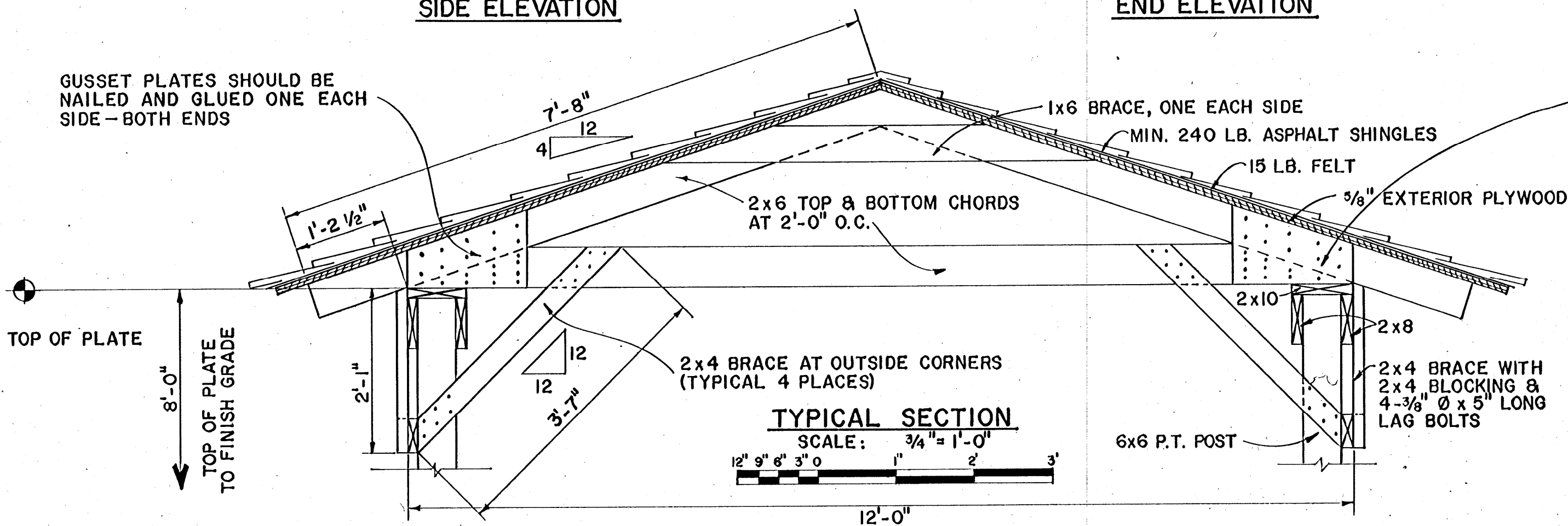
PLAN



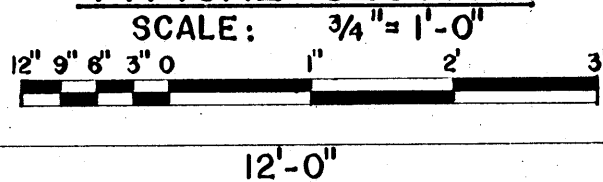
SIDE ELEVATION



END ELEVATION



TYPICAL SECTION

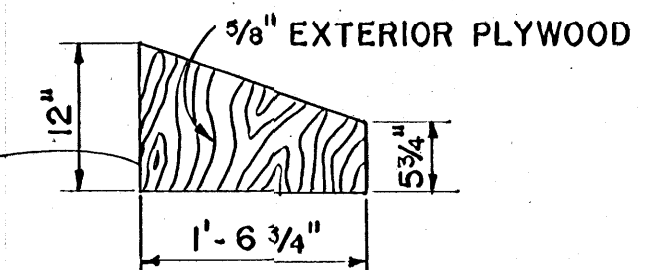


BILL OF MATERIALS **		
DESCRIPTION	QUANTITY	REMARKS
1x6 x 12'-0"	11 PC.	COLLAR BRACES
2x4 x 8'-0"	4 PC.	KNEE BRACES
2x6 x 8'-0"	22 PC.	TOP CHORDS
2x6 x 12'-0"	11 PC.	BOTTOM CHORDS
2x6 x 10'-0"	8 PC.	GIRTS
2x10 x 10'-0"	4 PC.	TOP PLATE
5/8" EXT. PLYWOOD	13 SHT.	SEE NOTE NO. 1
*1x8 ROOF SHEATHING	394 BM	*OPTIONAL
ASPHALT SHINGLES	4 SQ.	
*DRIP STRIP	80 LIN. FT.	*OPTIONAL
18" FLASHING STRIP	10 LIN. FT.	
15" LB. FELT	1 ROLL	
NAILS ROOFING	6 LBS.	1 1/4" GALV. LG. HEAD
" 10D. & 20D.	20 LBS. & 5 LB.	COMMON BRIGHT
LAG BOLTS	16	3/8" O x 5" LG. GALV.
*CONCRETE	3 1/2 YDS.	*OPTIONAL
6x6 x 12'-0"	6 PC.	PRESSURE TREATED

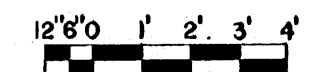
GENERAL NOTES:

- GUSSET PLATES ARE TO BE CUT FROM EXCESS ROOF SHEATHING. IF 1x8 SHEATHING IS USED THEN ONLY 2 SHEETS OF 1/2" EXTERIOR PLYWOOD MAY BE USED FOR GUSSET PLATES.
 - ALL END GRAIN LUMBER SHALL HAVE 1 COAT OF OIL BASE STAIN PRIOR TO ERECTION. ALL OTHER WOOD MEMBERS SHALL RECEIVE 2 COATS AFTER ERECTION.
- ** MATERIAL FOR FIREPLACE NOT INCLUDED, OTHER THAN FLASHING STRIP.

NOTE: BASED ON-CLEMSON UNIV. PLAN NO. 4525



GUSSET PLATE



SCALE: 1/4" = 1'-0" UNLESS OTHERWISE NOTED

COOPERATIVE EXTENSION WORK IN
AGRICULTURE AND HOME ECONOMICS
STATE OF MISSISSIPPI
MISSISSIPPI STATE UNIVERSITY
AND
UNITED STATES DEPARTMENT OF AGRICULTURE COOPERATING

PICNIC SHELTER WITH FIREPLACE.

S.C. '77 6295 SHEET 1 OF 1