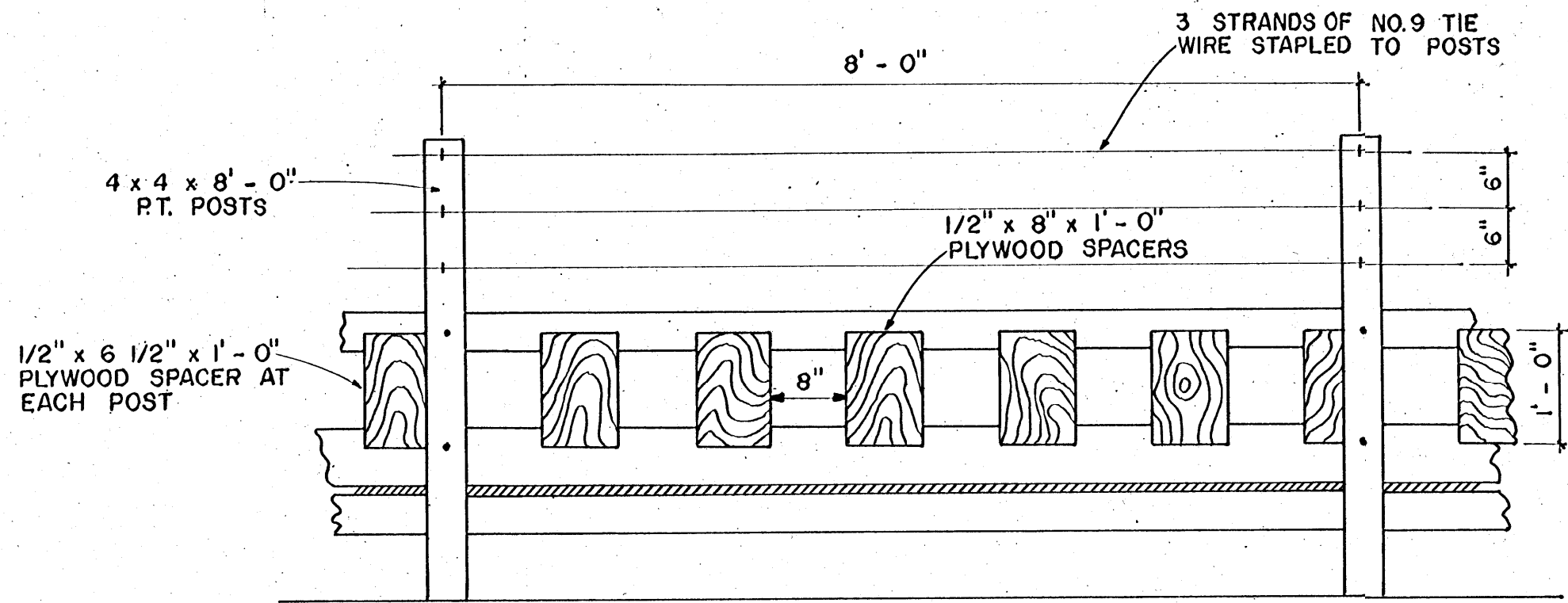
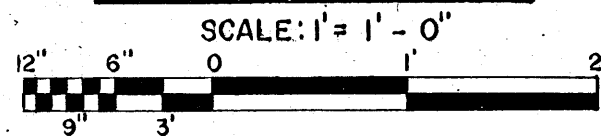
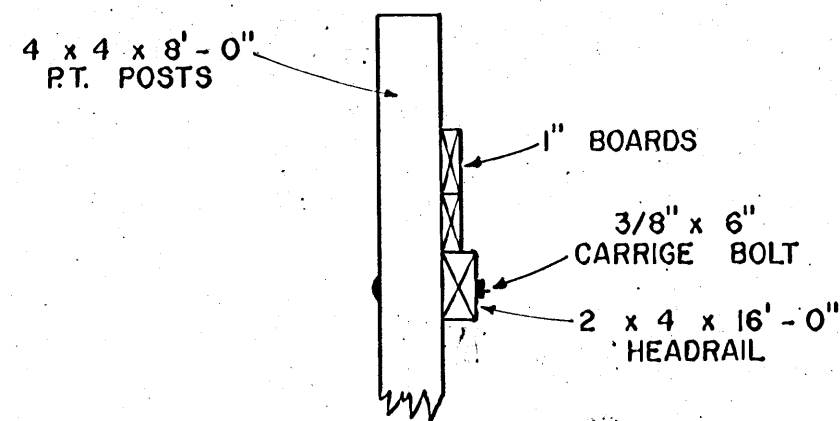
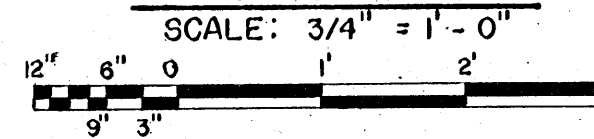


**CROSS SECTION**

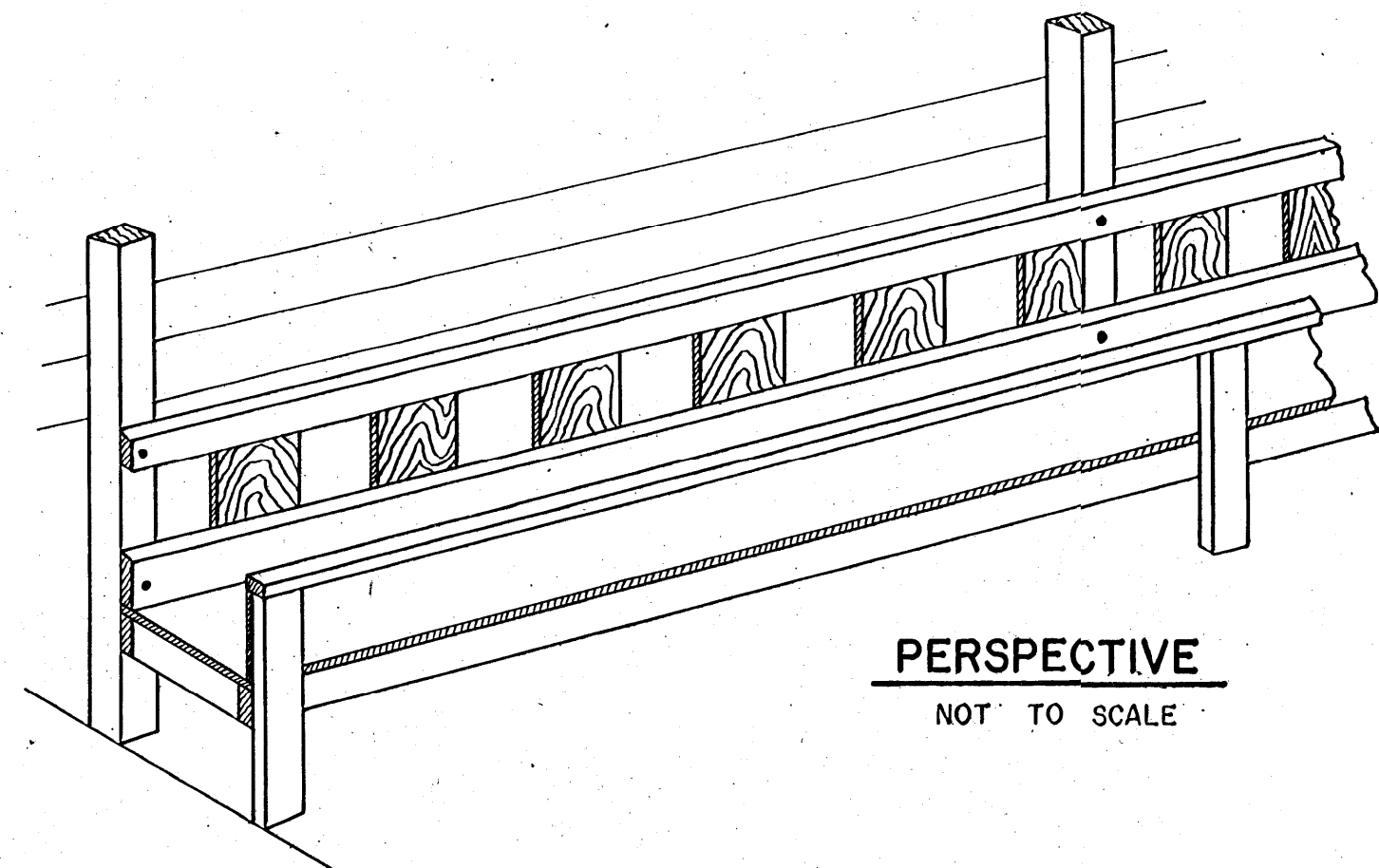


**FRONT VIEW**



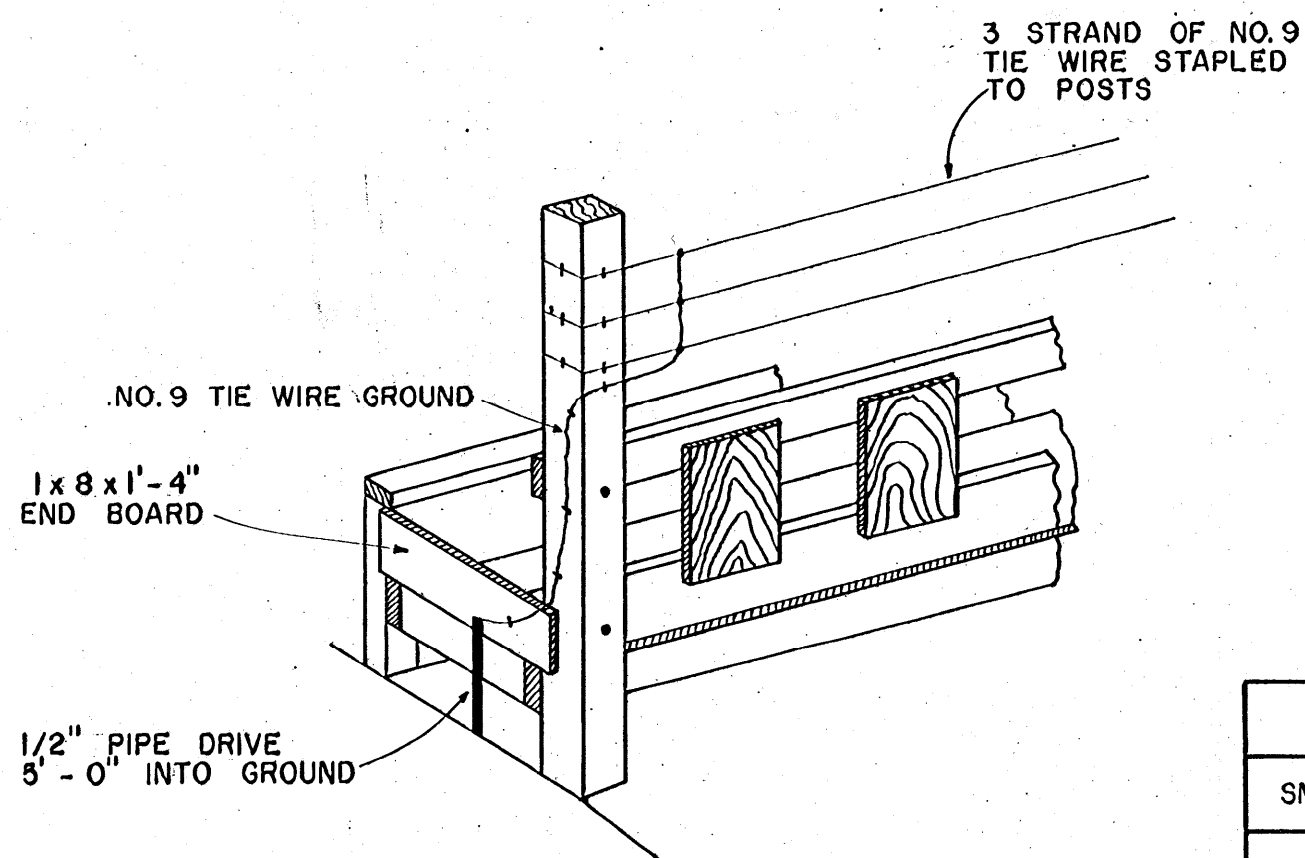
**DETAIL OF OPTIONAL SILAGE DEFLECTOR**

SCALE: 1" = 1'-0"



**PERSPECTIVE**

NOT TO SCALE



**END VIEW**

NOT TO SCALE

**TABLE OF FEEDER HEIGHT**

SHEEP SIZE	HEIGHT TO THROAT 'H'
SMALL BREEDS & FEEDER LAMBS	10" TO 1'-6"
MEDIUM BREEDS	1'-5" TO 1'-8"
LARGE BREEDS	1'-8" TO 1'-10"

SCALE: 1" = 1'-0" UNLESS OTHERWISE NOTED.

COOPERATIVE EXTENSION WORK IN  
 AGRICULTURE AND HOME ECONOMICS  
**STATE OF MISSISSIPPI**  
**MISSISSIPPI STATE UNIVERSITY**  
 AND  
 UNITED STATES DEPARTMENT OF AGRICULTURE COOPERATING

FENCELINE FEEDER FOR SHEEP

USDA '79 EX. 6328 SHEET 1 OF 1

NOTE: BASED ON CANADA PLAN NO. 4618