

NOTE: OBTAIN ASSISTANCE FROM LOCAL EXTENSION PERSONNEL ON LAGOON DESIGN.

SELF PRIMING PUMP  
 - TO PROVIDE 200 GPM FOR  
 FLUSHING ONE ALLEY AT  
 A TIME

**PUMPED RECYCLED LAGOON WATER SYSTEM**

12" 0" 1' 2' 4'  
 SCALE -- 1/4" = 1'-0"

COOPERATIVE EXTENSION WORK IN AGRICULTURE AND HOME ECONOMICS STATE OF MISSISSIPPI MISSISSIPPI STATE UNIVERSITY AND UNITED STATES DEPARTMENT OF AGRICULTURE COOPERATING		
<b>FLUSH SYSTEMS</b>		
SC 78	EX. 6349	SHEET 1 OF 3
REVISED '83		

SUGGESTED SYPHON SIZES FOR 100' GUTTER ON 1/2% SLOPE WITH VARIOUS GUTTER WIDTHS

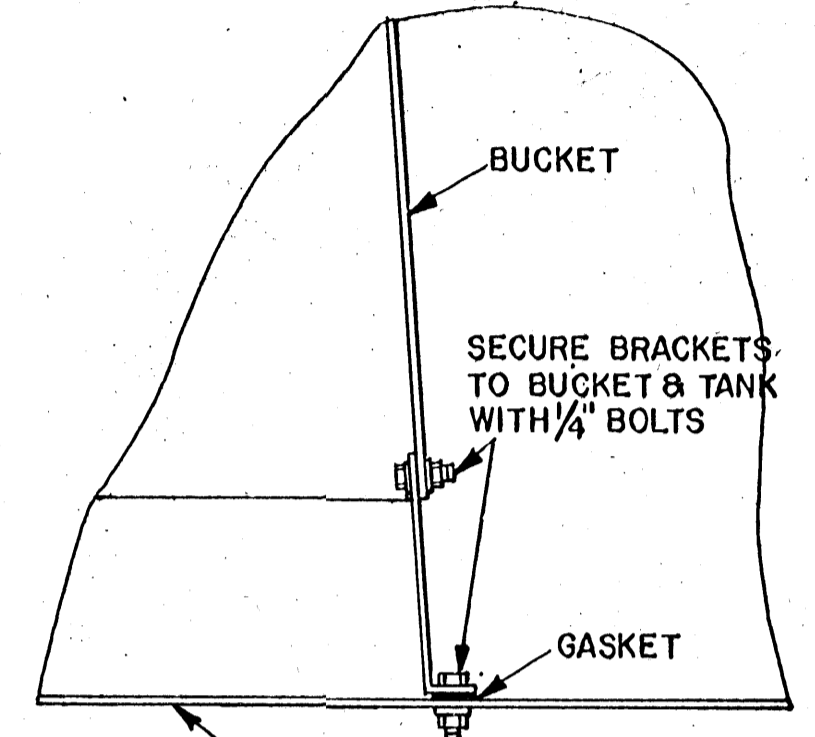
GUTTER WIDTH- INCHES	QUANTITY OF WATER-GAL.	SYPHON SIZE - INCHES	BELL DIAMETER-INCHES
12-30	50-100	3	12-14
30-40	100-175	4	14-16
40-50	175-200	DOUBLE 4 OR 6	16-18
88	250-300	DOUBLE 6	16-18

NOTES:

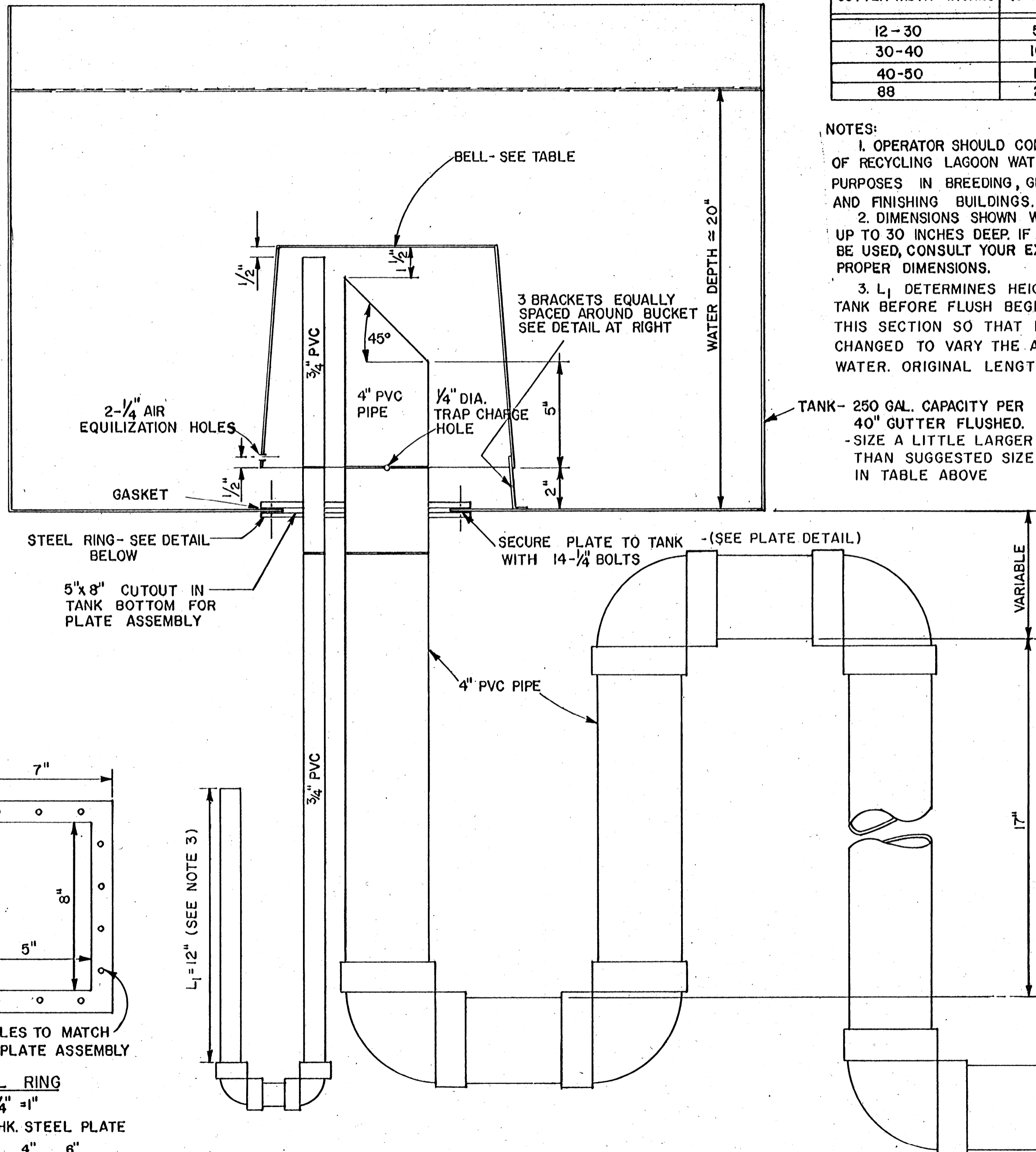
1. OPERATOR SHOULD CONSIDER ALTERNATIVE OF RECYCLING LAGOON WATER FOR FLUSHING PURPOSES IN BREEDING, GESTATION, GROWING, AND FINISHING BUILDINGS.

2. DIMENSIONS SHOWN WILL WORK FOR TANKS UP TO 30 INCHES DEEP. IF DEEPER TANKS ARE TO BE USED, CONSULT YOUR EXTENSION OFFICE FOR PROPER DIMENSIONS.

3. L<sub>1</sub> DETERMINES HEIGHT OF WATER IN TANK BEFORE FLUSH BEGINS. DO NOT GLUE THIS SECTION SO THAT IT CAN BE EASILY CHANGED TO VARY THE AMOUNT OF FLUSH WATER. ORIGINAL LENGTH SHOULD BE 12".



TANK BOTTOM BRACKET DETAIL  
SCALE: 1/2" = 1"



TANK - 250 GAL. CAPACITY PER 40" GUTTER FLUSHED.  
- SIZE A LITTLE LARGER THAN SUGGESTED SIZE IN TABLE ABOVE

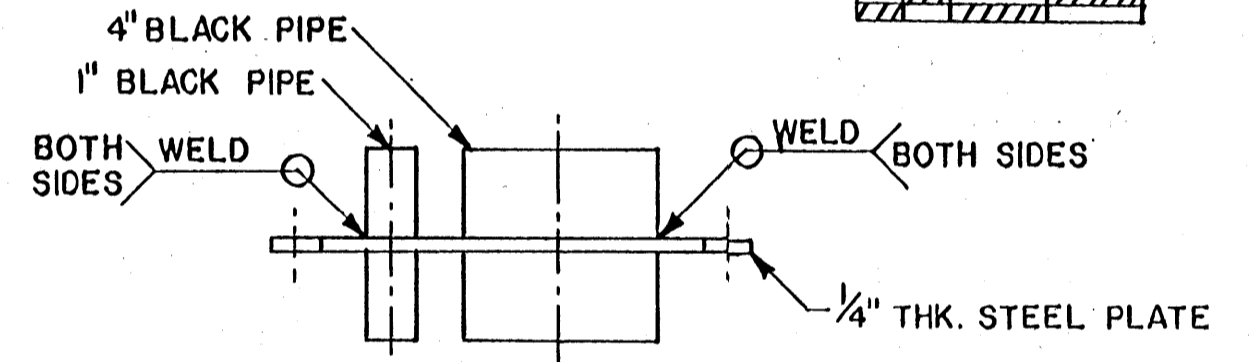
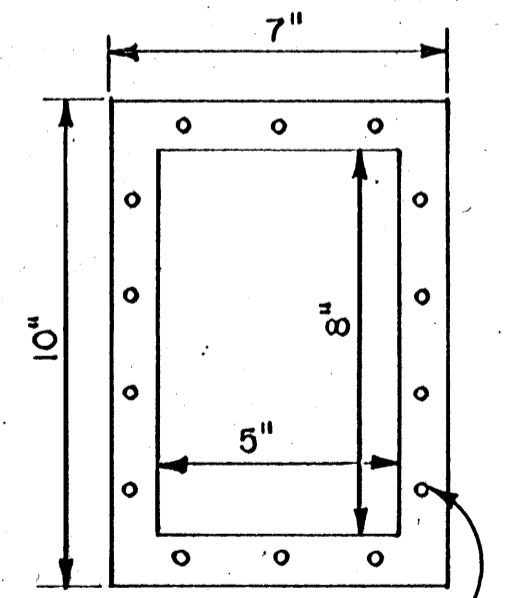
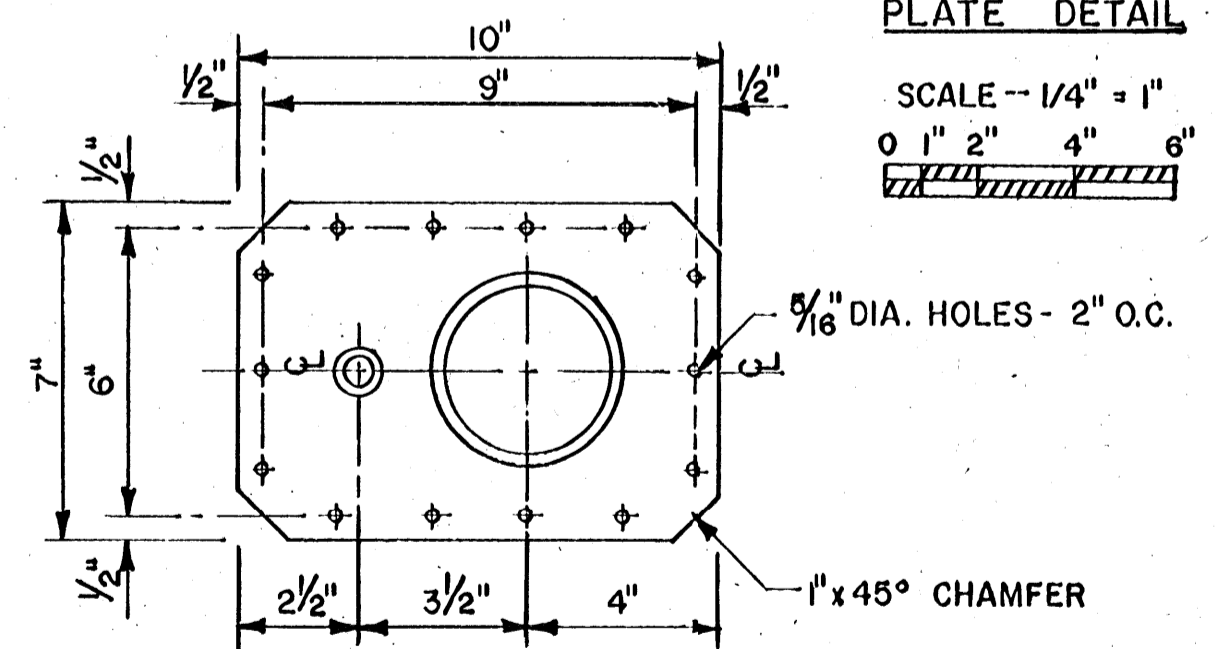


PLATE DETAIL

SCALE -- 1/4" = 1"



5/16" DIA. HOLES TO MATCH HOLES IN PLATE ASSEMBLY  
STEEL RING  
SCALE: 1/4" = 1"  
MAT'L: 1/4" THK. STEEL PLATE  
0 1" 2" 4" 6"

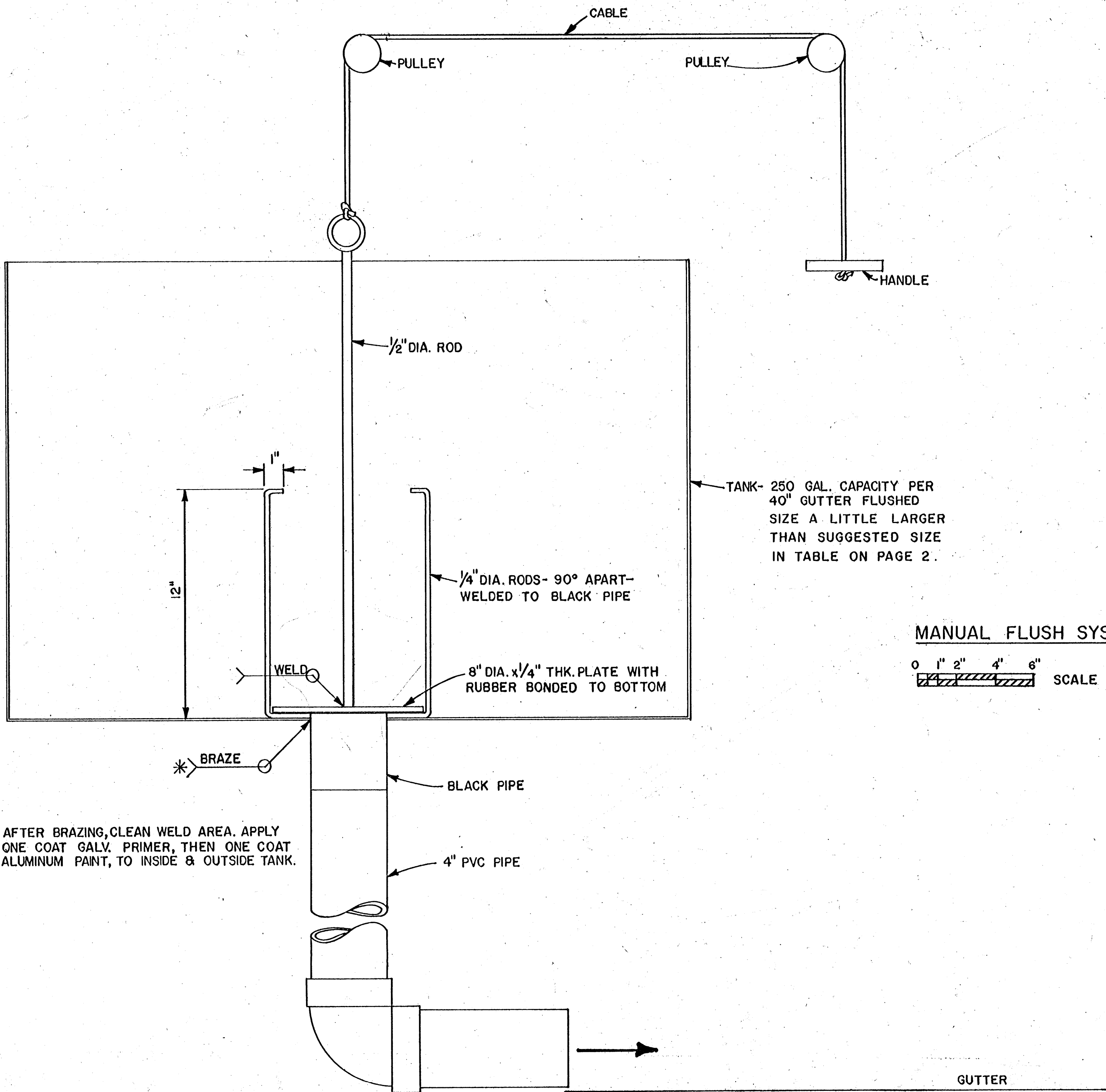
AUTOMATIC SYPHON FLUSH SYSTEM

SCALE: 1/4" = 1" 0 1" 2" 4" 6"

COOPERATIVE EXTENSION WORK IN AGRICULTURE AND HOME ECONOMICS  
STATE OF MISSISSIPPI  
MISSISSIPPI STATE UNIVERSITY  
AND  
UNITED STATES DEPARTMENT OF AGRICULTURE COOPERATING

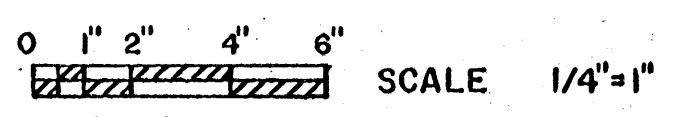
**FLUSH SYSTEMS**

SC 78    EX. 6349    SHEET 2 OF 3



TANK- 250 GAL. CAPACITY PER 40" GUTTER FLUSHED  
 SIZE A LITTLE LARGER THAN SUGGESTED SIZE IN TABLE ON PAGE 2.

**MANUAL FLUSH SYSTEM**



\* AFTER BRAZING, CLEAN WELD AREA. APPLY ONE COAT GALV. PRIMER, THEN ONE COAT ALUMINUM PAINT, TO INSIDE & OUTSIDE TANK.

COOPERATIVE EXTENSION WORK IN AGRICULTURE AND HOME ECONOMICS STATE OF MISSISSIPPI MISSISSIPPI STATE UNIVERSITY AND UNITED STATES DEPARTMENT OF AGRICULTURE COOPERATING		
<b>FLUSH SYSTEMS</b>		
SC 78	EX. 6349	SHEET 3 OF 3