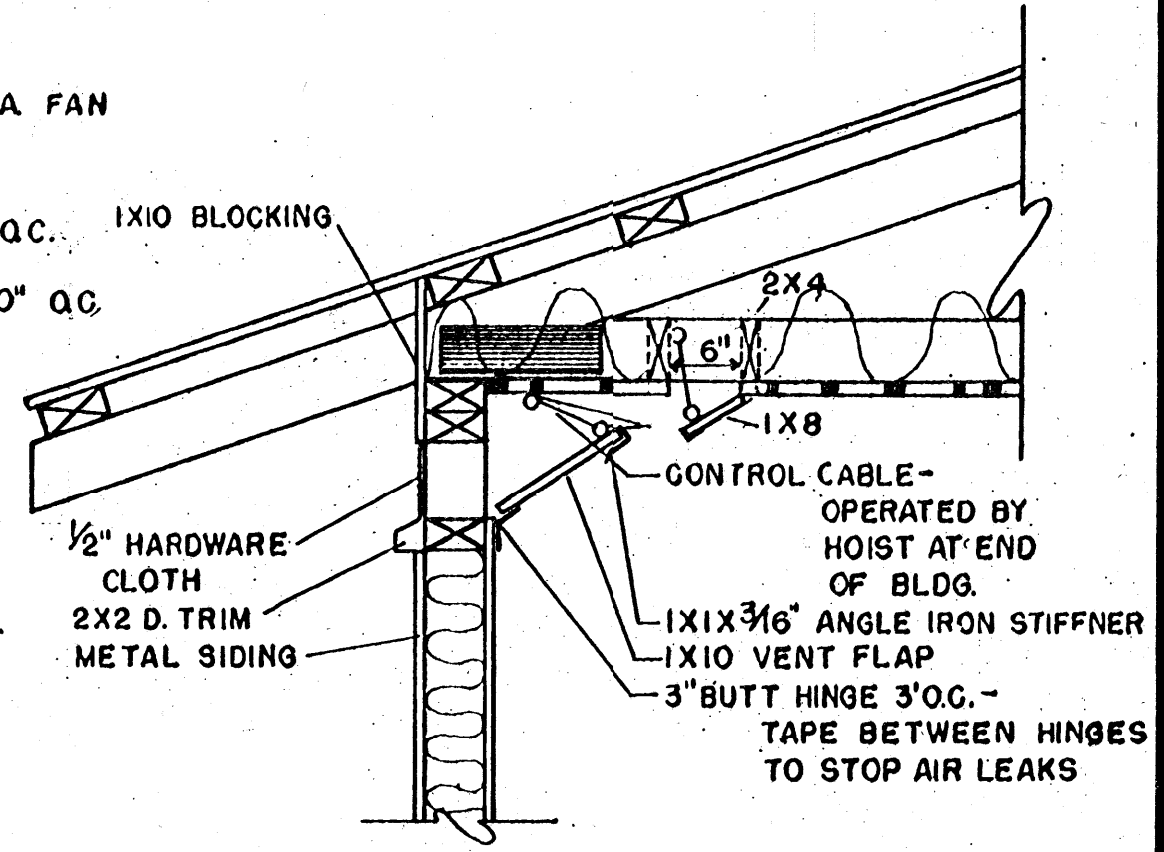
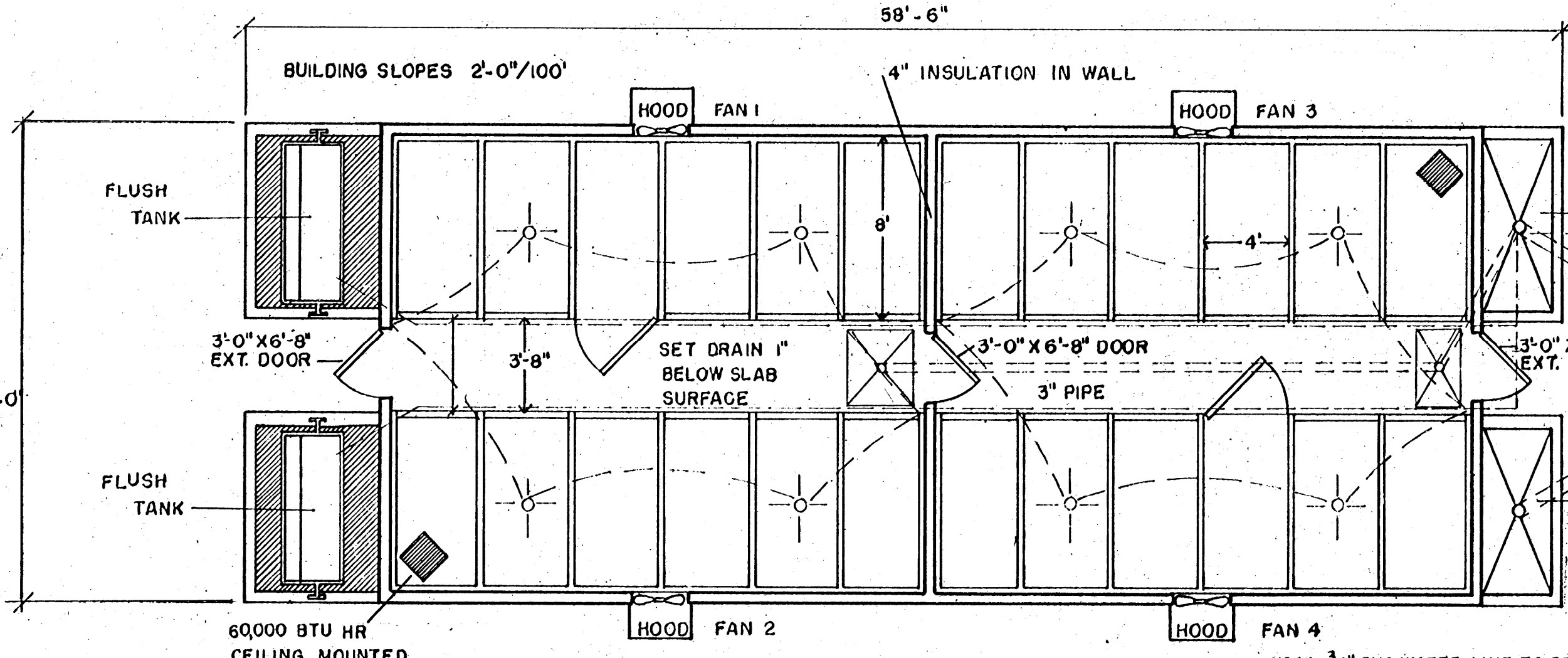
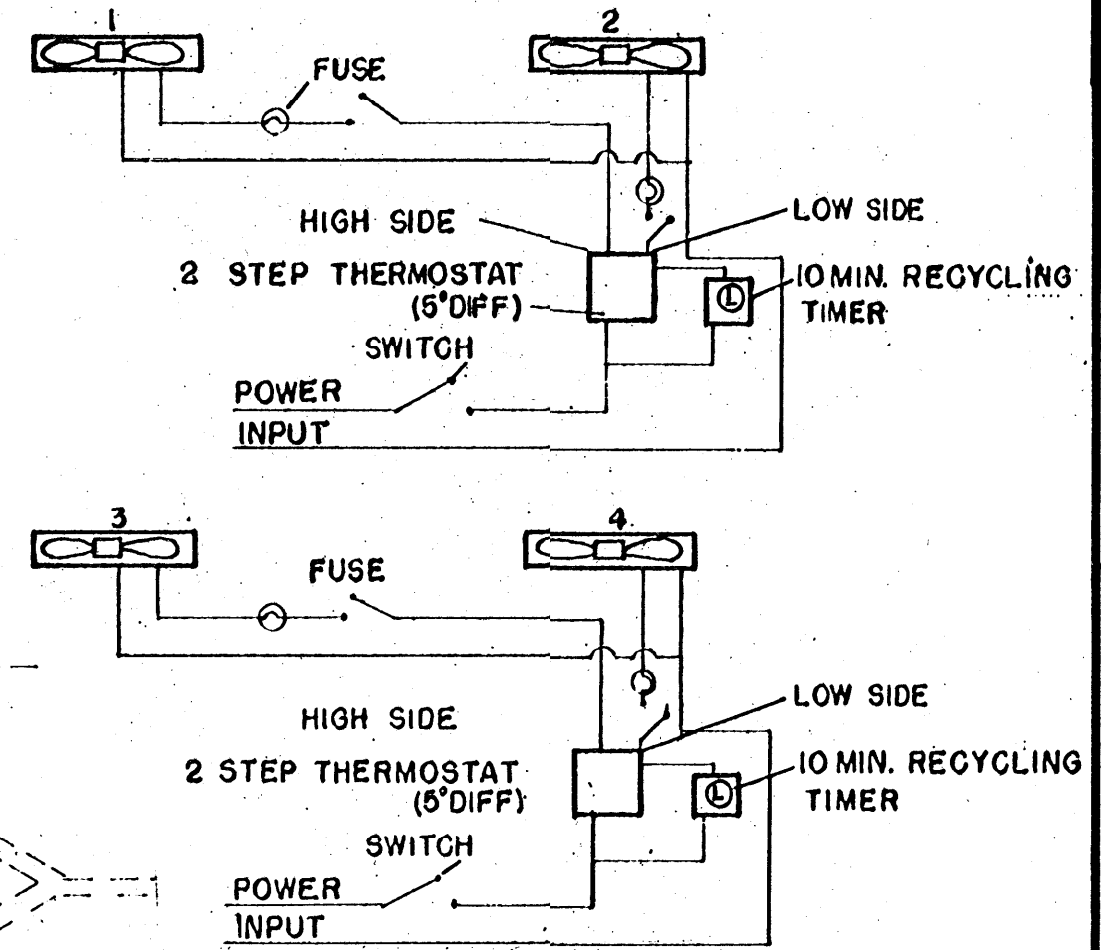


HOT WEATHER
 FANS 1 & 3 CONTROLLED BY LOW SIDE OF 5' DIFFERENTIAL STEP THERMOSTAT, FANS 2 & 4 CONTROLLED BY HIGH SIDE.

COLD WEATHER
 USE TIME CLOCK TO OPERATE FANS 1 & 3 APPROX. 20% OF TIME, (2 MIN. IN 10) FOR MOISTURE REMOVAL AND TO MAINTAIN HUMIDITY AT 65-70% IN BUILDING, MAINTAIN TEMPERATURE AT 80°F



CROSS SECTION
 SCALE 1/2"=1'-0"



NOTE: SEE PLAN 6351 SHEET 1 FOR FLUSH TANK AND SUMP DETAILS

NOTE: 3/4" PVC WATER LINE TO BE RUN IN CEILING BUT DROPPED DOWN AT FLUSH TANK

ALL FANS: 6000 CFM AT 1/8" S.P.

PLAN
 SCALE 3/16"=1'-0"

COOPERATIVE EXTENSION WORK IN
AGRICULTURE AND HOME ECONOMICS
 STATE OF MISSISSIPPI
 MISSISSIPPI STATE UNIVERSITY
 AND
 UNITED STATES DEPARTMENT OF AGRICULTURE COOPERATING

CAGE NURSERY - SINGLE DECK

AL '83	EX. 6353	SHEET 1 OF 1
--------	----------	--------------