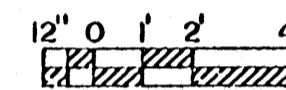
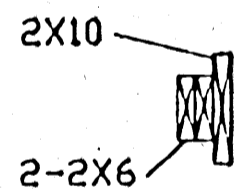
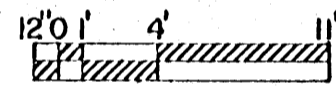


PLAN VIEW
RIDGE AND OVERHANG GIRDER
KNEE BRACE AND CABLE SUPPORT

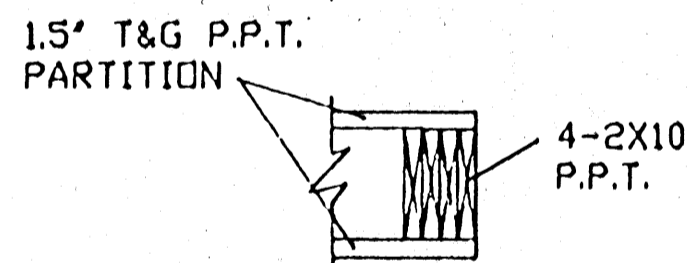
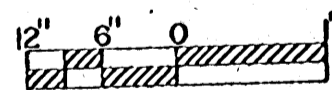
SCALE 1/4" = 1'-0"



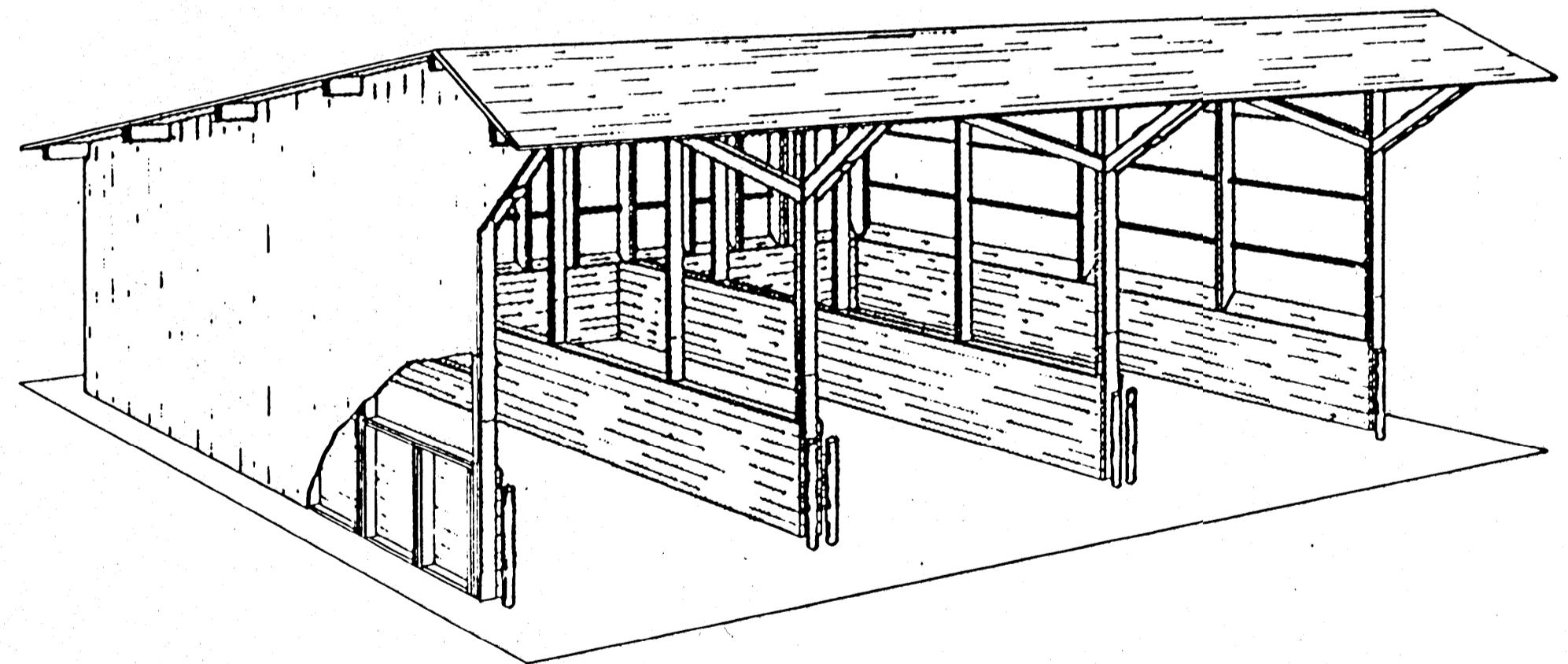
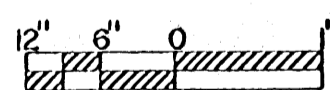
PLAN VIEW
SCALE 1/8" = 1'-0"



POST SECTION
10' ABOVE FLOOR
SCALE 3/4" = 1'-0"



POST SECTION
BELOW PLATE
SCALE 3/4" = 1'-0"



PERSPECTIVE

DESIGN CRITERIA:

SALT-SAND LOAD 100 P.C.F. FLUID EQUIVALENT,
5.5' MAX. DEPTH FOR 1500 F POST & T&G PLANKING

ROOF LOADS, GIRDERS & DECKING
FOR 52 P.S.F. USE 1850 F LUMBER
FOR 42 P.S.F. USE 1500 F LUMBER
FOR 25 P.S.F. USE 875 F LUMBER

WIND LOAD 15 P.S.F. OR 76.5 MPH

NAILING PATTERN, TWO ROWS 1" FROM EDGES, BOTH SIDES

4-2X12 BEAM- 5' L. POLE BARN NAILS 18" O.C. STAGGERED
4-2X10 POST- 5' L. (GALV. BELOW GRADE), 14" O.C. STAGGERED
2-2X6 + 2X10 POST- 4' L. POLE BARN NAILS, 12" O.C. STAGGERED

NOTES:

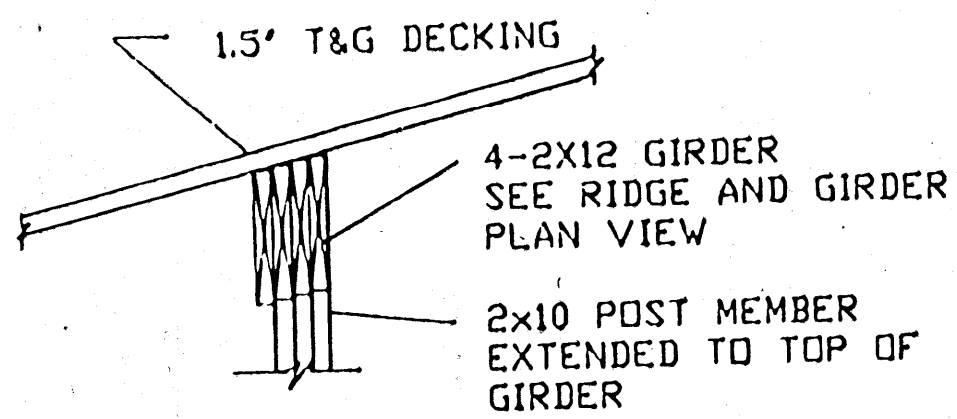
MAX. CAPACITY PER BAY = 142 CU YDS. (190 TONS)

CAUTION: ENTIRE SITE SHOULD BE PAVED AND SURFACE
RUNOFF COLLECTED AND DISPOSED OF PROPERLY TO
PROTECT GROUND WATER.

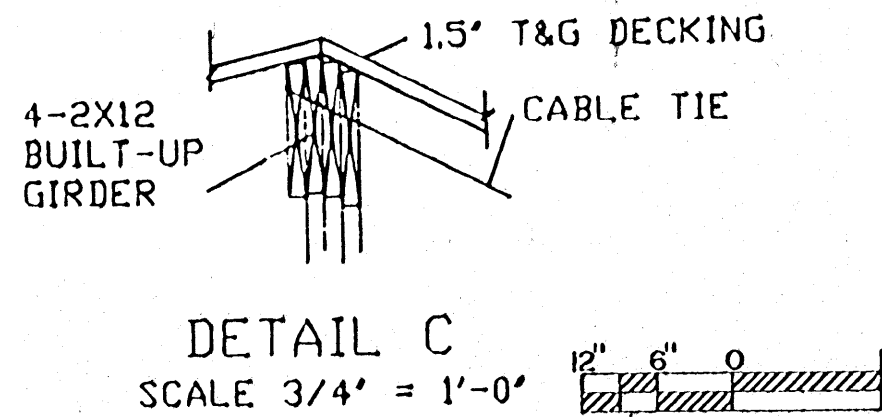
COOPERATIVE EXTENSION SERVICE
AGRICULTURE AND HOME ECONOMICS
STATE OF MISSISSIPPI
MISSISSIPPI STATE UNIVERSITY
AND
UNITED STATES DEPARTMENT OF AGRICULTURE COOPERATING

SALT-SAND STORAGE SHED

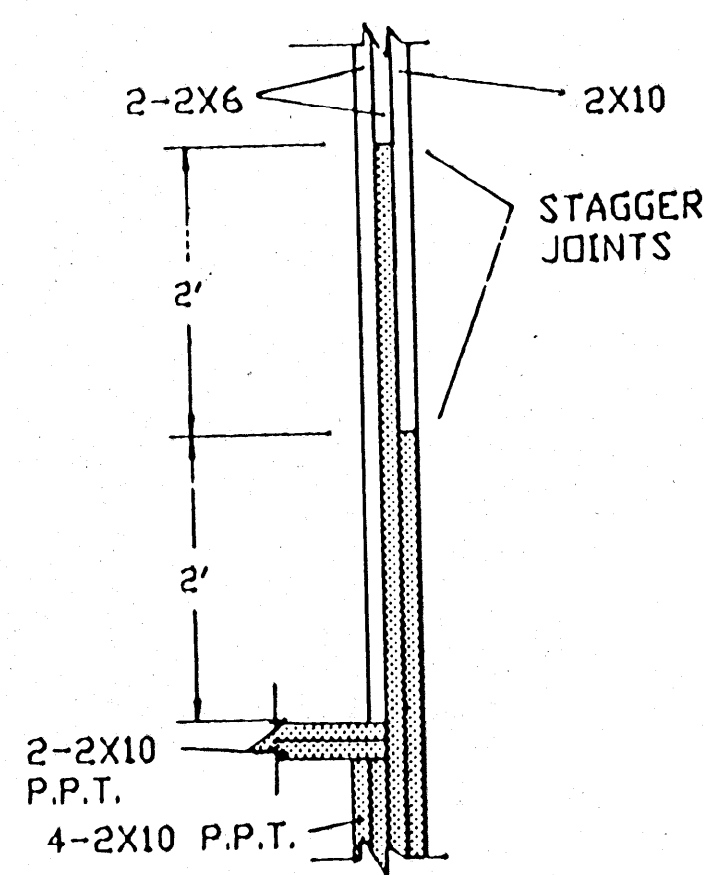
NY. '86 6382 SHEET 1 OF 2



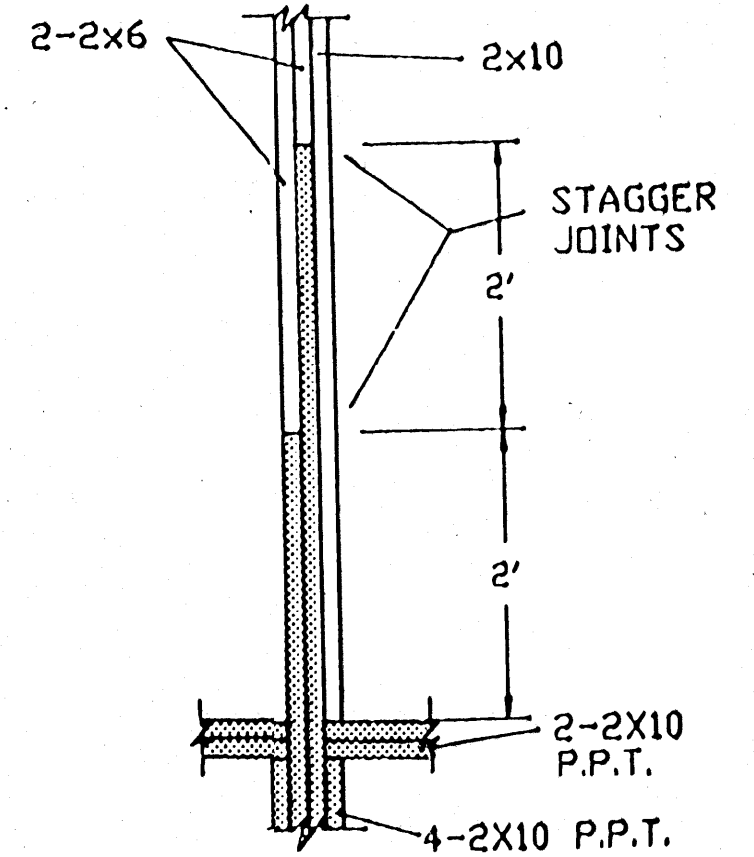
DETAIL B
SCALE 3/4" = 1'-0"



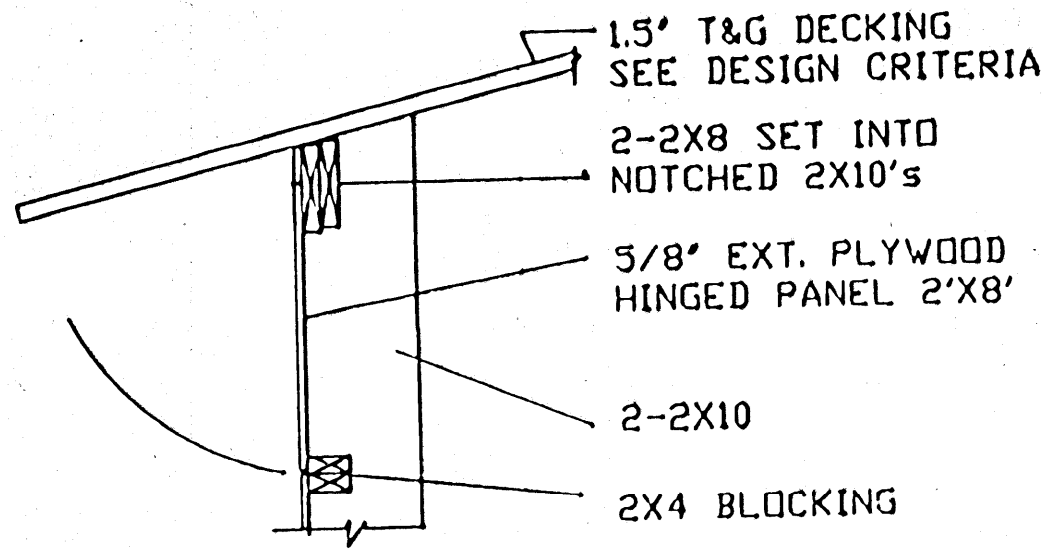
DETAIL C
SCALE 3/4" = 1'-0"



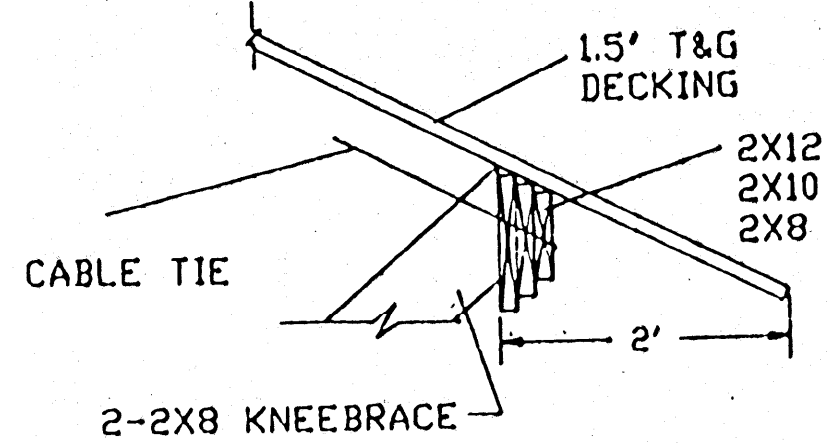
DETAIL E
SCALE 3/4" = 1'-0"



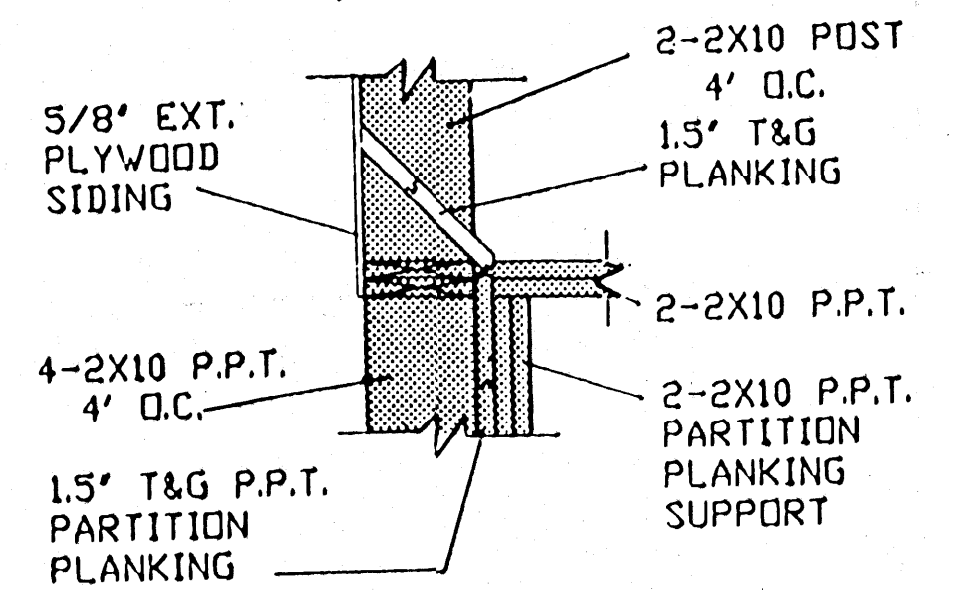
DETAIL F
SCALE 3/4" = 1'-0"



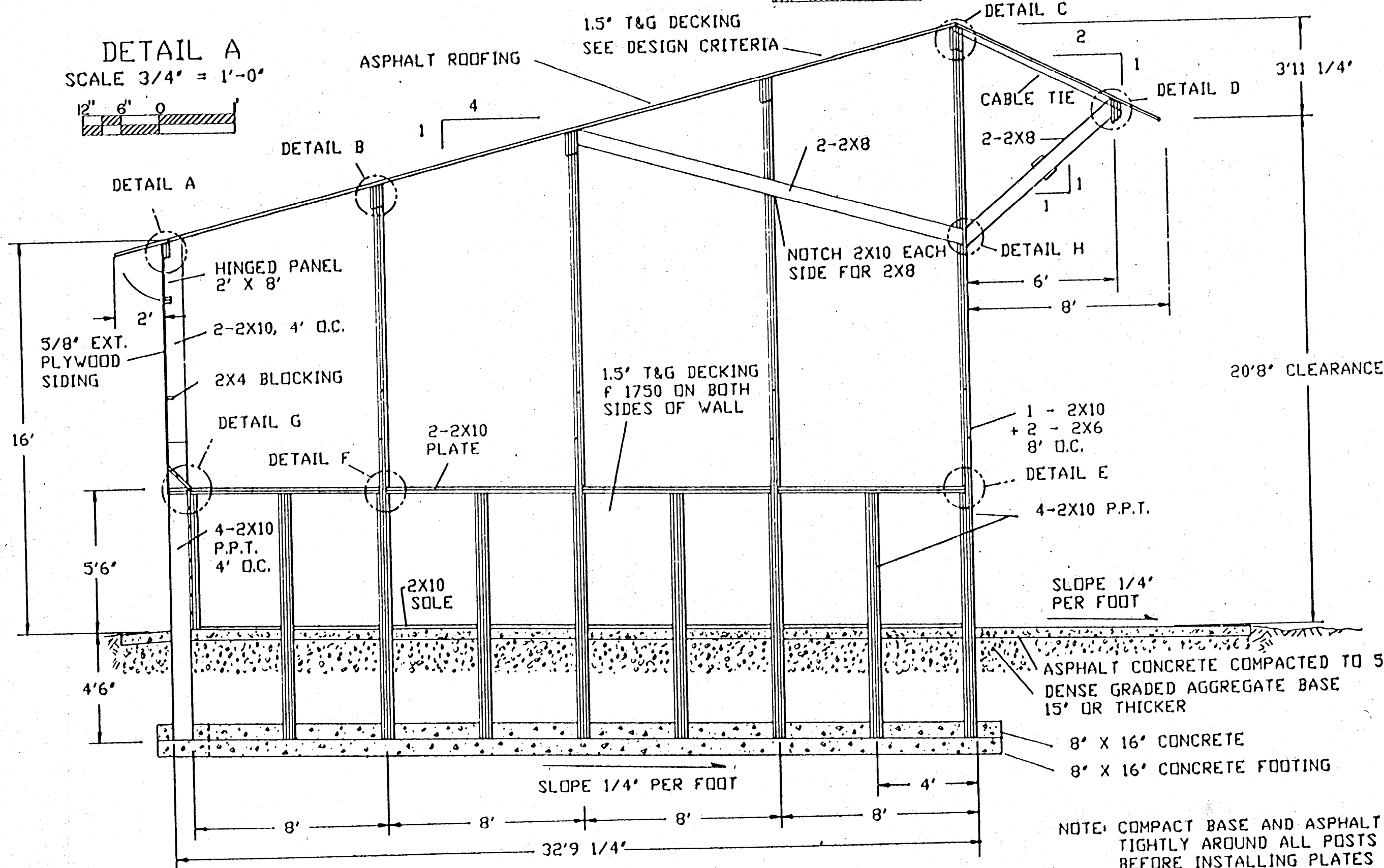
DETAIL A
SCALE 3/4" = 1'-0"



DETAIL D
SCALE 3/4" = 1'-0"



DETAIL G
SCALE 3/4" = 1'-0"



CROSS SECTION
SCALE 1/4" = 1'-0"

COOPERATIVE EXTENSION SERVICE
AGRICULTURE AND HOME ECONOMICS
STATE OF MISSISSIPPI
MISSISSIPPI STATE UNIVERSITY
AND
UNITED STATES DEPARTMENT OF AGRICULTURE COOPERATING

SALT-SAND STORAGE SHED

NY. '86	6382	SHEET 2 OF 2
---------	------	--------------

NOTE: COMPACT BASE AND ASPHALT CONCRETE TIGHTLY AROUND ALL POSTS BEFORE INSTALLING PLATES AND SOLE